

Fixing assembly for cold deck

Interfaces de fixation pour bac froid
Fijación sobre chapa metálica
Befestigungsvorrichtung für Trapez- und Wellblech

Code N° LDV036

FALLPROTEC

January 2019

Description

The fixing assembly LDV036 is used for intermediate anchors on corrugated metal sheet roofs with thickness 0,63mm. Thanks to its unique design, it distributes homogenously the pull out force on the roof. Supplied with special self-drilling screws and sealing tape.

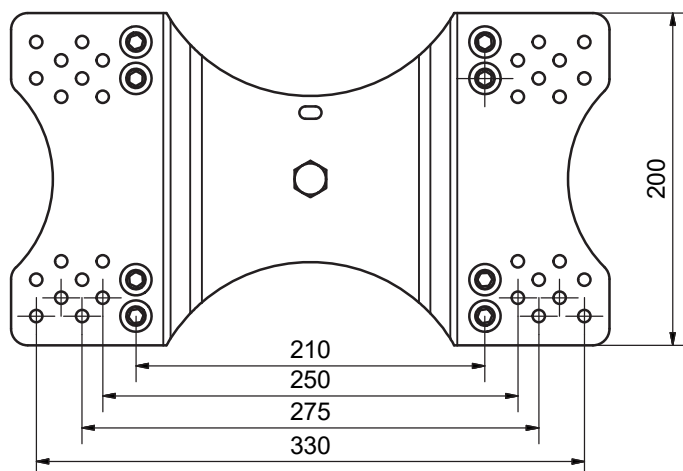
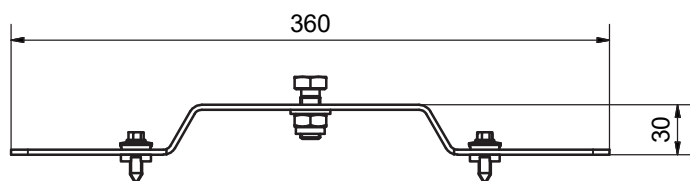
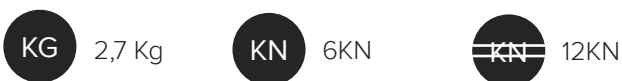


Compliant with EN795:2012
CEN/TS 16415:2013
MADE IN EU



Material

AISI 304



LDV036