

NAV2 mobile anchor point

Point d'ancrage mobile NAV2

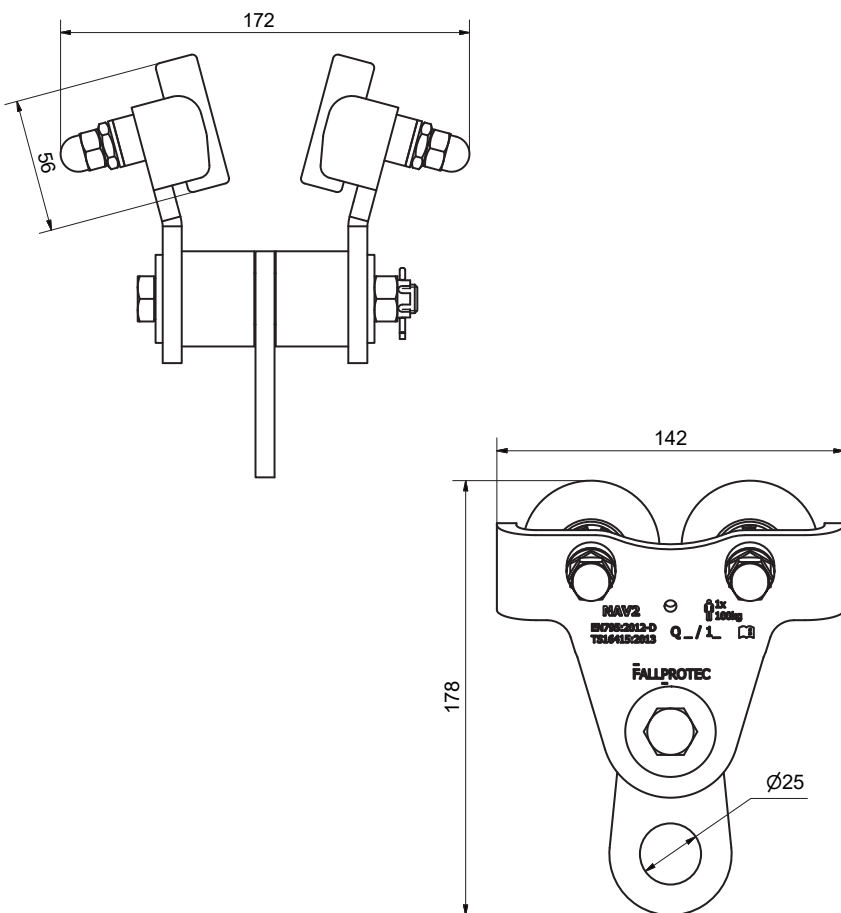
Punto de anclaje móvil NAV2

Mobiler Anschlagpunkt NAV2

Code N° MHS023

Description

The NAV2 is a robust fall arrest trolley. Equipped with rollers, it follows the movements of the end user easily, even with a heavy retractable block. Combined with the SafeAccess, it is the safest choice for loading bays or intensively used lifelines.



FALLPROTEC

December 2018



Compliant with EN795:2012
MADE IN EU

apave

Material

AISI 304

