


FALLPROTEC

Height Safety Products


+352 26 55 09 30 | www.fallprotec.com



FALLPROTEC
SECUROPE QUICKSET

 Cliquer ici pour voir la page produit en ligne



 Mât télécom, Luxembourg

LIGNE DE VIE À CÂBLE POUR TRAVAUX À LA VERTICALE

La Quickset de Fallprotec est une ligne de vie verticale pouvant être installée rapidement et facilement. La Quickset est modulaire, une solution de choix pour les travaux sur pylônes, éoliennes ou toute autre structure verticale.

EN353-1:2014 | Règlement EPI 2016/425

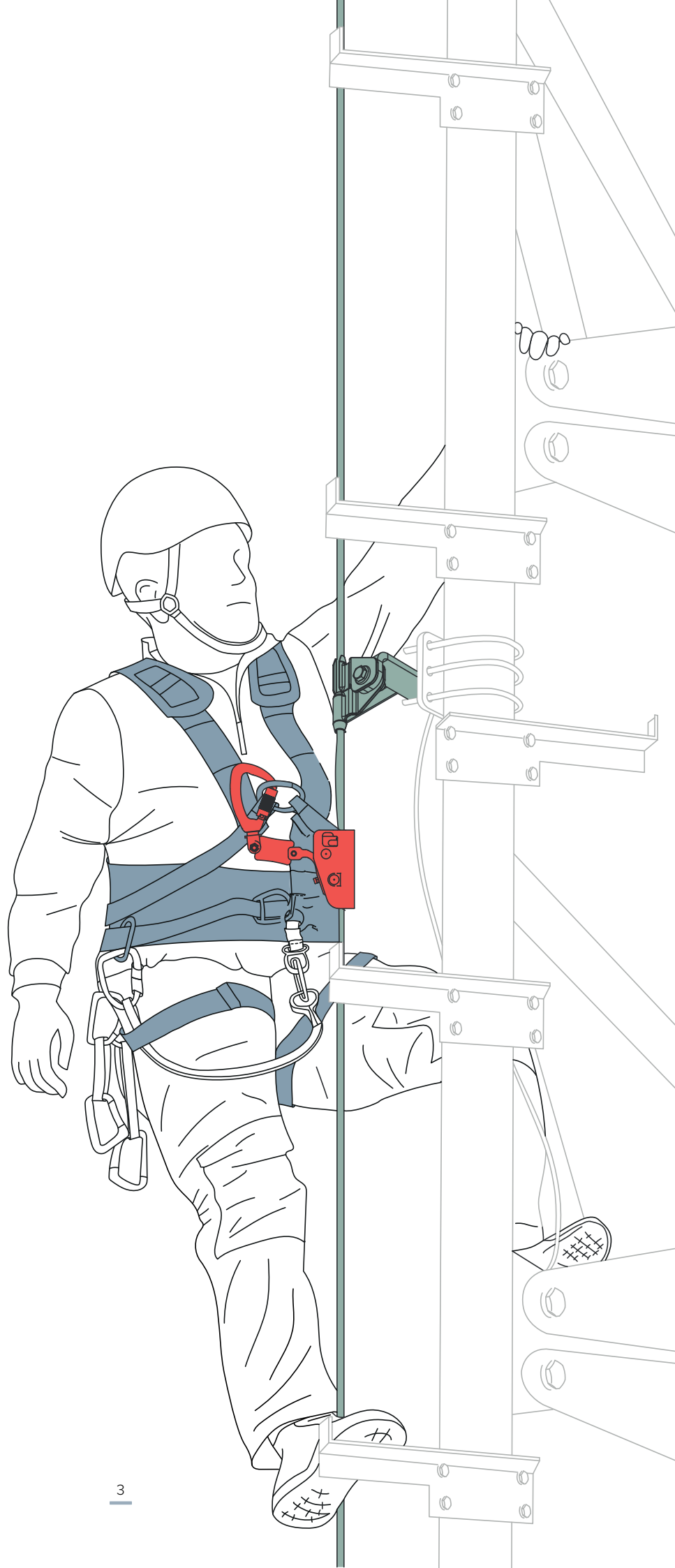
  

OSHA 19010.29 | ANSI A14.3

Accéder et travailler facilement en hauteur

La ligne de vie Securope Quickset a été testée et certifiée selon les normes américaines et européennes.

- Système sans sertissage
- Coulisseau ouvrant
- Overriding glider on the intermediate anchors
- Span between anchors: 10m (32'8")
- For stainless steel cables, approved on galvanized cables
- Cable vibration absorption system
- ★ Intermediate anchors clipped on the cable, can easily be retrofitted on a lifeline



Applications:



Ladders



Pylones



Windmills



Telecom masts



Vertical structures



Industry

Absorber on the lifeline

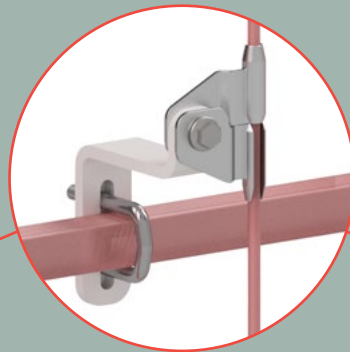
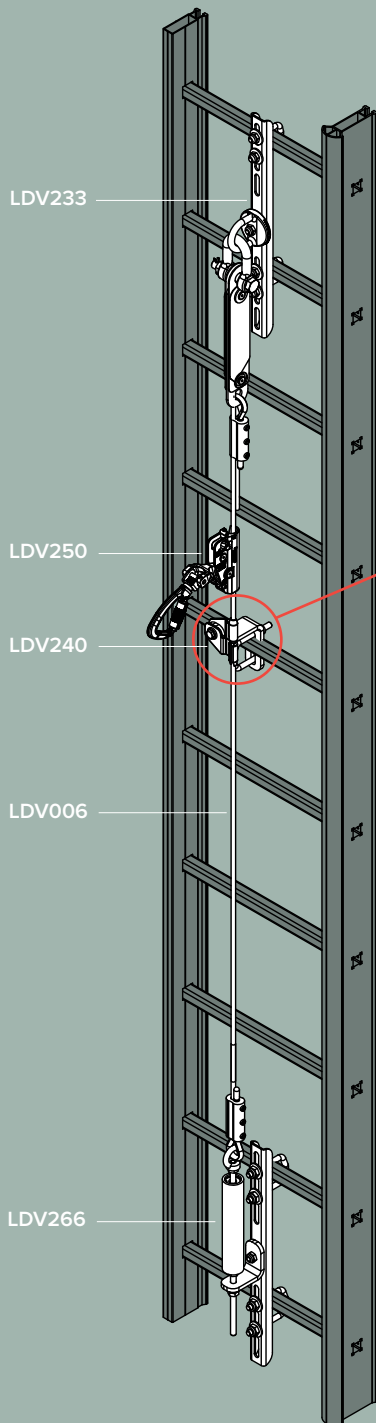


AISI 304

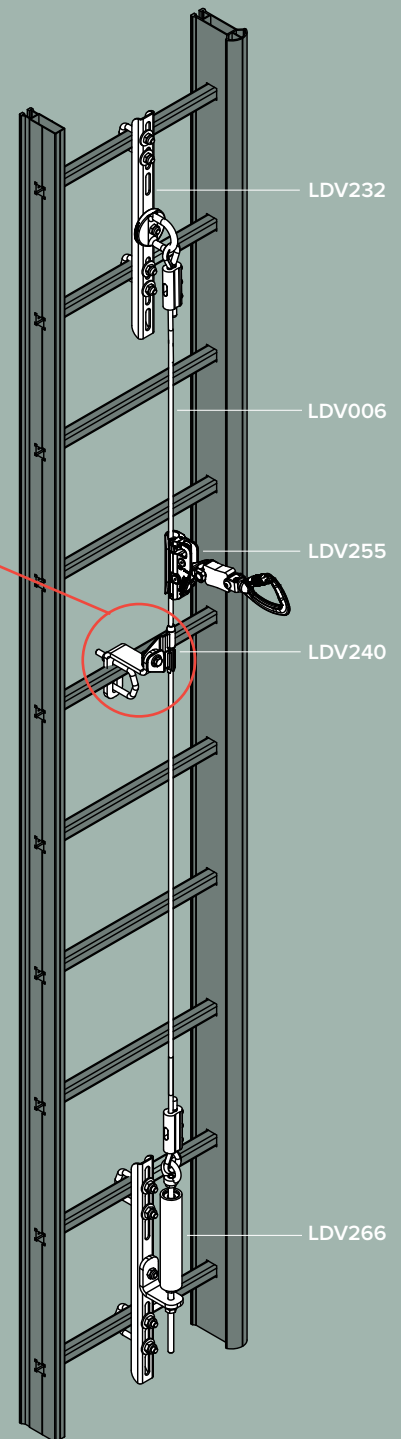
Absorber on the glider



AISI 304



Intermediate anchors clipped on the cable, can easily be retrofitted on a lifeline. Span between anchors 10m (32'8")

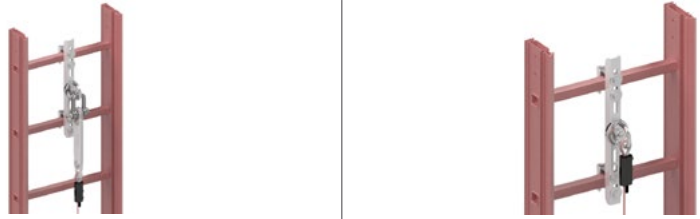


Easy mounting in three steps

 Click here to follow the product YouTube playlist

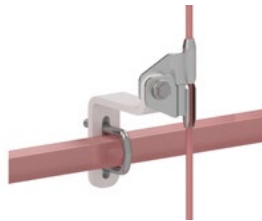
1. Install the top anchor


LDV232 or LDV233 (with energy absorber)



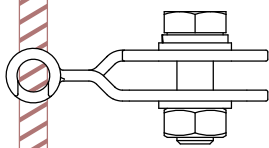
2. Install the intermediate anchors

LDV240



 Intermediate anchors clipped on the cable, can easily be retrofitted on a lifeline

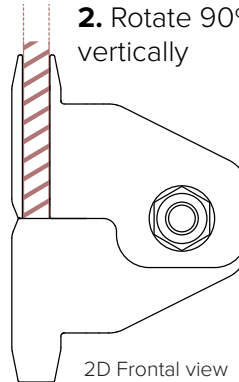
1. Position on cable perpendicularly



2D Frontal view

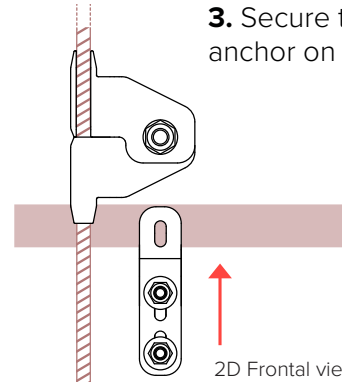


2. Rotate 90° vertically

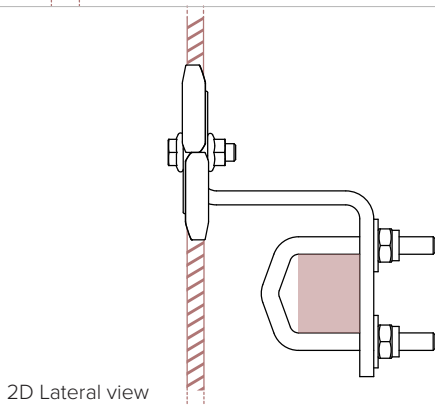


2D Frontal view

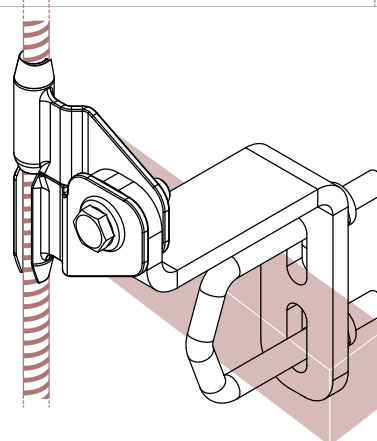
3. Secure to an anchor on rung



2D Frontal view



2D Lateral view



3D Diagonal view

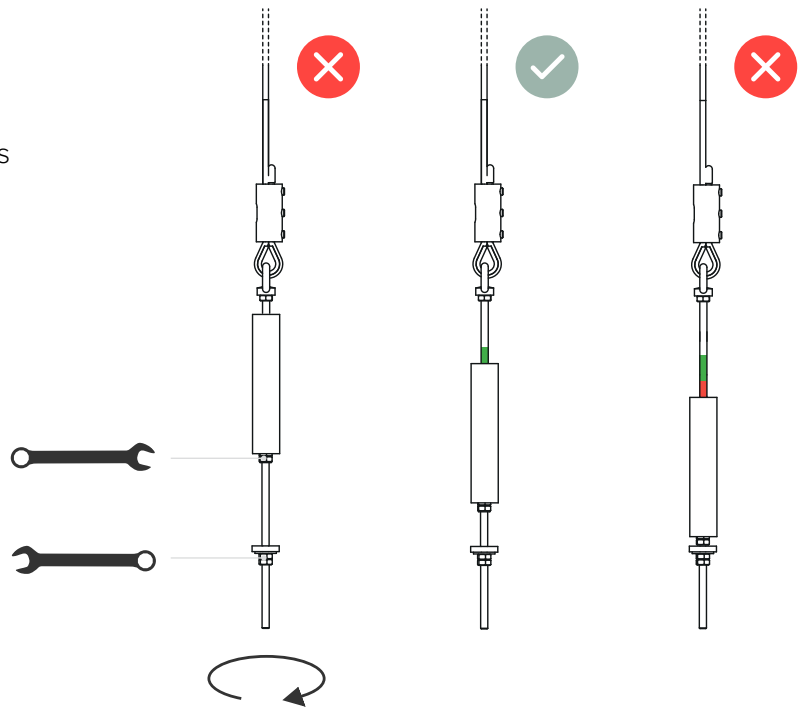
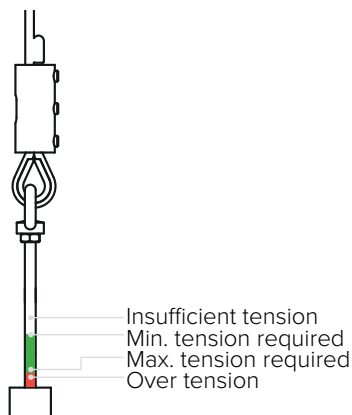
3. Install the bottom anchor and tension

LDV266



Bottom tensioner indicator

When tensioning the lifeline, take the colour code into account. Green indicates proper tension, red too high tension and no colour insufficient tension.



The fallarresting glider ZIP!

An automatic brake mechanism is integrated in the glider. The glider follows the operator without manipulation in any direction (up and down). The glider can be opened by the user. A clip-lock system avoids handling errors.

With energy absorber

Energy absorber fixed on the glider. The glider locks instantly in case of a fall, triggering the energy absorption device. For a lifeline with up to 4 users simultaneously.

LDV255



Without energy absorber

Energy absorber must be permanently fixed on the top anchor. For a lifeline with max. 1 user.

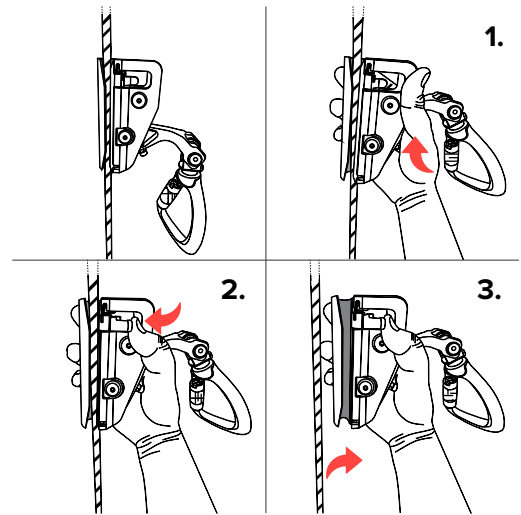
LDV250



Assembly and dismantling

Assembly: Rotate the cam upwards and introduce the Securope QuickSet fall arrester on the wire cable, the security will automatically opened by pushing the Securope QuickSet on the wire cable.

Dismantling: **1.** Rotate the cam upwards, **2.** push the trigger to open the security and **3.** take the Securope QuickSet out of the line.



Mounting and user equipment

A

Anchorage

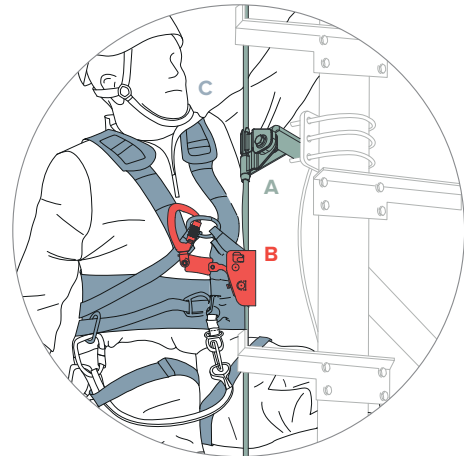
Structure capable of supporting a fall arrest situation.

Fallprotec lifeline systems:

The Securope Quickset Lifeline is available in two configurations: with energy absorber on top of the lifeline or with energy absorber on the glider. Both systems are suitable for intensive use in complex environments. All components are in stainless steel for greater durability.

Fixing brackets:

Fallprotec has designed an entire range of fixing assemblies suitable for various rung sizes. The internal engineering department of Fallprotec also offers bespoke fixation assemblies on demand.



B

Connecting Devices

PPE Equipment connecting the operator to the system, restraining them in case of a fall. The PPE are designed to limit the energy transmitted to the user to a maximum of 6KN.

Fallprotec PPE:

LDV255: Glider without energy absorber, to be combined with a lifeline fitted with energy absorber on its top anchor.

LDV250: Glider with energy absorber. Compatible with all systems.

C

Body Support

A safety harness is a personal protective equipment (PPE) that is designed to catch a person in the event of a fall. Our Prolight harness diffuses fall arrest energy across the shoulders, thighs and pelvis.

Anchorage elements

EN353-1: 2014



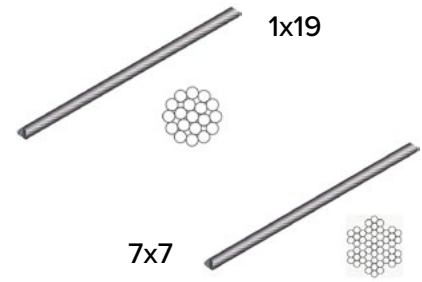
Quickset extension on ladder without energy absorber
NSV018

KG 10,0 lb 22,0



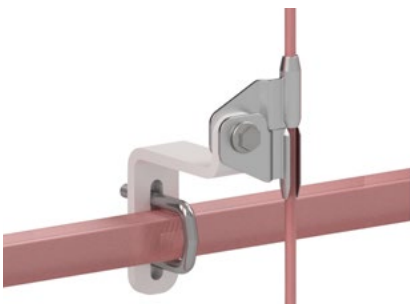
Quickset extension on ladder with energy absorber
NSV021

KG 11,4 lb 25,1



Stainless steel cable
LDV006 (7x7)
LDV005 (1x19)

KG 0,3 lb 0,66



Intermediate anchor on ladder between rungs
LDV241

KG 0,6 lb 1,30



Top anchor on ladder without energy absorber
LDV232

KG 1,6 lb 3,50



Top anchor on ladder with energy absorber
LDV233

KG 3,0 lb 6,60



Bottom anchor on ladder fitted with tensioner
LDV266

KG 2,3 lb 5,10

Body support

Harness Prolight Kit | EN361:2012



2 anchor points lightweight harness. Sizes M, L or XL
HAR103 M
HAR104 L
HAR105 XL

x 1 1,33 2,90

Fallprotec's SecuRope vertical lifelines worldwide

[Click here to view more
case studies worldwide
on our website](#)



CHOOSING FALLPROTEC MEANS

- One reference for global assistance
- Certified by notifying bodies as per latest European standard
- Quality control: ISO9001:2015.
E.C. Quality of Production « Article 11B »
- Product liability insurance
- Warranty
- One-Stop-Shop



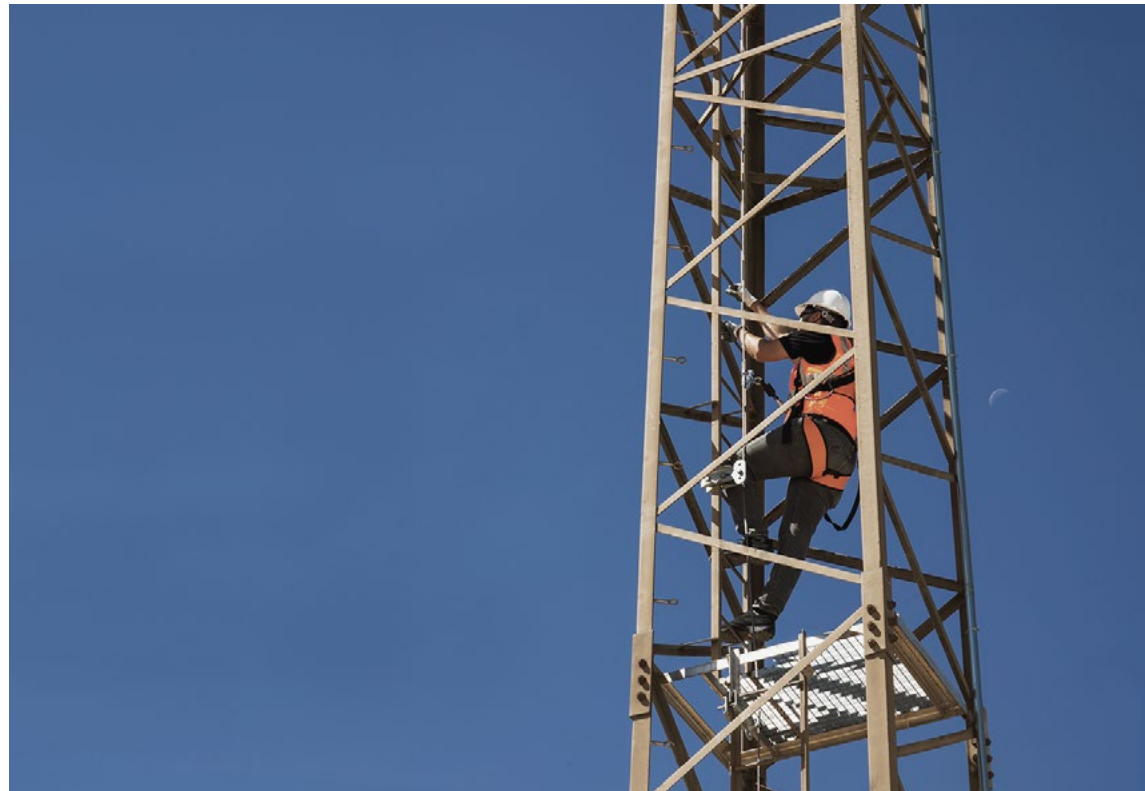
📍 Residential Ladder
Barcelona, Spain



📍 Telecom mast
Luxembourg



📍 Sevitrade - liquid/solid bulk storage
Sevilla, Spain



📍 ArcelorMittal
Borcelik, Turkey



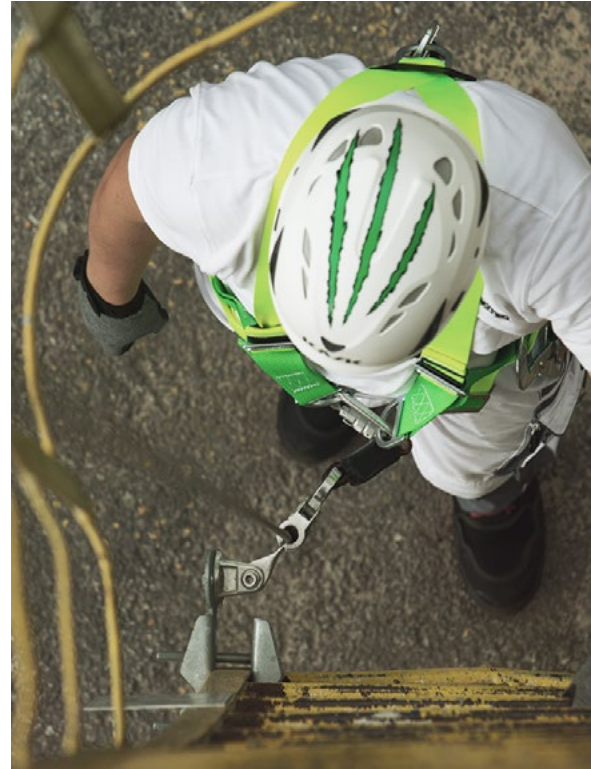
📍 SiderPeru Gerdau Group
Chimbote, Peru



📍 Weather towers
Valle de Elorz, Spain



📍 Henkel - laundry production
Poland



FALLPROTEC SA

43-45 ZA Op Zaemer
4959 Bascharage
Luxembourg
T: +352 26 55 09 30
F: +352 26 55 09 30 55
marketing@fallprotec.com

FALLPROTEC SL

Eduard Calvet i Pintó 4
Pol. Ind. Vallmorena
08339 Vilassar de Dalt
Spain
T: +34 93 114 22 31
info@fallprotec.es

FALLPROTEC CHINA

Room 213, Building 6
No. 398, Jinglian Road
Minhang District
Shanghai, China

T: +86 21 3126 8606
F: +86 21 2281 0168

+352 26 55 09 30
www.fallprotec.com

Follow us

fallprotec |    

FALLPROTEC

Height Safety Products

