

FALLPROTEC

Height Safety Products

+352 26 55 09 30 | www.fallprotec.com

FALLPROTEC SAFEACCESS FOR SUSPENDED WORKS





MONORAIL FOR HEIGHT SAFETY AND SUSPENDED WORKS

EN1808:2015

ASME/ANSI-A120.1-2014 & IWCA I-14.1

The SafeAccess rail is used in height access systems for façade cleaning and maintenance. It can be installed during the construction or on existing buildings, on façades, ceilings, canopies and rooftops.

An ultra-resisting height safety rail

The SafeAccess monorail has been tested and certified according to European standards.

- Most efficient system in terms of operational costs specifications
- Bespoke system, fitting your building. Our engineering department accompanies you for setting up the equipment
- Bendable on demand (minimal radius of 600mm)
- Low weight and maximum inertia
- Compatible with any type of architecture with a height between 5 and 250m
- Compatible with rope access technicians, RopeClimber, cradles and travelling ladders

Applications:



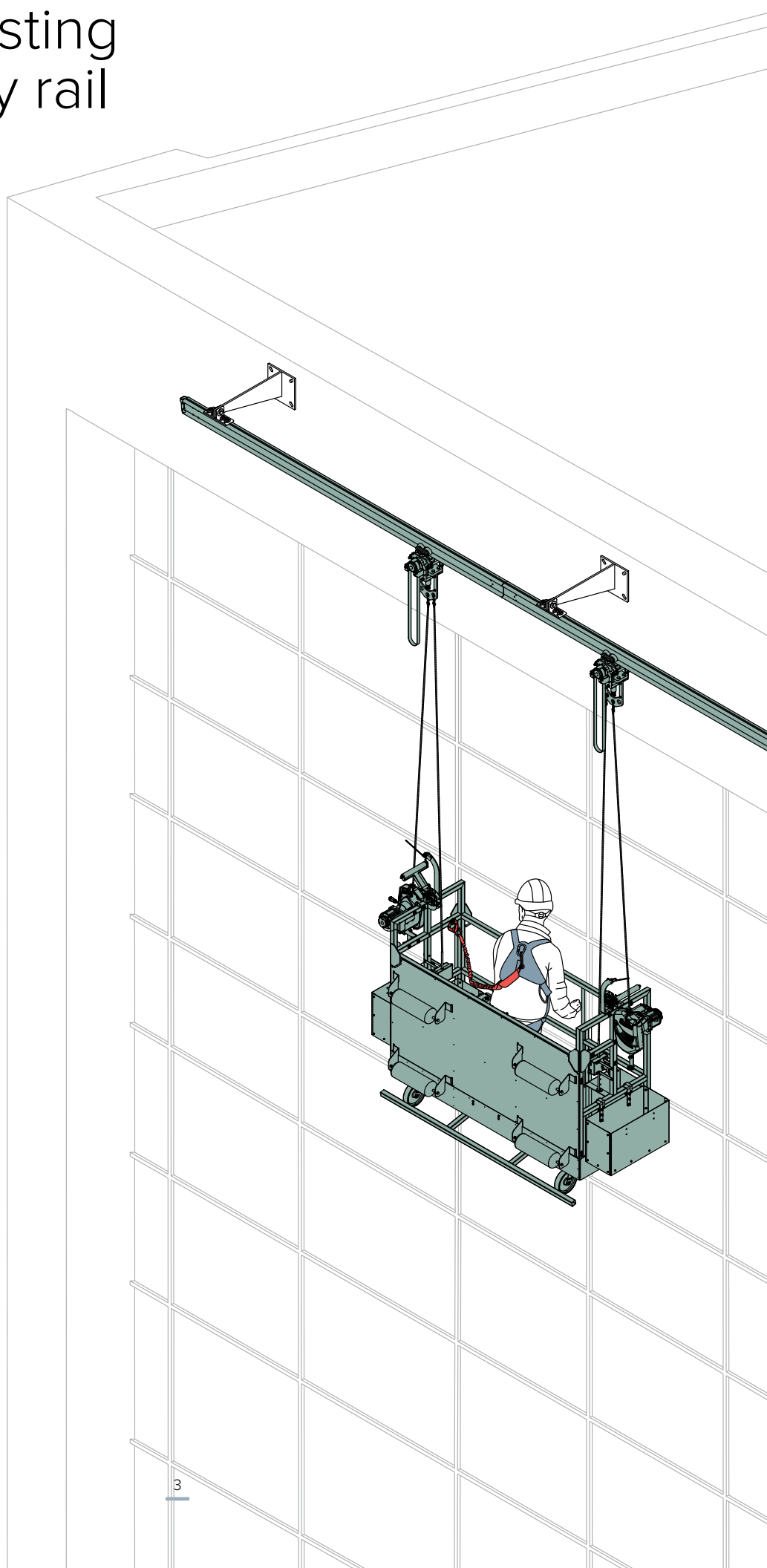
Rope
Access



Building
maintenance



Industry



SafeAccess rail for suspension works

A monorail system is a Building Maintenance Unit made of:

- a bracket connecting the rail to the building
- an aluminium rail
- high strength suspension trolleys
- suspended platform

By mastering all the aspects of the project, the engineering department ensures that the suspended platform reaches the entire facade safely.

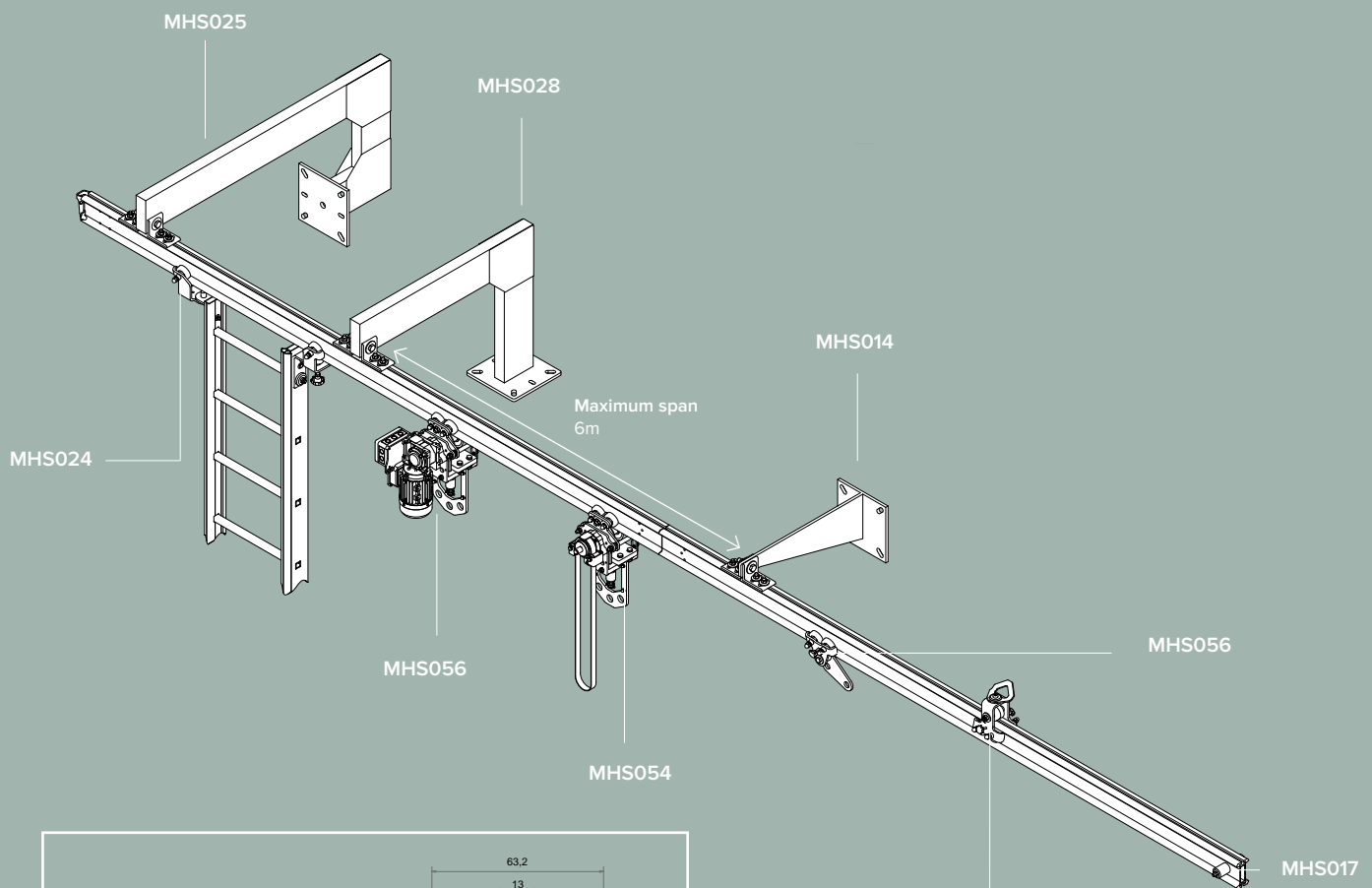
EN1808:2015



X 2 for rope access between supports

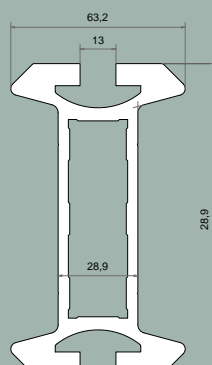


Click here to follow the product YouTube playlist



MHS059

- SafeAccess profile weights 5kg / meter.
- Delivered in lengths of 3000 or 6000mm
- Powder-coated in grey RAL7040 resisting seaside or anodized



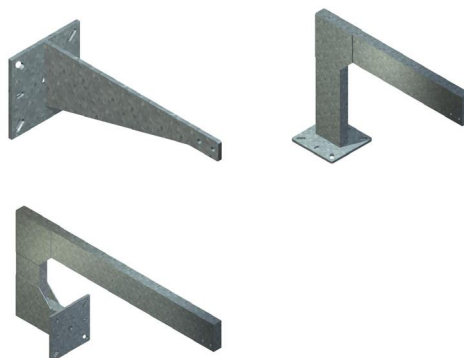
The NAV8 trolley equipped with rollers follows smoothly without any action from the end user.

SafeAccess brackets

The choice of the bracket depends of several parameters:

- host structure (concrete or steel beam)
- is the bracket fixed to the ceiling, wall or inside of a parapet
- type of suspended equipment
- presence of insulating material or decorative elements.

The engineer's department of Fallprotec creates bespoke designs, calculation notes, implantation drawings etc.



SafeAccess trolleys



NAV7 Trolley for rope access

Motorised trolley, recommended for distances over 100m.

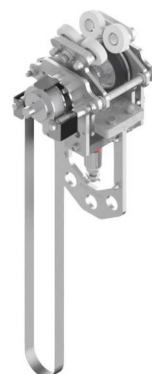
MHS048



NAV1 Trolley for suspension works

Traversing trolley with rope and pulley

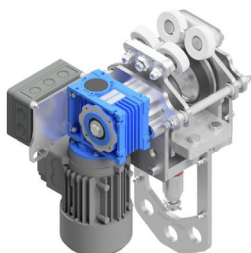
MHS054



NAV4 Trolley for suspension works

Motorised trolley, recommended for distances over 100m.

MHS056



NAV8 Trolley for fall arrest

Motorised trolley, recommended for distances over 100m.

MHS049



Fallprotec's SafeAccess worldwide

[Click here to view more
case studies worldwide
on our website](#)



CHOOSING FALLPROTEC MEANS

- One reference for global assistance
- Certified by notifying bodies as per latest European standard
- Quality control: ISO9001:2015.
E.C. Quality of Production « Article 11B »
- Product liability insurance
- Warranty
- One-Stop-Shop



📍 Apple
Tel Aviv, Israel



📍 Knightbridge
Manilla, Philippines



📍 Ven Amsterdam
Amsterdam, Netherlands



📍 Sandton mall
Sandton, South Africa



📍 Urban complex
Stockholm, Sweden



FALLPROTEC SA

43-45 ZA Op Zaemer

4959 Bascharage

Luxembourg

T: +352 26 55 09 30

F: +352 26 55 09 30 55

marketing@fallprotec.com

FALLPROTEC SL

Eduard Calvet i Pintó 4

Pol. Ind. Vallmorena

08339 Vilassar de Dalt

Spain

T: +34 93 114 22 31

info@fallprotec.es

FALLPROTEC CHINA

Room 213, Building 6

No. 398, Jinglian Road

Minhang District

Shanghai, China

T: +86 21 3126 8606

F: +86 21 2281 0168

+352 26 55 09 30

www.fallprotec.com

Follow us

fallprotec



FALLPROTEC

Height Safety Products

