

# FALLPROTEC

Height Safety Products

+352 26 55 09 30 | [www.fallprotec.com](http://www.fallprotec.com)



**FALLPROTEC**  
SAFEACCESS C



# MONORAIL FOR SUSPENDED WORKS

ASME/ANSI-A120.1-2014 & IWCA I-14.1

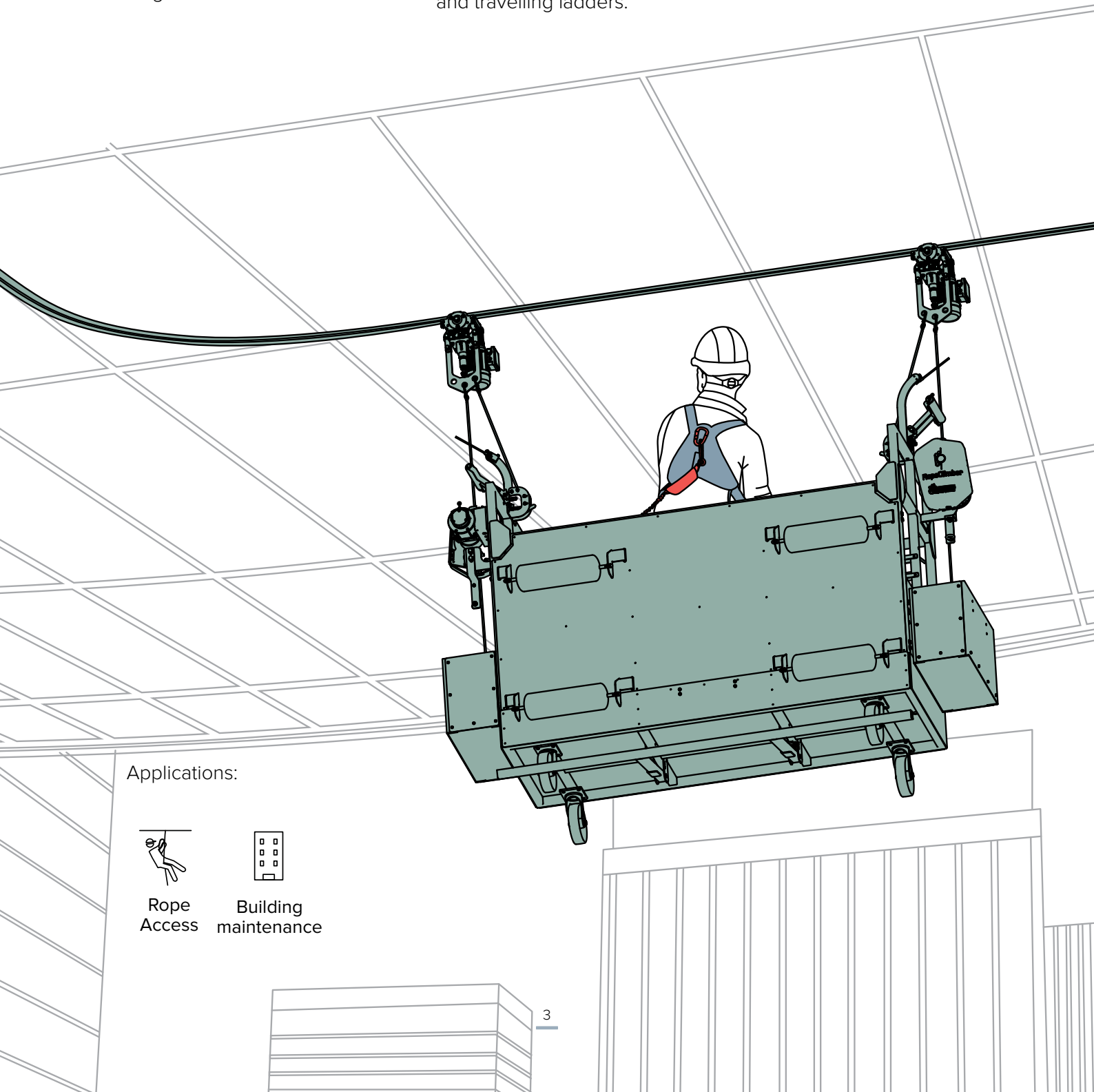
EN1808:2015 | 

The SafeAccess C is used in height access systems for façade cleaning and maintenance. This monorail is specially designed to be concealed in a false ceiling or building canopy. The C-shape enables the rail to blend in the environment. The trolleys run inside the channel of the profile.

# An invisible maintenance system for architectural buildings

The SafeAccess C is designed and tested as per European and USA standards for suspended access. The combination of bracket, rail, trolley and suspended platforms forms a Building Maintenance Unit.

- Compatible with any type of architecture with a height between 5 and 250m.
- Compatible with rope access technicians, RopeClimber, cradles and travelling ladders.
- Discrete solution.
- Bespoke system, fitting your building. Our engineering department accompanies you for setting up the equipment.



Applications:



Rope Access



Building maintenance

# SafeAccess C rail

The SafeAccess C rail is integrated in the suspended ceiling or the underside of the ceiling.

This solution is used for the maintenance and cleaning of façades inside the building.

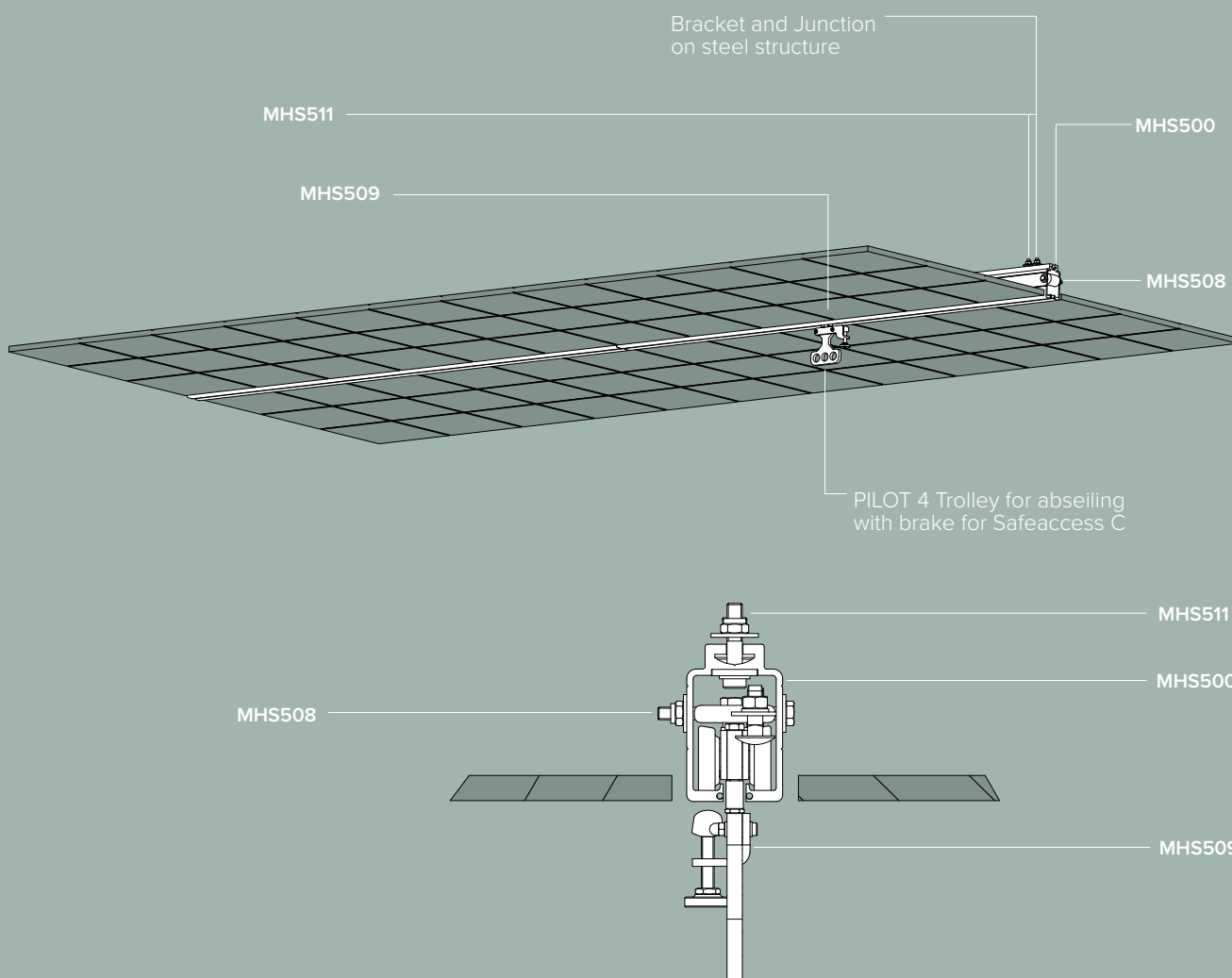
EN1808:2015



x 2  
rope access  
between supports

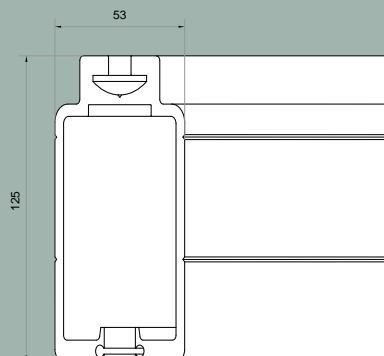


Click here to follow the product YouTube playlist



## MHS500

- SafeAccess C profile weights 5,65 kg / meter.
- Delivered in lengths of 3000 or 6000mm.
- Mill finish or anodized or powder coated any RAL colour depending of the project requirements.
- Bendeable any angle (minimum



# SafeAccess C brackets

The choice of brackets depends on 3 parameters :

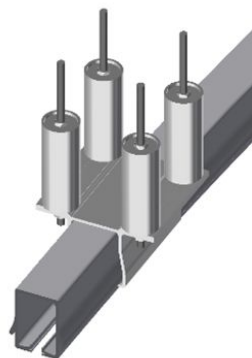
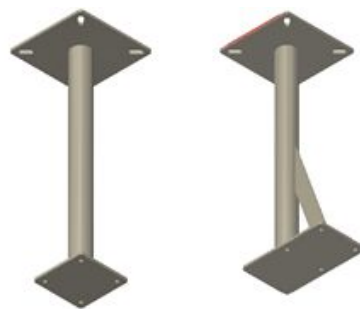
- The host structure. Is it concrete or steel beams ?
- The distance between the hoist structure and the false ceiling.
- Is an offset between the bracket

The target is to have the rail flush with the ceiling and at the appropriate distance from the facade.

For simple brackets, Fallprotec designs spacers to enable the rail to be flush with the ceiling.

For longer distances, Fallprotec manufactures rigid steel posts.

The engineer's department of Fallprotec creates bespoke designs, calculation notes, implantation drawings etc.

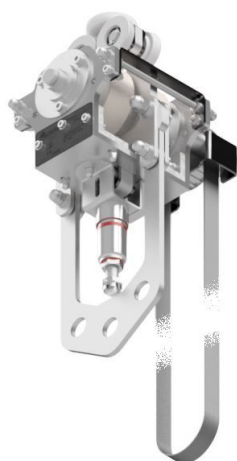


# SafeAccess C trolleys

## Pilot 1 Trolley

Traversing trolley with rope and pulley.

MHS503



## Pilot 4 Trolley

Trolley with manual translation for abseiling works. The trolley is equipped with a manual brake.

MHS509



## Pilot 2 Trolley

Motorised trolley, recommended for distances over 100m.

MHS504



# Fallprotec's SafeAccess C systems worldwide

[Click here to view more  
case studies worldwide  
on our website](#)

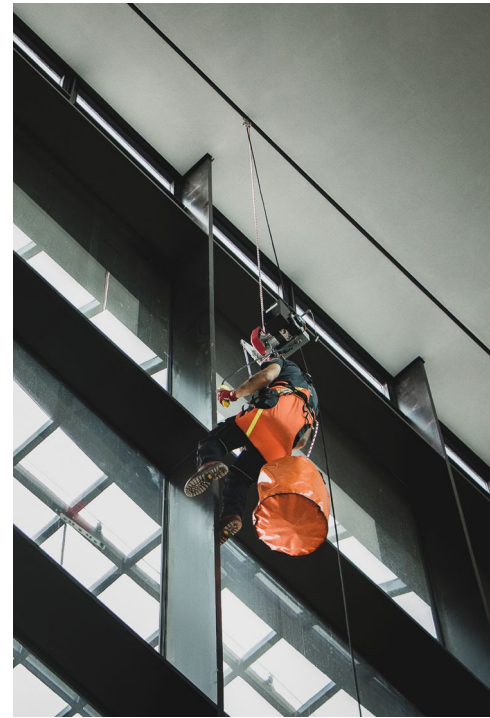
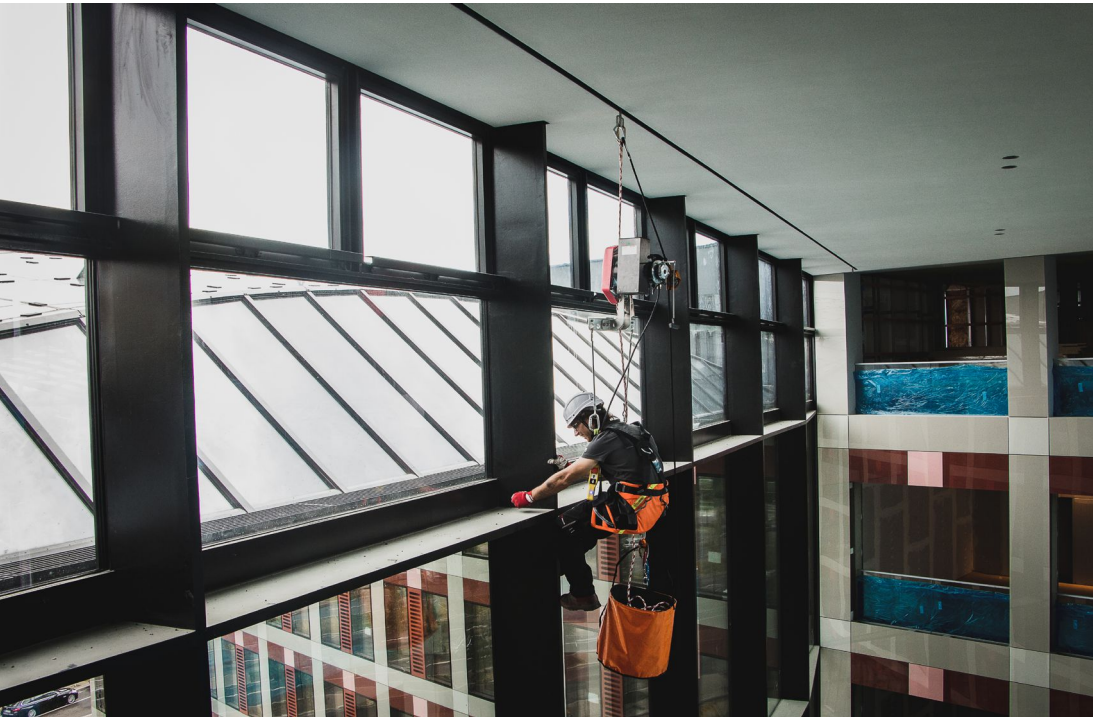


## CHOOSING FALLPROTEC MEANS

- One reference for global assistance
- Certified by notifying bodies as per latest European standard
- Quality control: ISO9001:2015.  
E.C. Quality of Production « Article 11B »
- Product liability insurance
- Warranty
- One-Stop-Shop



📍 Ernst & Young  
Luxembourg, Luxembourg



📍 Geneva airport  
Geneva, Switzerland



📍 Boekenkantoor  
Netherlands





📍 Heart of Doha  
Doha, Qatar



## FALLPROTEC SA

43-45 ZA Op Zaemer  
4959 Bascharage  
Luxemburgo  
T: +352 26 55 09 30  
F: +352 26 55 09 30 55  
marketing@fallprotec.com

## FALLPROTEC SL

Eduard Calvet i Pintó 4  
Pol. Ind. Vallmorena  
08339 Vilassar de Dalt  
España  
T: +34 93 114 22 31  
info@fallprotec.es

## FALLPROTEC CHINA

Room 213, Building 6  
No. 398, Jinglian Road  
Minhang District  
Shanghai, China

T: +86 21 3126 8606  
F: +86 21 2281 0168

+352 26 55 09 30  
[www.fallprotec.com](http://www.fallprotec.com)

Follow us

fallprotec |    

# FALLPROTEC

Height Safety Products

