

SafeAccess rail for fall protection

FALLPROTEC

December 2019

Description

The SafeAccess rail is an anchoring device for people evolving in a zone where a risk of fall from height exists. The SafeAccess rail is installed on industrial buildings or structures, on wall or on ceiling or on jibs above a loading bay.

The robust design suits intensive applications. The NAV2 trolley equipped with ball bearings follows easily the user at any distance from the rail.

Technical specifications

Delivered with installer and user manual

Material : Aluminium EN AW 6060 T6

Protection :

- Powder-coated RAL7040 resisting seaside (specification : Qualicoat Class 1 category 3, licence P-0554)
- Anodized in natural aluminium colour (specification industrial anodization thickness $\geq 15 \mu\text{m}$)

Loading on bracket 9KN per bracket for 4 users



Compliant with EN795:2012
Type D



x 4

NAV2

Mobile anchor point on
SafeAccess rail



Advantages

- More resistant than cable systems, usable years after being installed
- Transmits a low vertical force to the structure when stopping a fall
- Highly functional, the trolley goes easily along the (straight or curved) rail thanks to its wheels mounted on ball bearings. In the case of a cable lifeline, the glider is behind the user walking because of frictions of the glider on the cable. In case of a fall, the user will do a pendular fall, raising the fall height.
- In case of a fall, it is one of the very few systems where there will be no need to replace any part.
- Particularly well suited when the fall clearance is below 7m. The rail never deforms more than 50mm when stopping a fall.
- Thanks to a great inertia, the distance between brackets reaches 6m, for a weight of 5kg/m.
- Quick installation on site thanks to the low weight, the high distance between brackets and the reduced number of elements.
- The rail is curved following a radius $\geq 600\text{mm}$ and can be installed along a sinuous walkway.
- Available with ATEX certification
- Particularly robust and durable
- Delivered in lengths 3m or 6m

Location of the rail

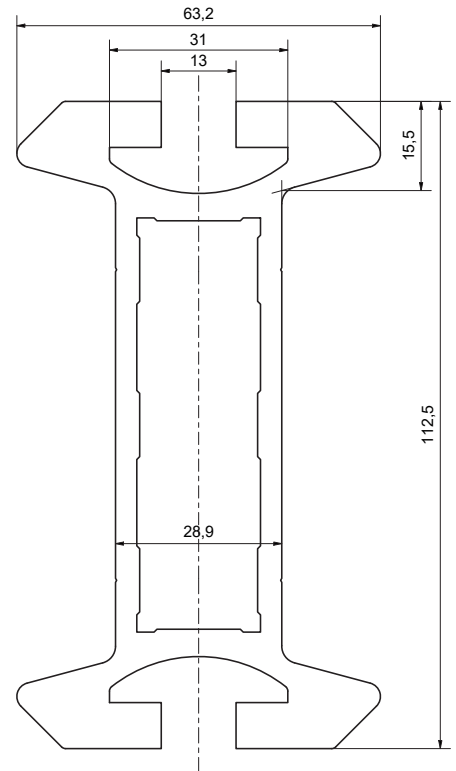
The SafeAccess rail
SafeAccess is installed:

- Close to a walkway where lies a risk of fall: travelling crane, floodgates...
- In oil&gas installations where there is a risk of explosion (ATEX certified)
- To protect people working on containers, airplanes fuselages or above train coaches, busses or tramways



MHS059

- Fixed to the building with bespoke brackets, adapting easily to its architecture
- For suspending a cradle with up to 2 people and a total weight of 800kg
- Easy mounting of the junctions thanks to 12 rivets
- Delivered in lengths 3m (low transportation cost) or 6m (fast installation)
- Can be combined with a climbing rail for inclined portions until 70°
- Possibility to paint the rail in a different colour
- Possibility to mount an auxiliary hoist for lifting glass units



Junction

The junction is riveted during the installation, to ensure a reliable and rigid link

SafeAccess rail for fall protection

FALLPROTEC

December 2019



Examples

