
Davit arms on wall

Potences au mur
Pescantes a pared
Auslegerarme an der Wand

Code **DAV**

Description

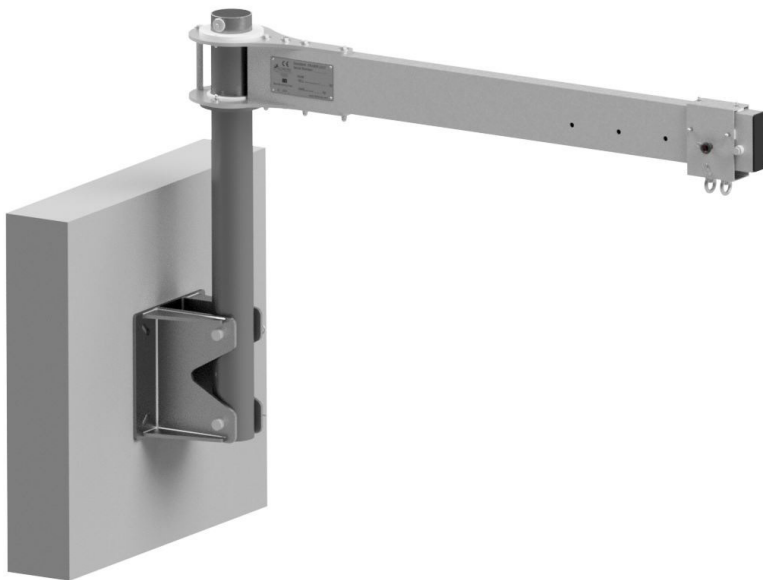
A base is fixed permanently to the rigid structure of the building. Recommended distance between bases 2500 up to 3000mm. Can be fixed on a vertical structure.

The davit arm is composed of an arm and a jib. It is connected to the socket by two pins. The end user can easily move the davit arm along the building and tilt it in working position. The mast and the arm are detachable to facilitate handling.

Outreach of the davit arm is comprised between 600 and 1500mm. The anchor points are moveable. The arm can turn 360° to facilitate the connection of the ropes and user can reach a larger surface on the facade.

Technical specifications

Delivered with an user manual
Material : Galvanized steel and aluminium



FALLPROTEC

February 2019



Compliant with EN1808:2015
MADE IN EU

Advantages

- Discrete, easily hidden when not in use
- Lightweight solution
- Possibility to connect auxiliary hoist for motorized lifting operations
- Bespoke designs upon request

Davit arms on wall

Potences au mur
Pescantes a pared
Auslegerarme an der Wand

Code DAV

FALLPROTEC

February 2019

