
Range of Securope horizontal corner plates

Gamme d'équerres de fixation pour Securope horizontal
Placas de esquina para Securope horizontal
Produktprogramm Securope Horizontal-Eckbleche

Code N° LDV096 / IDF003 / LDV070 / LDV071 / LDV015

FALLPROTEC

November 2018

Description

Fallprotec has developed a range of fixation assemblies to fasten the Securope horizontale lifeline to the hoist structure.



Compliant with EN795:2012
CEN/TS16415:2013
MADE IN EU



Advantages

- Standard or on demand designs depending on the requirements
- Resistant material
- Designs for ground, wall and ceiling configurations

Technical specifications

Delivered with an installer manual

Material: hot dip galvanized steel, powder coated steel or stainless steel

Code N° LDV096 - IDF003

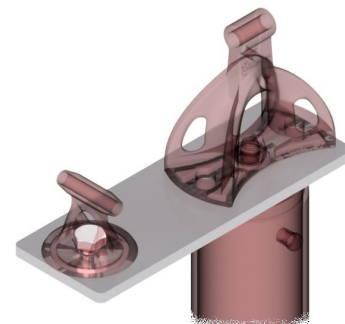
Corner plate for post

In hot dip galvanized steel (LDV096) or stainless steel (IDF003)



Code N° LDV070

Sharing plate support for end and intermediate anchors



Range of Securope horizontal corner plates

Gamme d'équerres de fixation pour Securope horizontal
Placas de esquina para Securope horizontal
Produktprogramm Securope Horizontal-Eckbleche

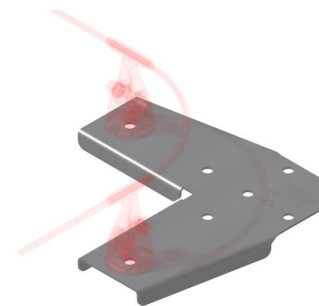
Code N° LDV096 / IDF003 / LDV070 / LDV071 / LDV015

FALLPROTEC

November 2018

Code N° LDV071

90° Corner plate for Multipost



Code N° LDV015

Corner plate for angle between 45° to 140° for Multipost

