

## Description

The SafeU fixing system has been developed by Fallprotec in cooperation with professional roofers. Not altering the structure it is maintained to, SafeU is a safe way to fix a rail to a complex roofing structure, such as tiles or slates.



Compliant with EN 795:2012  
EN516 and EN517  
MADE IN EU



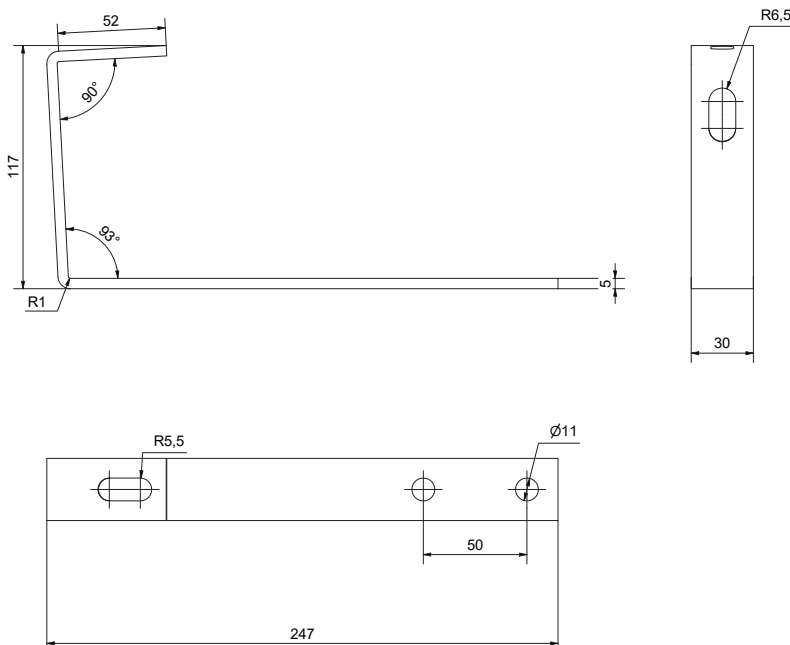
## Technical specifications

Delivered with an installer and user manual.

Material: Zinc plated steel or AISI304

## Advantages

- Waterproofness of the roof guaranteed
- Easy mounting
- Compatible with Securail Pro, walkways and stairs



## SFU001

Fixation hook for slate roof  
Fixed to the roof rafters with 2  
lag screws  
The thin anchor point fits  
between two slates.

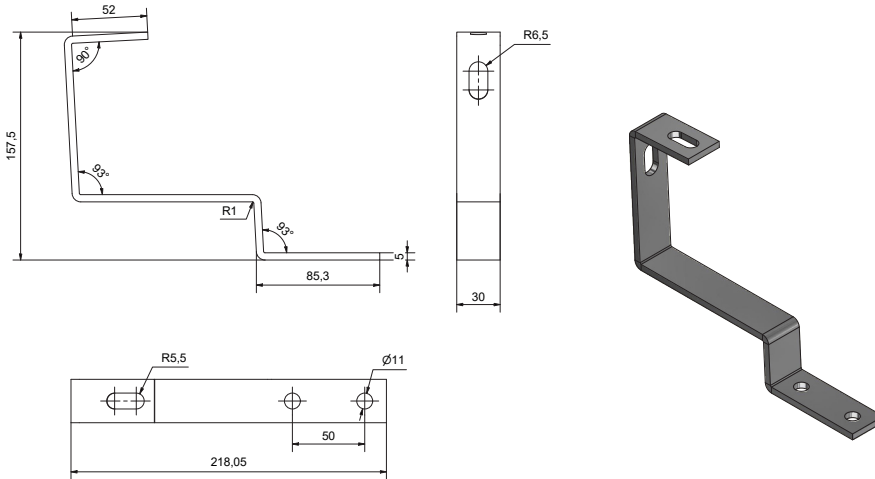
## SafeU range for traditional roofs

# FALLPROTEC

March 2020

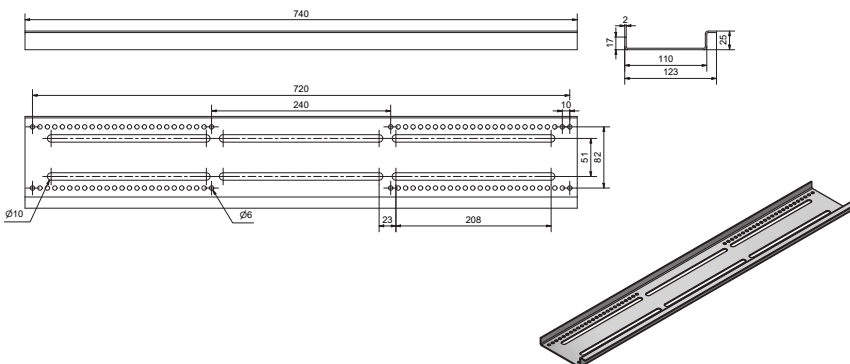
## SFU002

Fixation hook for tile roof  
Fixed to the roof rafters with 2  
lag screws  
The thin anchor point with a  
bend fits between two tiles.



## SFU007

Bracket for safety hooks SFU001  
and SFU002 between two  
rafters



## SFU009

Fixation hook for standing seam  
roof  
Easy mounting without roof  
penetration  
Shares the load on a broad  
surface of the seam

