

Yellow anchor point on standing seam roof

Point d'ancrage jaune sur toiture joints debout
Punto de anclaje amarillo sobre cubierta de junta alzada
Gelber Anschlagpunkt auf Stehfalzdach

Code N° LDV029 / LDV021/ LDV020 / LDV014 / LDV024

FALLPROTEC

September 2017

Description

The rotative eye anchor is combined with a fixation assembly for standing seam roof in order to protect workers against the fall hazard in specific zones.

Advantages

- The clamps of the fixation assembly absorb dilatation and contraction
- Wide range of fixations to match all standing seam roof types
- Suitable for every configuration (horizontal, inclined, vertical)
- High pull out strength
- Rotative anchor point allowing fluid user's movements
- High visibility anchor point

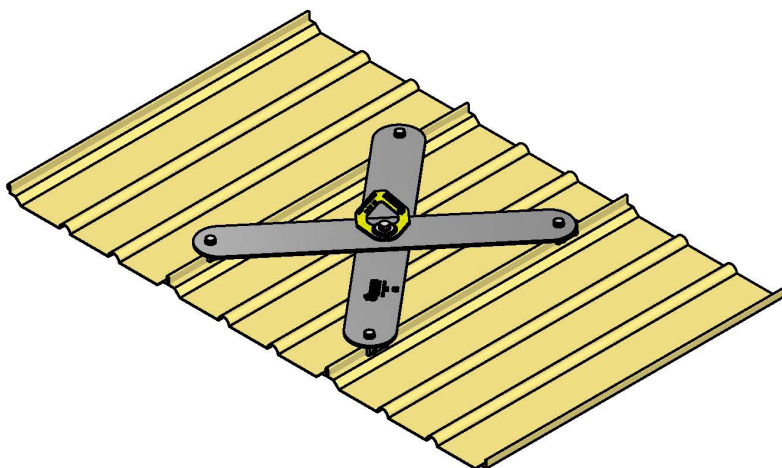
Technical specifications

Comes with an installer and user manual.

Material: Stainless steel AISI30



Compliant with EN 795:2012 type A
CEN/TS16415:2013
MADE IN EU



Code N°

LDV029 / LDV021 /
LDV020 / LDV014 /
LDV024