

Securope lifeline in an overhead configuration

Ligne de vie Securope en configuration overhead
Securope Seilsicherungssystem in Überkopfkfiguration
Línea de vida Securope en configuración "overhead"

Code N°LDV002 / LDV003 / LDV008 / LDV005 / LDV043 / LDV060 / LDV133 / LDV137

FALLPROTEC

February 2018

Description

The Securope NEO is a lifeline that can be used in an overhead configuration. It is either fixed on the ceiling or between two walls. This configuration is recommended for industrial installations.



Compliant with EN795:2012
Type C and CEN/TS16415:2013
MADE IN EU



x 4

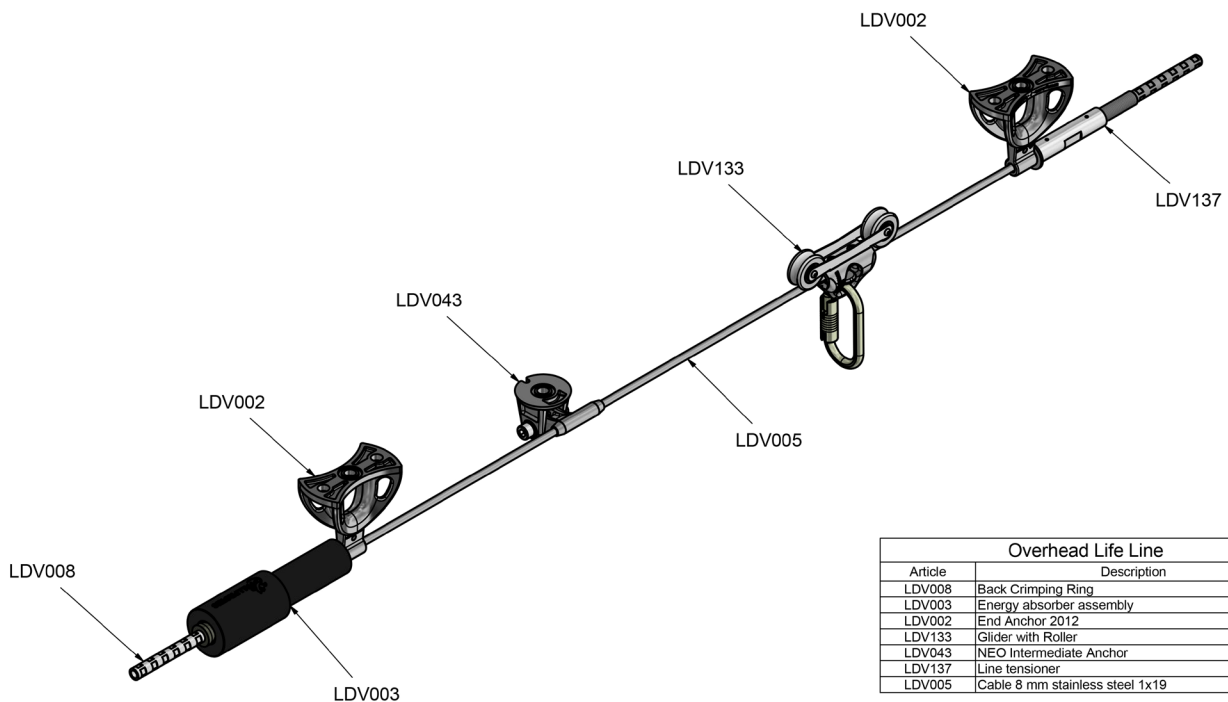
Advantages

- Intuitive use
- Comfortable and smooth moving (low friction material)
- Can be used with retractable fall arresters
- Reduced cable deflection (max 70cm)
- Not deformable
- Robust and lasting stainless steel material
- Quick installation of the safety line
- ATEX-certified material available

Technical specifications

Delivered with an installer and user manual

Material: Stainless Steel SS316
Maximum gap of 12m between the anchors



Overhead Life Line	
Article	Description
LDV008	Back Crimping Ring
LDV003	Energy absorber assembly
LDV002	End Anchor 2012
LDV133	Glider with Roller
LDV043	NEO Intermediate Anchor
LDV137	Line tensioner
LDV005	Cable 8 mm stainless steel 1x19

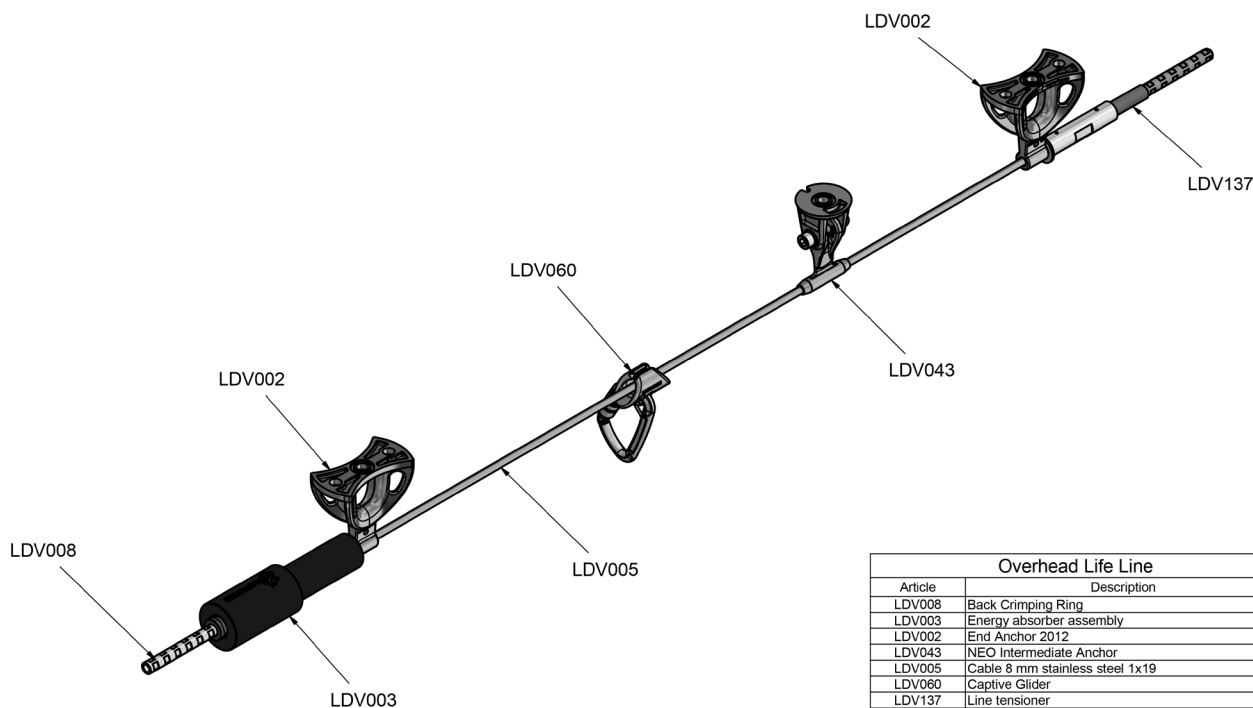
Securope lifeline in an overhead configuration

Ligne de vie Securope en configuration overhead
Securope Seilsicherungssystem in Überkopfkongfiguration
Línea de vida Securope en configuración "overhead"

Code N°LDV002 / LDV003 / LDV008 / LDV005 / LDV043 / LDV060 / LDV133 / LDV137

FALLPROTEC

February 2018



Overhead Life Line	
Article	Description
LDV008	Energy absorber assembly
LDV003	Back Crimping Ring
LDV002	End Anchor 2012
LDV043	NEO Intermediate Anchor
LDV005	Cable 8 mm stainless steel 1x19
LDV060	Captive Glider
LDV137	Line tensioner

LDV133 Glider with intermediate anchor NEO and fixing assembly. The fixing assembly enables a gap between the ceiling and the wire rope large enough to let the glider pass easily. The use of a safety block or lanyard is mandatory.

