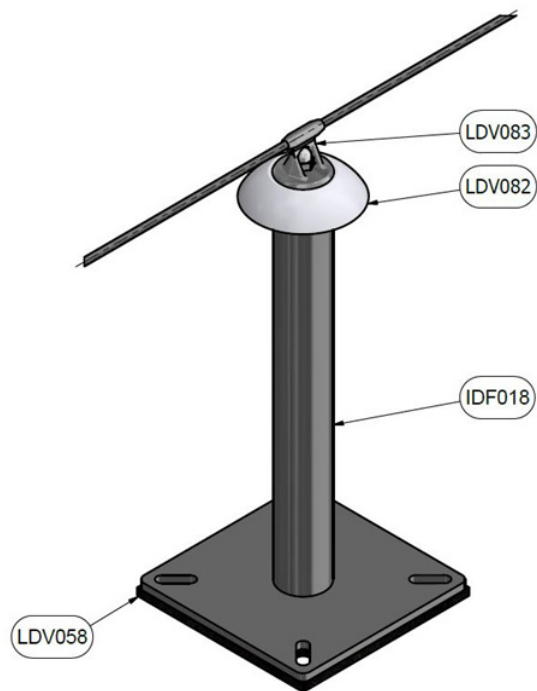


Fixing assembly on concrete slab - Securope EVO
Montaje fijo en losa de concreto - Securope EVO
Ensemble de fixation sur dalle béton - Securope EVO
Fixiereinheit auf Betonplatte - Securope EVO

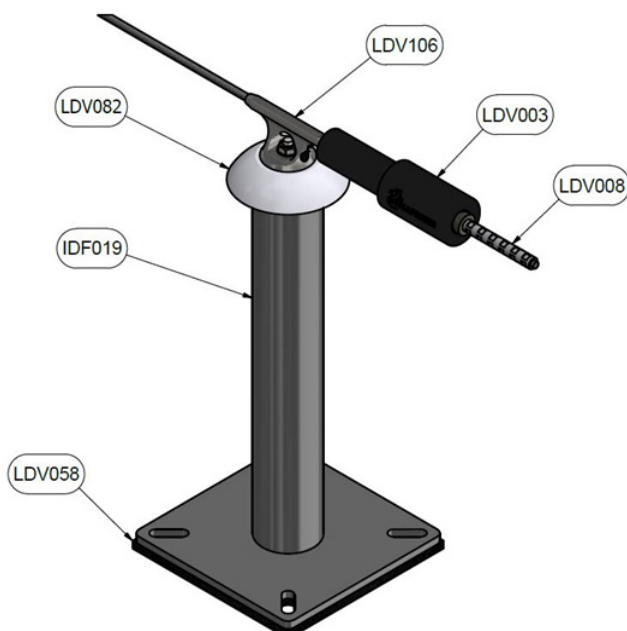
Code N° ASSY SECU VERTICAL 001

FALLPROTEC

February 2018



Rigging of an intermediate anchor on post



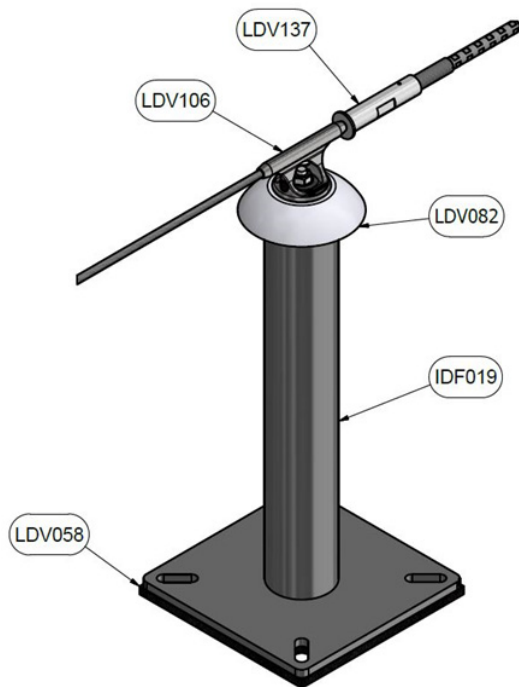
Rigging end anchor fitted with energy absorber on post

Fixing assembly on concrete slab - Securope EVO
Montaje fijo en losa de concreto - Securope EVO
Ensemble de fixation sur dalle béton - Securope EVO
Fixiereinheit auf Betonplatte - Securope EVO

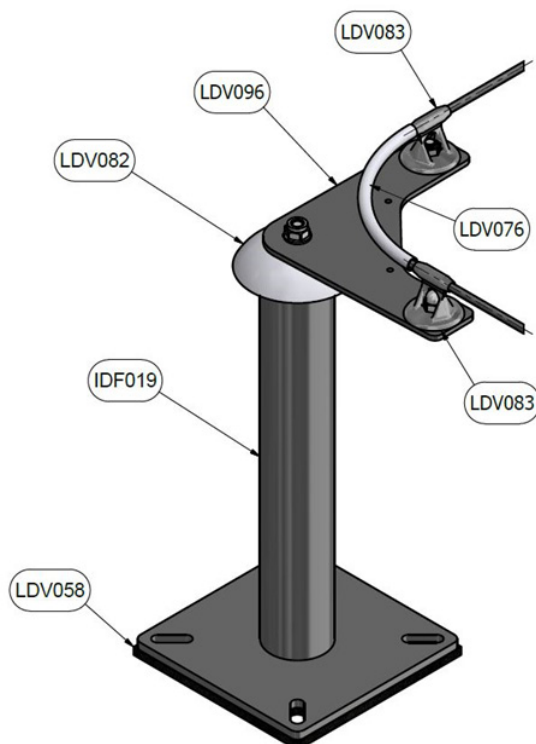
Code N° ASSY SECU VERTICAL 001

FALLPROTEC

February 2018



Rigging end anchor fitted with
line tensioner on post



Rigging of a curved section on
post