

Fixing assembly on concrete slab - Securope EVO

FALLPROTEC

February 2018

Description

The Securope lifeline on posts is installed on rigid structures such as concrete and steel beams. The Fallprotec posts are undeformable in cas of a fall. Combined with Securope EVO lifeline to secure flat isolated roofs.

Advantages

- Undeformable
- Available in stainless steel or galvanized steel
- Cost-efficient solution

Technical specifications

Supplied with an installer and user manual.
Material: Hot dip galvanized steel and AISI304.



Compliant with EN 795:2012 Type C
MADE IN EU

apave



Intermediate anchor
+ post 6 KN



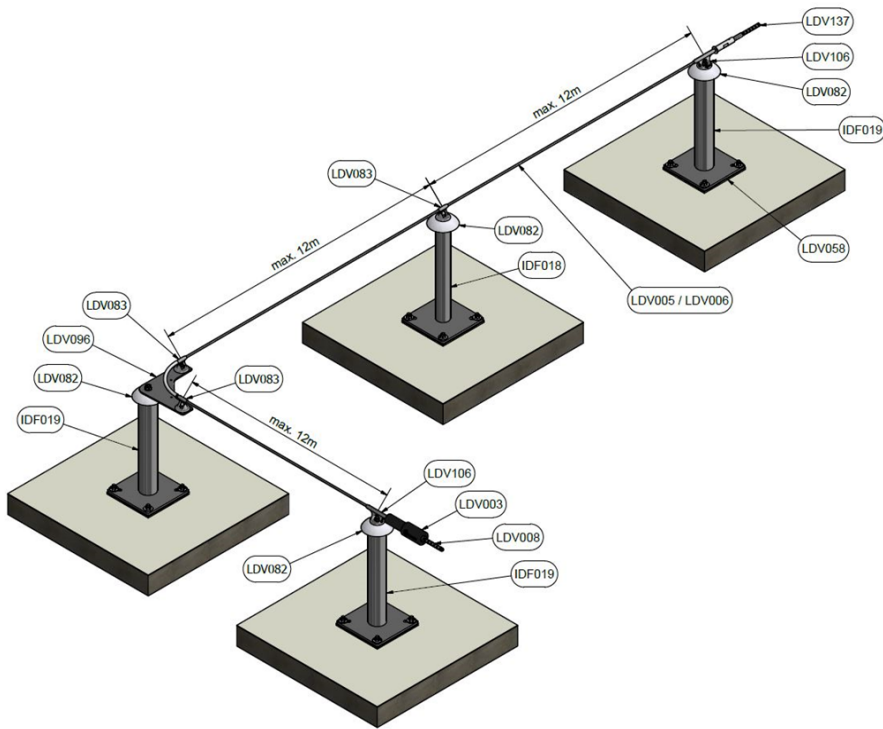
Intermediate anchor
+ post > 12 KN



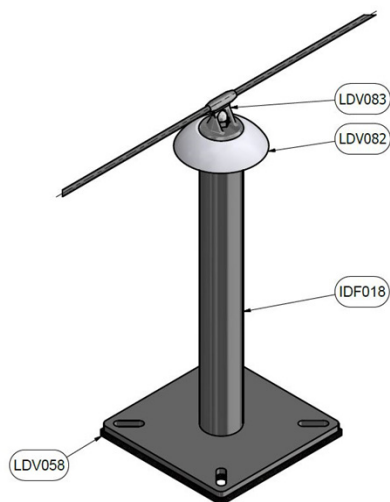
Fixing assembly on concrete slab - Securope EVO

FALLPROTEC

February 2018



Typical Configuration of
Securope EVO Life line

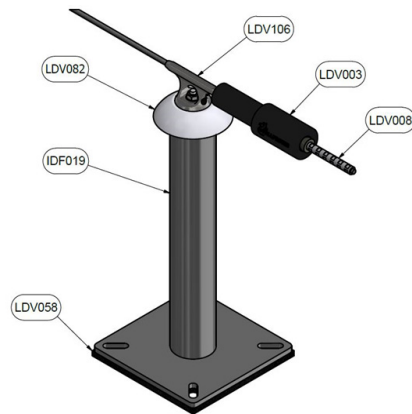


Rigging of an intermediate
anchor on post

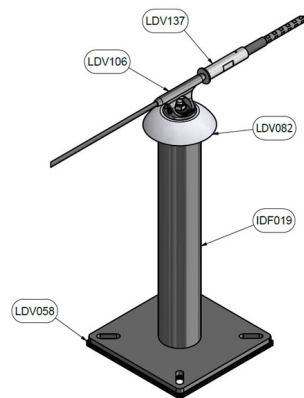
Fixing assembly on concrete slab - Securope EVO

FALLPROTEC

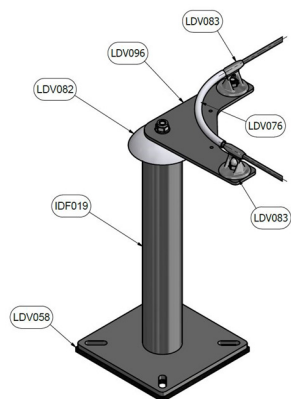
February 2018



Rigging end anchor fitted with
energy absorber on post



Rigging end anchor fitted with
line tensioner on post



Rigging of a curved section on
post