

FALLPROTEC

Height Safety Products

+352 26 55 09 30 | www.fallprotec.com

FALLPROTEC SAFEACCESS POUR TRAVAUX EN SUSPENSION





MONORAIL POUR SÉCURITÉ EN HAUTEUR ET TRAVAUX SUSPENDUS

EN1808:2015

ASME/ANSI-A120.1-2014 & IWCA I-14.1

Le rail SafeAccess est utilisé dans les systèmes d'accès en hauteur pour le nettoyage et l'entretien des façades. Il peut être installé pendant la construction ou sur des bâtiments existants, sur des façades, des plafonds, des auvents et des toitures.

An ultra-resisting height safety rail

The SafeAccess monorail has been tested and certified according to European standards.

- Most efficient system in terms of operational costs specifications
- Bespoke system, fitting your building. Our engineering department accompanies you for setting up the equipment
- Bendable on demand (minimal radius of 600mm)
- Low weight and maximum inertia
- Compatible with any type of architecture with a height between 5 and 250m
- Compatible with rope access technicians, RopeClimber, cradles and travelling ladders

Applications:



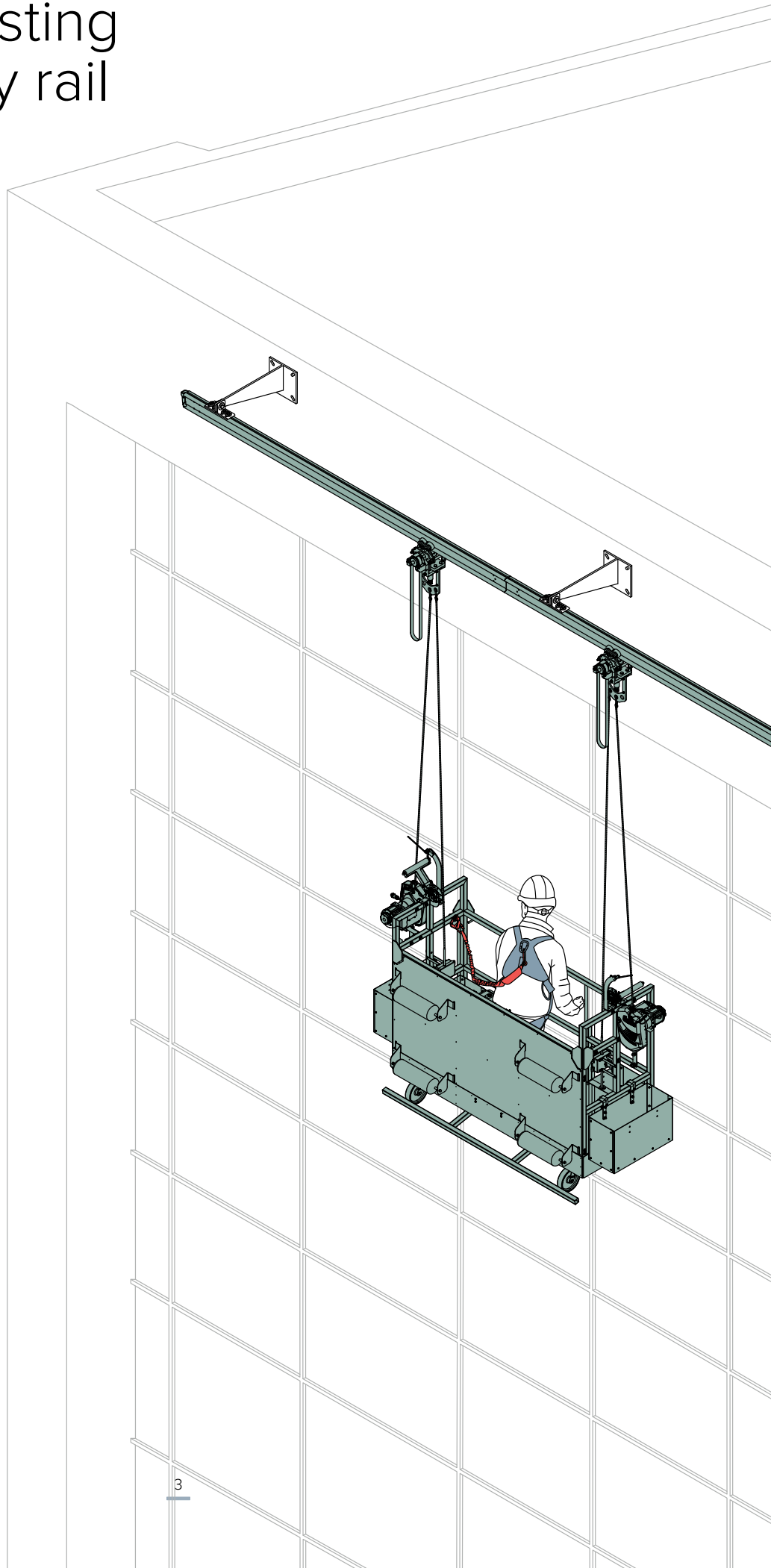
Rope
Access



Building
maintenance



Industry



SafeAccess rail for suspension works

A monorail system is a Building Maintenance Unit made of:

- a bracket connecting the rail to the building
- an aluminium rail
- high strength suspension trolleys
- suspended platform

By mastering all the aspects of the project, the engineering department ensures that the suspended platform reaches the entire facade safely.

EN1808:2015

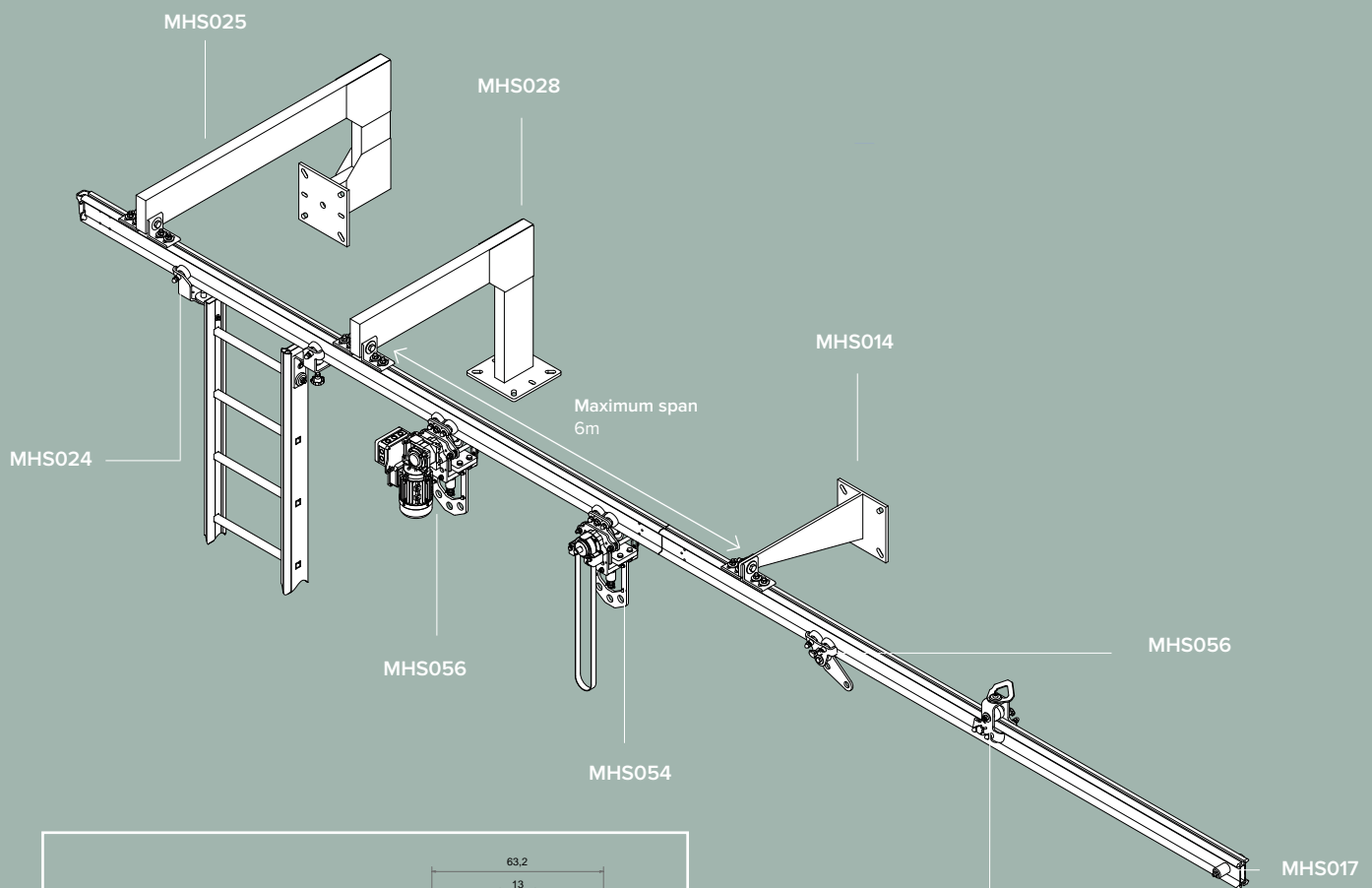
X 2 for rope access between supports

ALLU 6060T6

Ex

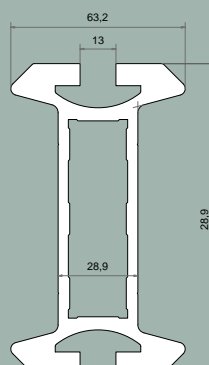
apave

Click here to follow the product YouTube playlist



MHS059

- SafeAccess profile weights 5kg / meter.
- Delivered in lengths of 3000 or 6000mm
- Powder-coated in grey RAL7040 resisting seaside or anodized



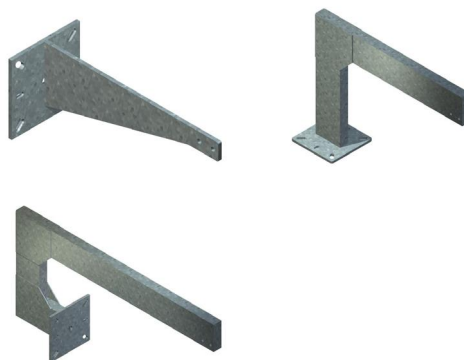
The NAV8 trolley equipped with rollers follows smoothly without any action from the end user.

SafeAccess brackets

The choice of the bracket depends of several parameters:

- host structure (concrete or steel beam)
- is the bracket fixed to the ceiling, wall or inside of a parapet
- type of suspended equipment
- presence of insulating material or decorative elements.

The engineer's department of Fallprotec creates bespoke designs, calculation notes, implantation drawings etc.



SafeAccess trolleys



NAV7 Trolley for rope access

Motorised trolley, recommended for distances over 100m.

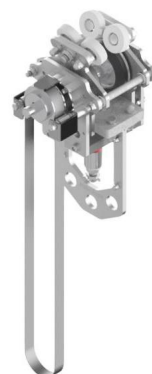
MHS048



NAV1 Trolley for suspension works

Traversing trolley with rope and pulley

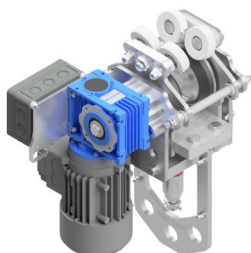
MHS054



NAV4 Trolley for suspension works

Motorised trolley, recommended for distances over 100m.

MHS056



NAV8 Trolley for fall arrest

Motorised trolley, recommended for distances over 100m.

MHS049



Fallprotec's SafeAccess worldwide

[Click here to view more
case studies worldwide
on our website](#)



CHOOSING FALLPROTEC MEANS

- One reference for global assistance
- Certified by notifying bodies as per latest European standard
- Quality control: ISO9001:2015.
E.C. Quality of Production « Article 11B »
- Product liability insurance
- Warranty
- One-Stop-Shop



📍 Apple
Tel Aviv, Israel



📍 Knightbridge
Manilla, Philippines



📍 Ven Amsterdam
Amsterdam, Netherlands



📍 Sandton mall
Sandton, South Africa



📍 Urban complex
Stockholm, Sweden



FALLPROTEC SA

43-45 ZA Op Zaemer
4959 Bascharage
Luxembourg
T: +352 26 55 09 30
F: +352 26 55 09 30 55
marketing@fallprotec.com

FALLPROTEC SL

Eduard Calvet i Pintó 4
Pol. Ind. Vallmorena
08339 Vilassar de Dalt
Spain
T: +34 93 114 22 31
info@fallprotec.es

FALLPROTEC CHINA

Room 213, Building 6
No. 398, Jinglian Road
Minhang District
Shanghai, China

T: +86 21 3126 8606
F: +86 21 2281 0168

+352 26 55 09 30
www.fallprotec.com

Follow us

fallprotec |    

FALLPROTEC

Height Safety Products

