

FALLPROTEC

Height Safety Products

+352 26 55 09 30 | www.fallprotec.com

FALLPROTEC FOR LOGISTICS





Steinfort, Luxembourg

ACCESS AT HEIGHT IN LOGISTICS

EN353-1:2018
OSHA 1910 & ANSI A14 -3

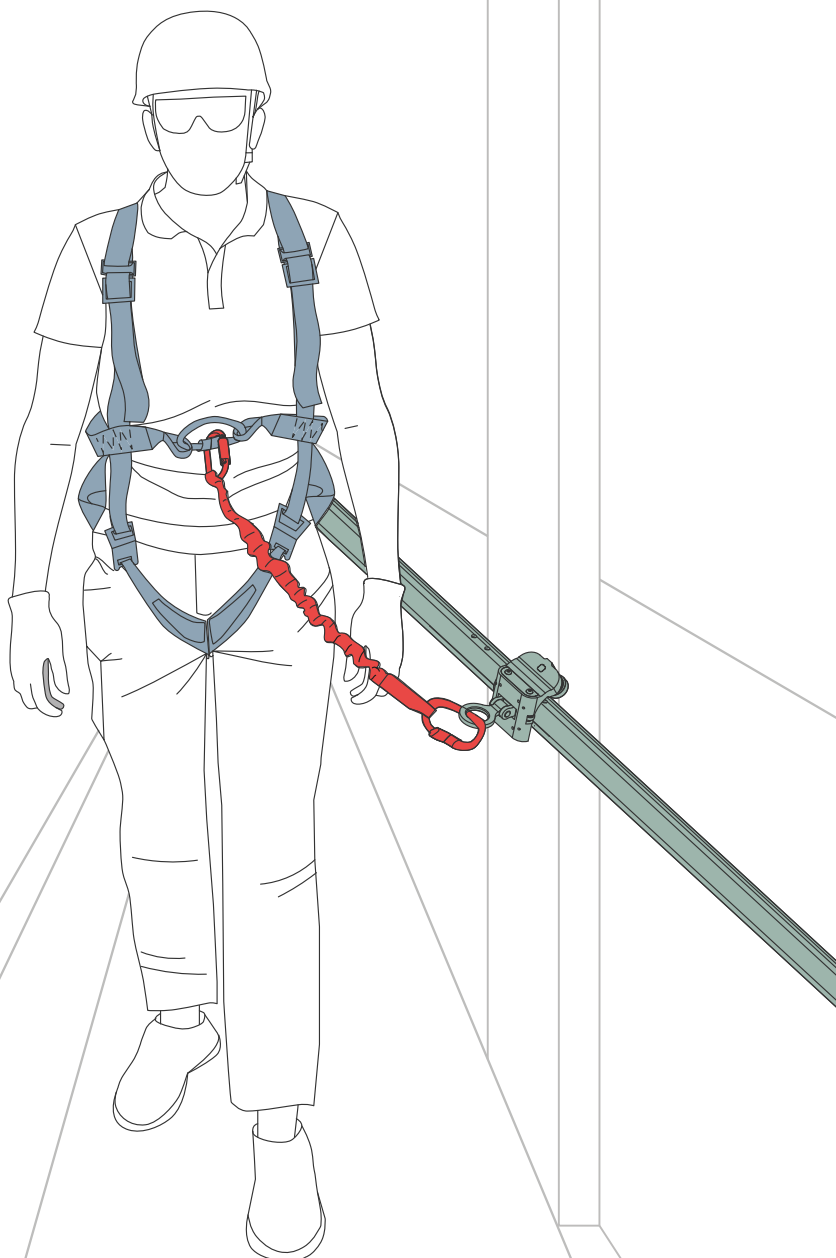
Conveying goods from one provider to its customers involves working often with machineries or at height. These actions go from picking in a warehouse to loading and unloading a truck, train or plane, whether manually or with robotic assistance. Each step includes safety hazards, each step is subject to maintenance works. Falls from height are also the most significant statistic for fatalities in the workplace. They are responsible for 20% of all fatal workplace accidents in the UK in 2019.

Links:
<https://bit.ly/3R4Fw7N>

Maintenance of Raking Systems

Automated raking systems are now a widespread feature in warehouses all over the world, with goods being stored at heights up to 40m.

The maintenance of the racks still requires people accessing them and therefore working at height.

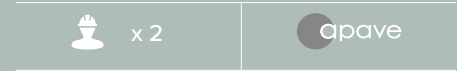


—
Fallprotec's Securail Pro is a secure option for both types of work.

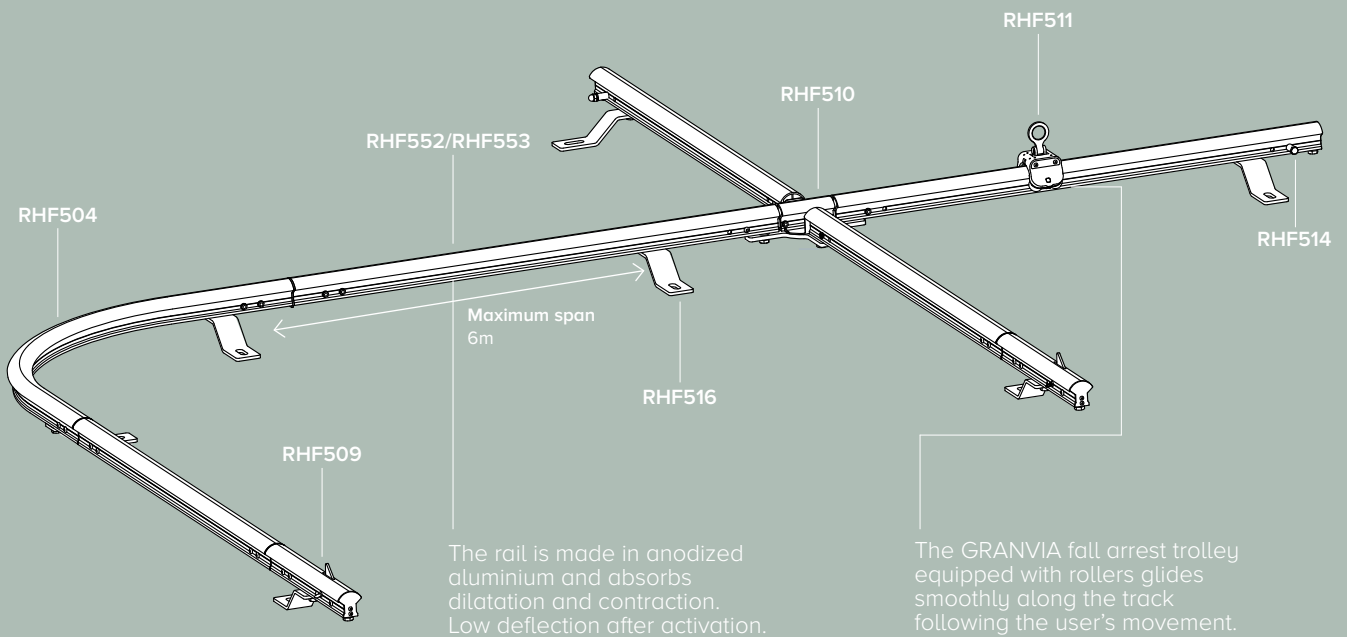
SecuRail Pro

Automated raking systems are now a widespread feature in warehouses all over the world, with goods being stored at heights up to 40m. The maintenance of the racks still requires people accessing them and therefore working at height. Fallprotec's SecuRail Pro is a secure option for both types of work.

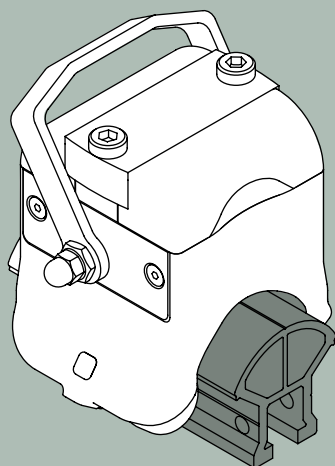
EN795:2012 Type D | CEN/TS16415:2013
ANSI/ASSP Z359.6 | CSA Z259.16-15



Click here to follow the product YouTube playlist



The GRANVIA fall arrest trolley equipped with rollers glides smoothly along the track following the user's movement. Anti-derailment claws mounted between the rollers keep the trolley firmly on the track. The same trolley is used for ground, wall and ceiling configuration. The rollers enable a smooth gliding of the trolley.



Overspeed Trolley

The new multidirectional trolley works either for inclined and horizontal lifelines. This allows the assembly of horizontal lifelines with sloped sections, all in one, avoiding the user's disconnection. Equipped with shock absorber, the installation is easy, directly on the rail.

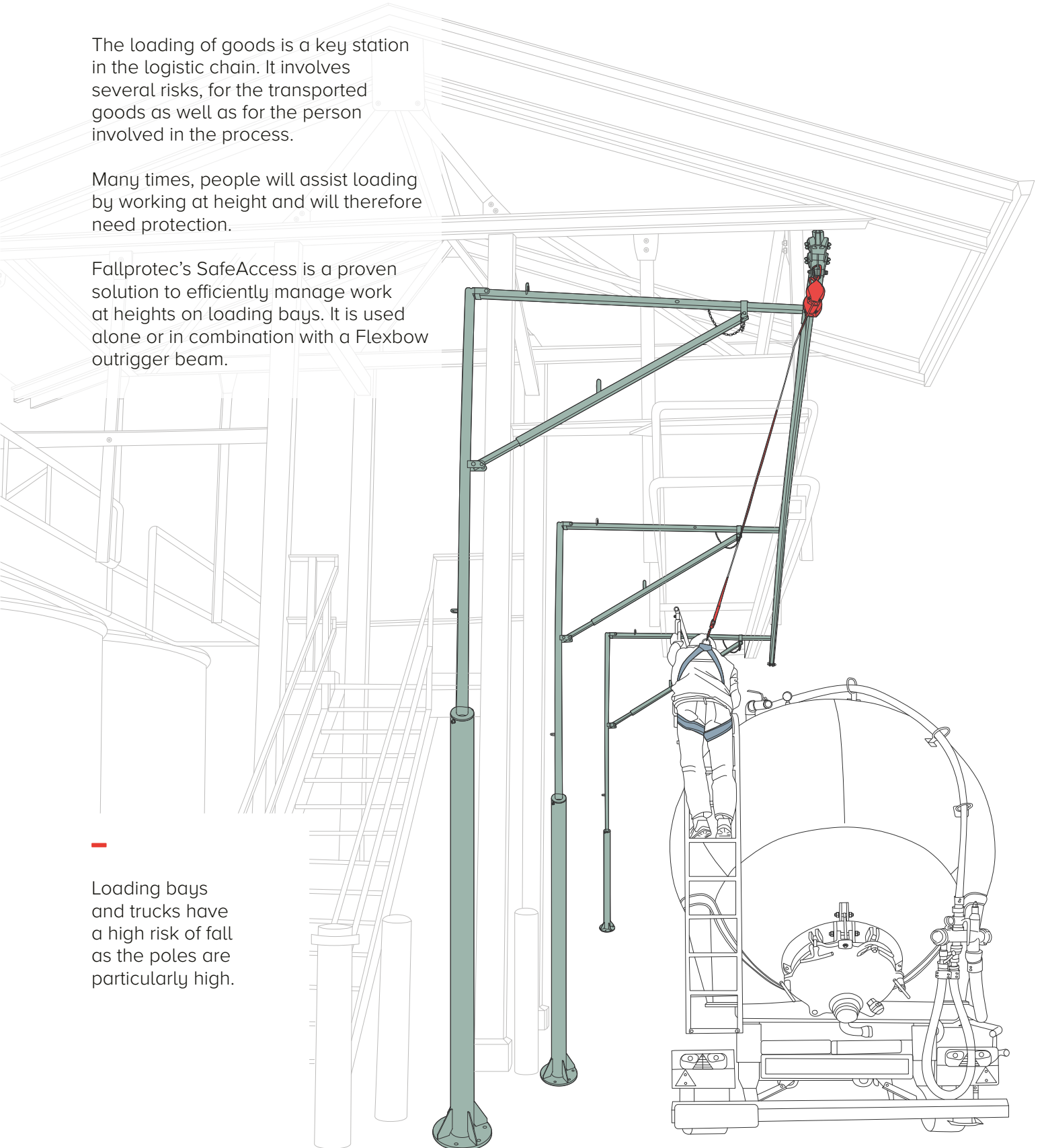
Maintenance of Loading bays and trucks

The loading of goods is a key station in the logistic chain. It involves several risks, for the transported goods as well as for the person involved in the process.

Many times, people will assist loading by working at height and will therefore need protection.

Fallprotec's SafeAccess is a proven solution to efficiently manage work at heights on loading bays. It is used alone or in combination with a Flexbow outrigger beam.

— Loading bays and trucks have a high risk of fall as the poles are particularly high.



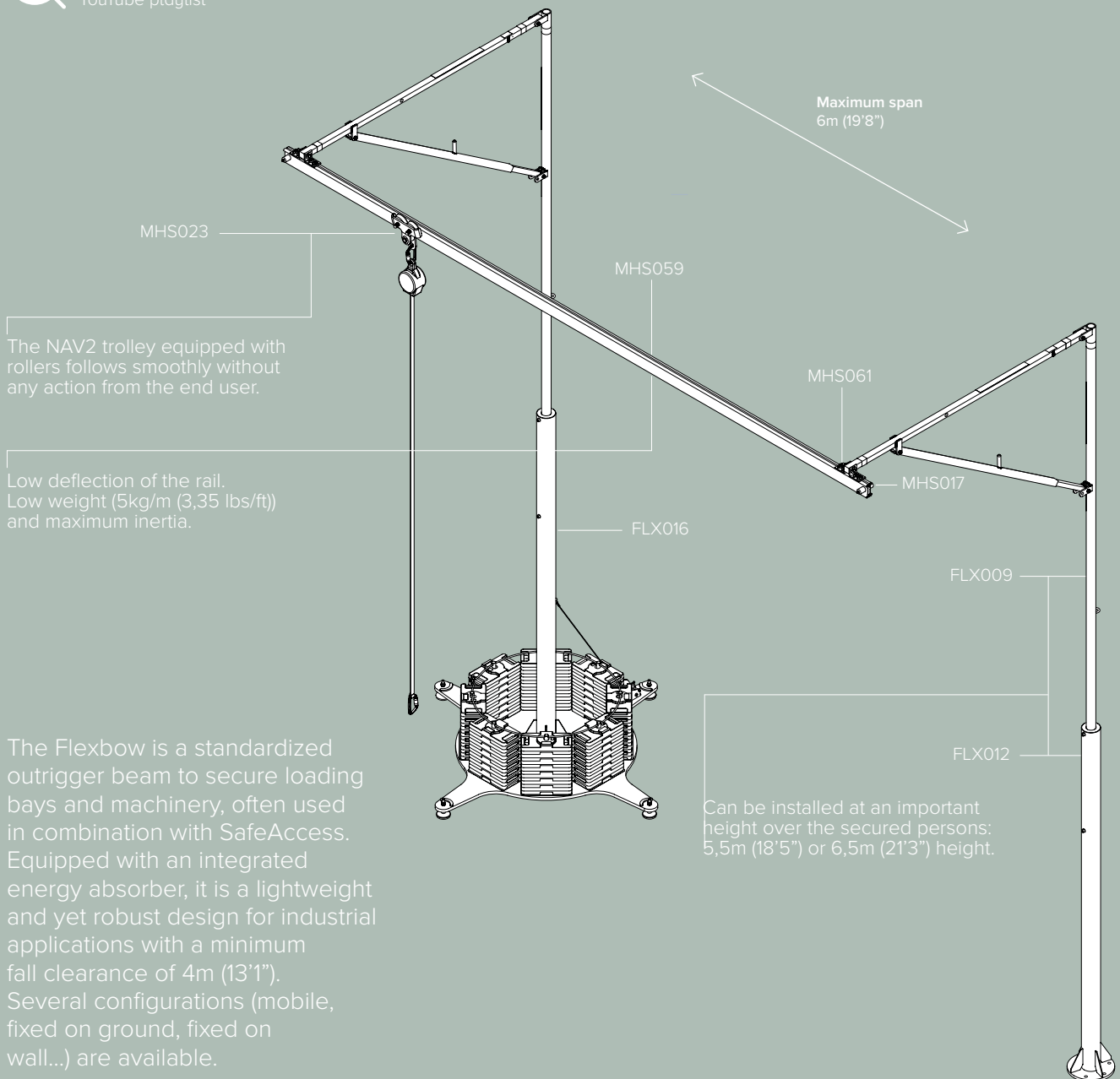
SafeAccess rail for fallarrest

The SafeAccess can be used for fall arrest in many combinations: ground, wall, ceiling or jibs above a loading bay. The robust design suits intensive applications, the rail remains usable years after being installed. In case of a fall, it is one of the very few systems where there will be no need to replace any part. Combined with a safety block enables the safest possible fall arrest.

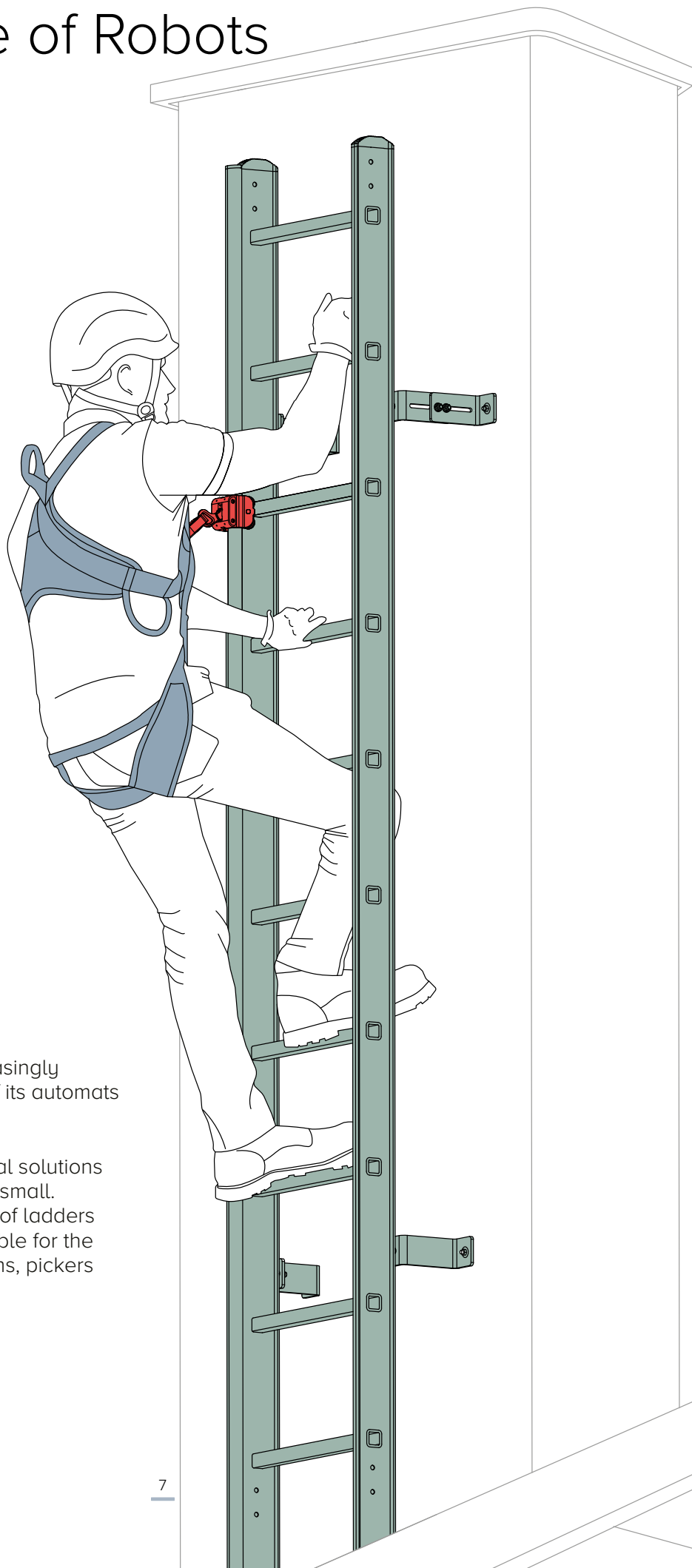
EN795:2012
EN795:2012 & TS16415:2013
ASSP/ASSE Z359.6
OSHA 1910 / OSHA1926
CSA Z259.16



Click here to follow the product YouTube playlist



Maintenance of Robots



As the logistics branch is an increasingly robotized one, the maintenance of its automats is an ever-returning key topic.

For this, Fallprotec provides vertical solutions adapted to all machineries, big or small. The company developed a range of ladders with integrated fall arrest rail suitable for the maintenance of robotic tipping arms, pickers and AGVs.

SafeLadder Pro

The SafeLadder Pro is a ladder including an integrated fall arrest rail in its upright. Easy to install, it can be adapted to various configurations, confined spaces, distance from the host structure, etc.

EN353-1:2018

ANSI A14.3 and OSHA1910.29 Subpart D



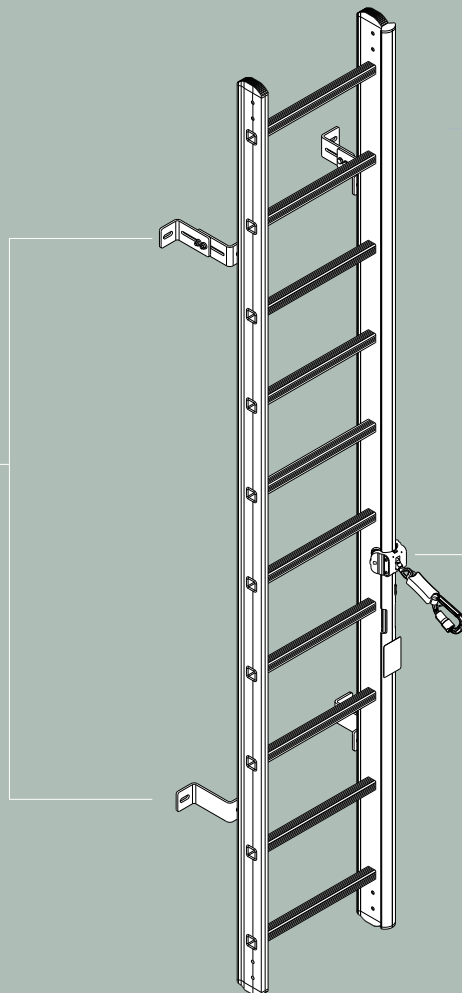
x 1



Click here to follow the product YouTube playlist

SAL210-213

The SafeLadder Pro offers a wide range of fixation options for every type of host structure.



RHF518



The GRANVIA4 trolley equipped with an energy absorber follows the user's movements smoothly and blocks automatically in case of a fall.

MastLadder for Containers' Maintenance

The MastLadder consists in a Securail Pro with aluminium rungs fitted into the profile. The ladder is delivered in length 2,8m. It is installed on every type of building for height access and is fixed to the structure thanks to M10 bolts. This type of ladder is particularly well suited for applications where discreet solutions are required, access on antennas, pylones or wind towers.

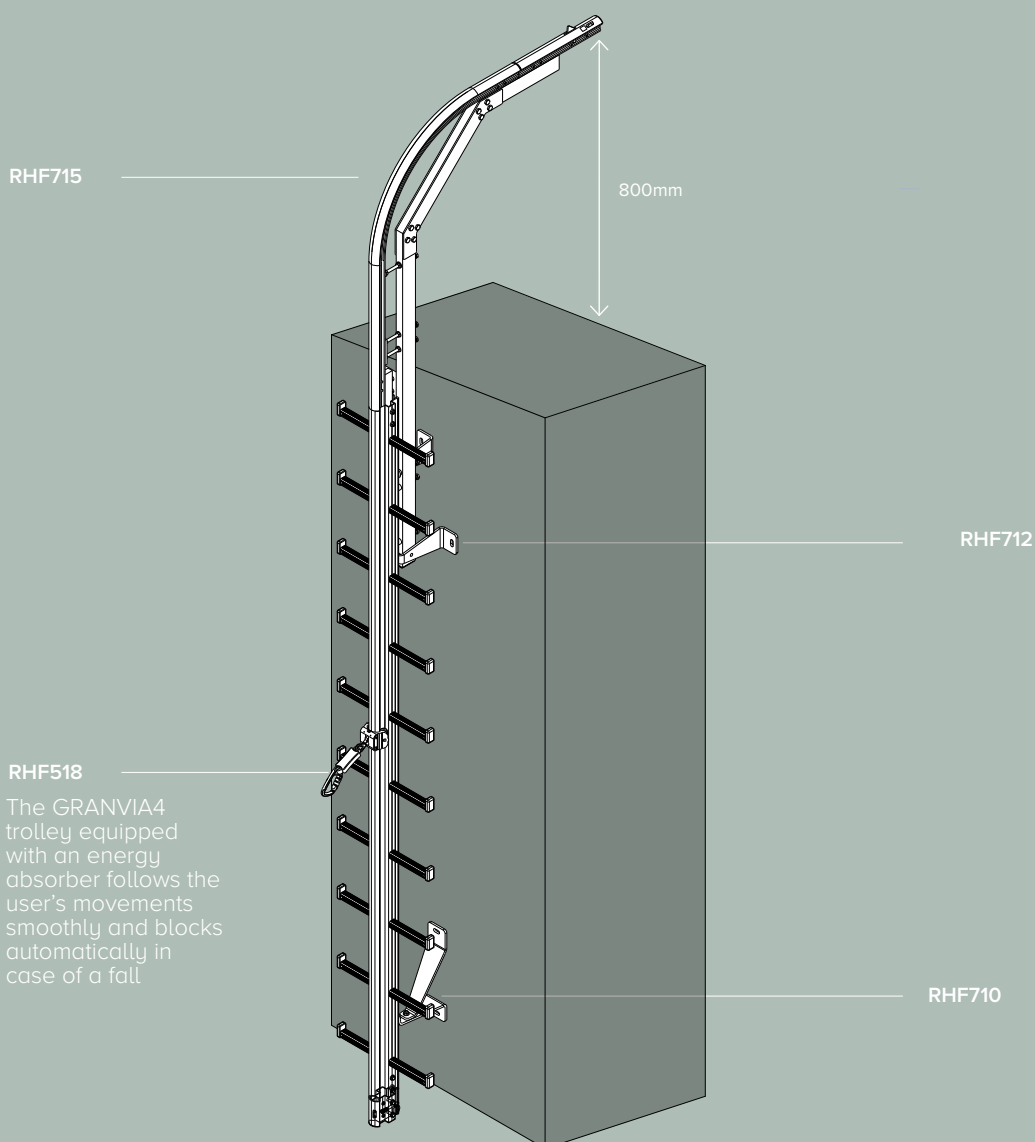
EN353-1:2018

ANSI A14.3 and OSHA1910.29 Subpart D

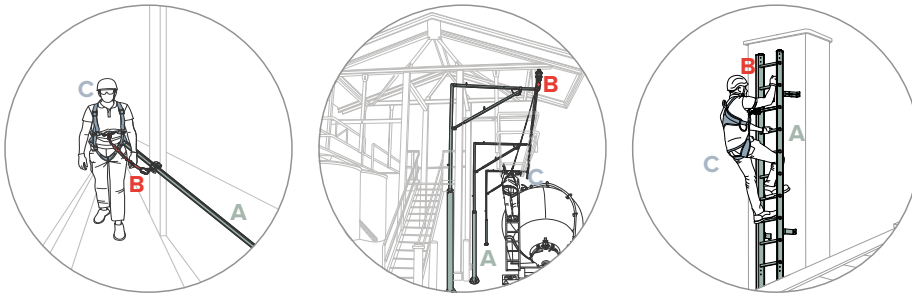
 x 1	 Aluminium 6060T6	
---	--	---



Click here to follow the product YouTube playlist



Fall protection & access equipment



A

Anchorage

Structure capable of supporting 6kN per user attached as part of a complete personal fall arrest system which maintains a safety factor of at least two.

Fallprotec lifeline systems:

- 1) SecuRail: Maintenance of raking systems.
- 2) SafeAccess: Maintenance of Loading bays and trucks.
- 3) SafeLadder Pro: Maintenance of Robots.
- 4) MastLadder: Containers' Maintenance

All systems are suitable for intensive use in complex industrial environments. Its components are reliable and durable.

Fixing brackets:

Fallprotec's internal engineering department offers bespoke fixation assemblies, adapted to various beam sizes and distances between them and walkways.

B

Connecting Devices

PPE Equipment connecting the operator to the system, restraining them in case of a fall.

The PPE are designed to limit the energy transmitted to the user to a maximum of 6kN.

Fallprotec PPE:

Complete range of self retractable lanyard with aluminium casing and galva steel rope.
IHWS



EN354/355/362

x 1

KG 3,70

With aluminium casing and galva steel rope.

Single & Double lanyard 2 m

HAR076 | HAR016



EN354/355/362

x 1

KG 0,60 | 0,80

↔ 2m

Fitted with energy absorber

C

Body Support

A safety harness is a personal protective equipment (PPE) that is designed to catch a person in the event of a fall while working at height. Our full body harness distributes fall arrest forces across the shoulders, thighs and pelvis.

Fallprotec PPE:

Harness Prolight

HAR001 / 002 / 003



EN361:2012

x 1

KG 0,930

Resistant, lightweight fabric. Comfortable for the user.

Ergonomic helmet for works at height

HAR087



EN12492

x 1

Fallprotec's products installations



CHOOSING FALLPROTEC MEANS

- One reference for global assistance
- Certified by notifying bodies as per latest European standard
- Quality control: ISO9001:2015.
E.C. Quality of Production « Article 11D »
- Product liability insurance
- Warranty
- One-Stop-Shop



FALLPROTEC SA

ZARO 2-4 rue Gustave Loosé
8346 Grass
Luxembourg

T: +352 26 55 09 30
marketing@fallprotec.com

FALLPROTEC SL

Eduard Calvet i Pintó 4
Pol. Ind. Vallmorena
08339 Vilassar de Dalt
España

T: +34 93 114 22 31
info@fallprotec.es

FALLPROTEC USA

3500 S Dupont Hwy
Dover, DE 19901
USA

T: +1 205 388 0548
usa@fallprotec.com

FALLPROTEC ME

JLT, Mazaya Business Avenue,
Tower BB1, Oce 1108
P. O. Box 487115
United Arab Emirates

T: +971 4 399 3764
eh@fallprotec-me.com

FALLPROTEC SRL

Via Giovanni Falcone 23
24050 Zanica Bergamo
Italia

T: +39 375 713 8515
va@fallprotec.com

+352 26 55 09 30
www.fallprotec.com

Follow us

fallprotec |    

FALLPROTEC

Height Safety Products

