

FALLPROTEC

Height Safety Products

+352 26 55 09 30 | www.fallprotec.com



FALLPROTEC
LIGHT BUILDING
MAINTENANCE UNITS



Fallprotec has designed several innovative and compact solutions for building maintenance units (BMU). Thanks to the innovations of the RopeClimber men lifting hoist, a significant reduction in equipment has been possible:

- The lighter weight of synthetic cables of 0.09 kg/m (0.25 kg/m for steel cables)
- A battery-powered hoist, which eliminates the electrical cable hanging along the facade between the platform and the suspension rig.
- Replacement of cable reels with plastic box.

The reduction in the weight of the platform leads to a lightening of the suspension rig.

The lifting and translation movements are motorized thanks to a battery.

Fallprotec offers a wide variety of solutions ranging from the motorized or manual trolley, the davit and suspension rails, to a single- or double-men platform or a bosun chair. This document highlights the main characteristics of the BMU provided by Fallprotec. For more information, contact your sales representative.

The maintenance of facades is a delicate operation that requires suitable equipment.

The following factors should be considered:

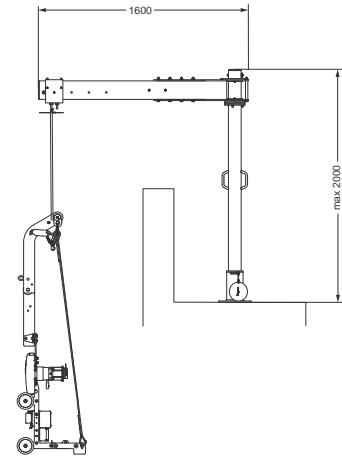
- Fallprotec offers space-saving AEFs for buildings 50 m high or less and for a span ≤ 3 m measured between the parapet and the facade.
- The surface to be cleaned in m^2
- The height of the building as well as the lifting height of the platform
- The space available on the roof where the suspension rig is installed
- The characteristics of the roof, structural material, waterproofing membrane, etc.
- To increase the performance of cleaning operations, consider the surface to be cleaned in relation to the type of suspension rig and platform:
 - Fixed suspension rig and single man platform or bosun chair for small surfaces,
 - Roof trolley or monorail with manual translation and single- or 2-men platform for medium surfaces
 - Motorized trolley and two men platform for large surfaces.

The Building Maintenance Units (BMU) range

Davit arm

+

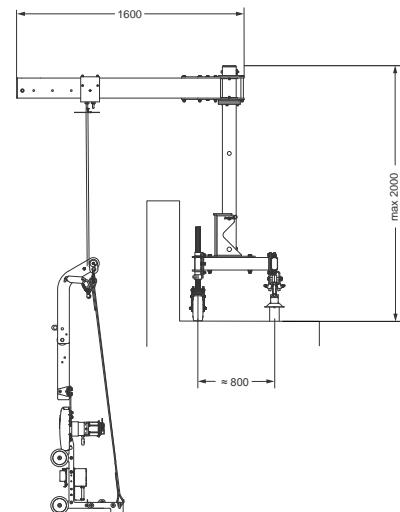
- Economical solution.
- Does not interfere with the building's aesthetics
- Suitable for one-man cradle or Stand-sit device.



Mobile davit

+

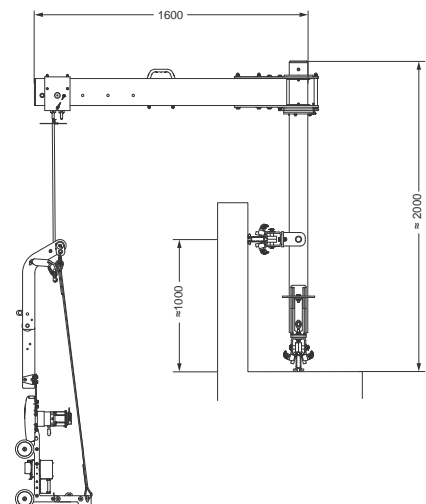
- Economical solution, but more efficient than the fixed davit
- Little interference with the building's aesthetics.
- Suitable for one-man cradle or Stand-sit device.



Mobile davit on parapet

+

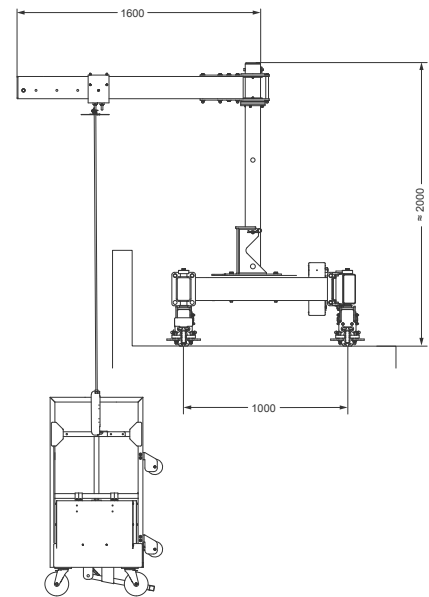
- Very efficient solution
- Compact design
- Suitable for one-man cradle or Stand-sit device



Mobile davit on two rails



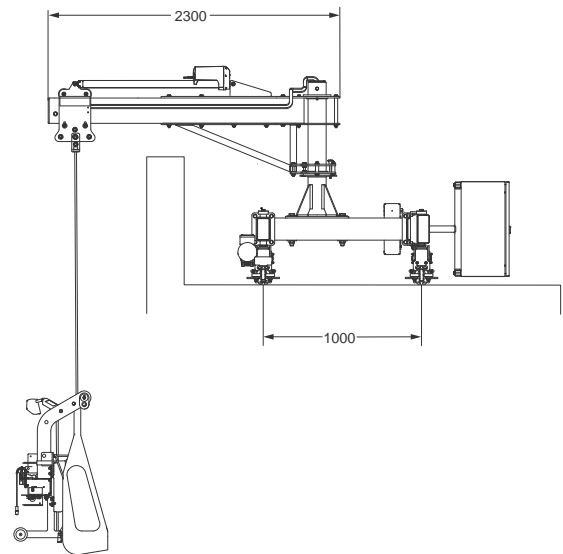
- Very efficient solution
- The mast and the jib can easily be dismantled to minimize the aesthetic impact
- Suitable for one-man cradle or Stand-sit device



Motorized roofcar for one-man cradle



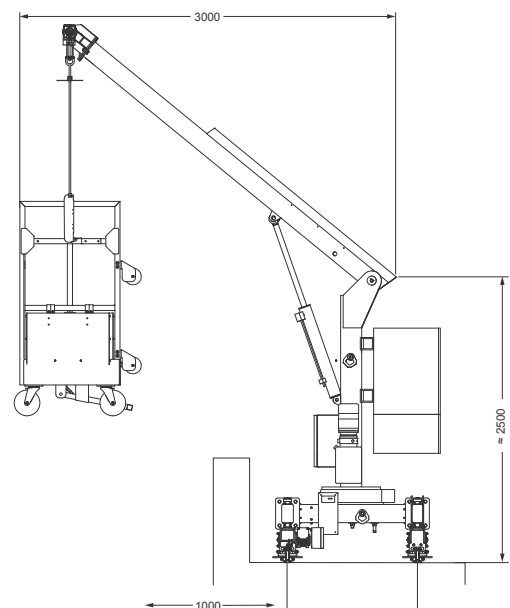
- Very efficient solution
- The jib is rotated towards the roof in parking position, so as to minimize the aesthetic impact
- Suitable for one-man cradle or Stand-sit device



Motorized roofcar for two-men cradle



- Very efficient solution
- Very compact roofcar, suitable for various facade configurations
- Suitable for two-men cradle



Suspended platforms

The platform is the element of the BMU intended to receive 1 or 2 operators. Fallprotec offers 3 types of suspended platforms:

- Platform- Platform suspended from a main and a safety line for one operator, Fallprotec offers a one-person cradle, a bosun chair BackPack and The Stand-Sit
- Suspended platform with two main lines and two safety lines for two operators, Fallprotec offers the two men cradle.
- Suspended platforms are a light solution for cleaning facades. They are powered by battery, which eliminates the problems associated with handling electrical cables.

Suspended platforms are a light solution for cleaning facades. They are powered by battery, which eliminates the problems associated with handling electrical cables.



Stand-sit device

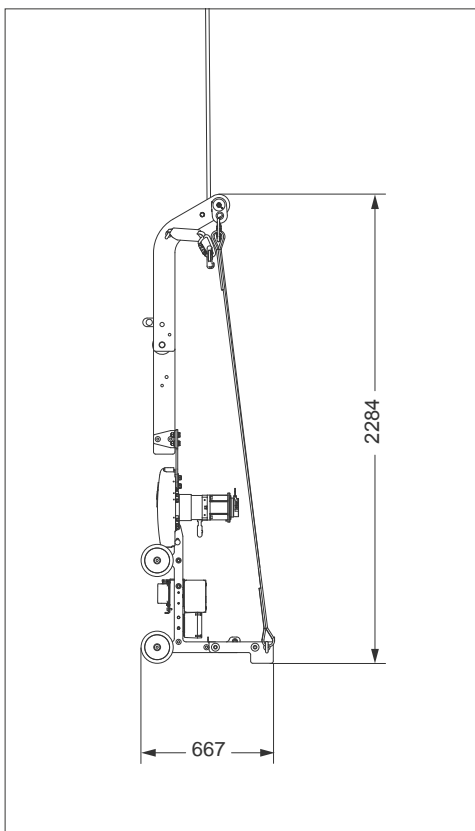
The Stand-Sit is a hybrid device allowing the user to work sitting or standing.

- The Stand-Sit is designed to accommodate 1 operator and his tools corresponding to a payload of 120 kg.
- The operator controls the lifting using a push button box
- The Stand-sit thanks to its reduced weight of 60 kg, its small size and its ease of transport in a van, allows optimal mobility for a cleaning company having to intervene on sites far from each other.
- The energy for the hoist is supplied by a battery which has an autonomy of 8 hours of work

EN1808:2015



x 1



Backpack device

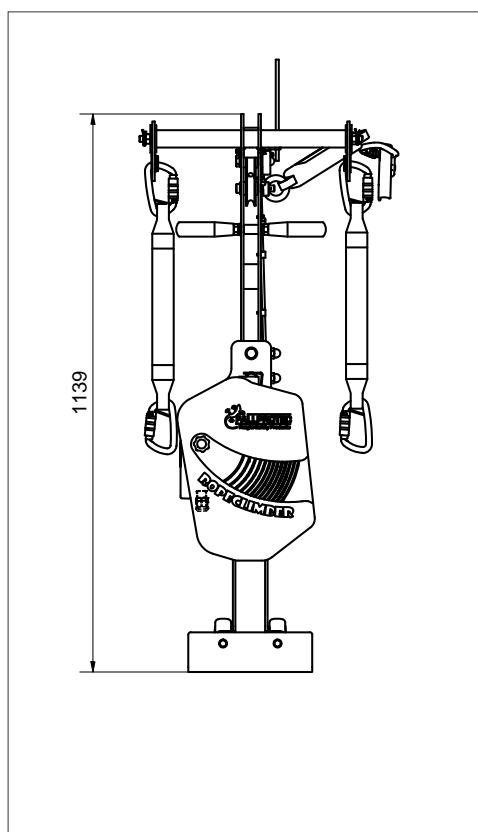
The operator sits in a textile bosun chair suspended from a stirrup on which is fixed the Ropeclimber.

- The BackPack device is designed to accommodate 1 operator and his tools corresponding to a payload of 120 kg.
- The operator controls the lifting with a button box.
- Thanks to its low weight of 34 kg, its compact design when folded easily transported in a van, the BackPack allows an optimal mobility for a cleaning company having to intervene on sites far from each other.
- The energy for the winch is provided by a battery that has an autonomy of 8 hours of work.

EN1808:2015



x 1



One-person cradle

The single-man cradle is designed to accommodate 1 operator and its tools correspond to a payload of 120 kg.

The floor has a surface of 60 x 60 cm.

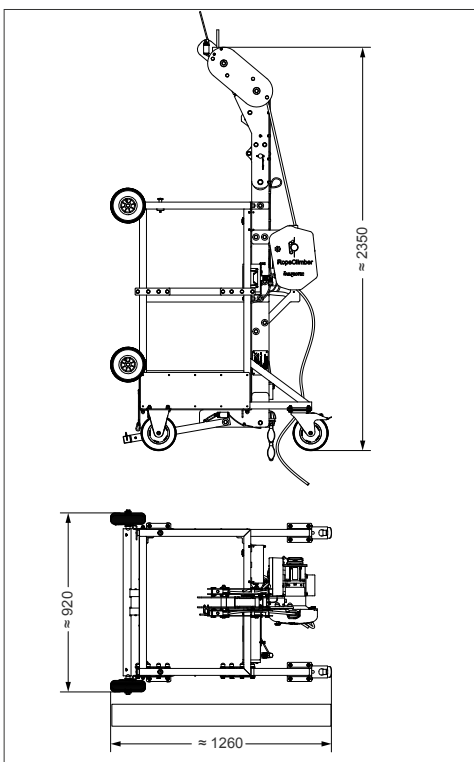
The dead weight is 120 kg.

The operator has a push buttons box for lifting the cradle. If the cradle is suspended from a motorized trolley, an HF control allows the trolley to be operated from the platform. The energy is supplied by batteries which ensure an autonomy of 8 hours of work, one battery is placed in the cradle and the other fixed to the trolley.

EN1808:2015



x 1



Two-men cradle

The two-men cradle is designed to accommodate 2 operators and their tools correspond to a payload of 240 kg.

The floor has an area of 180 x 60 cm.

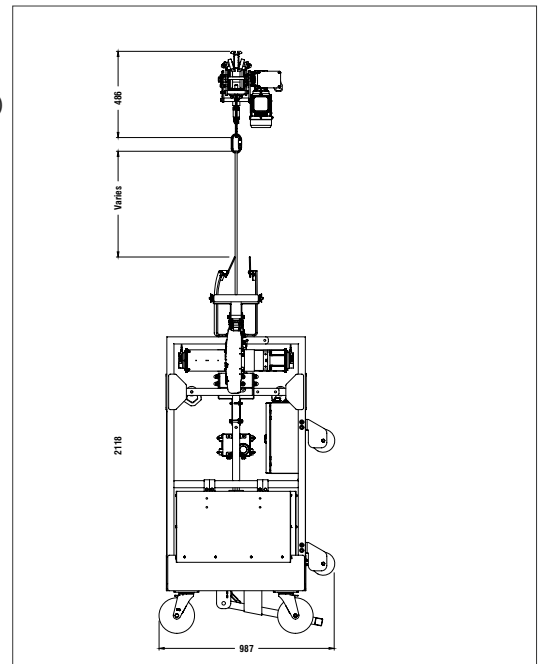
The 2 main lines and the 2 safety lines are made of high resistance synthetic cable.

The dead weight is 220 kg.

Operators have a push buttons box for lifting the cradle.

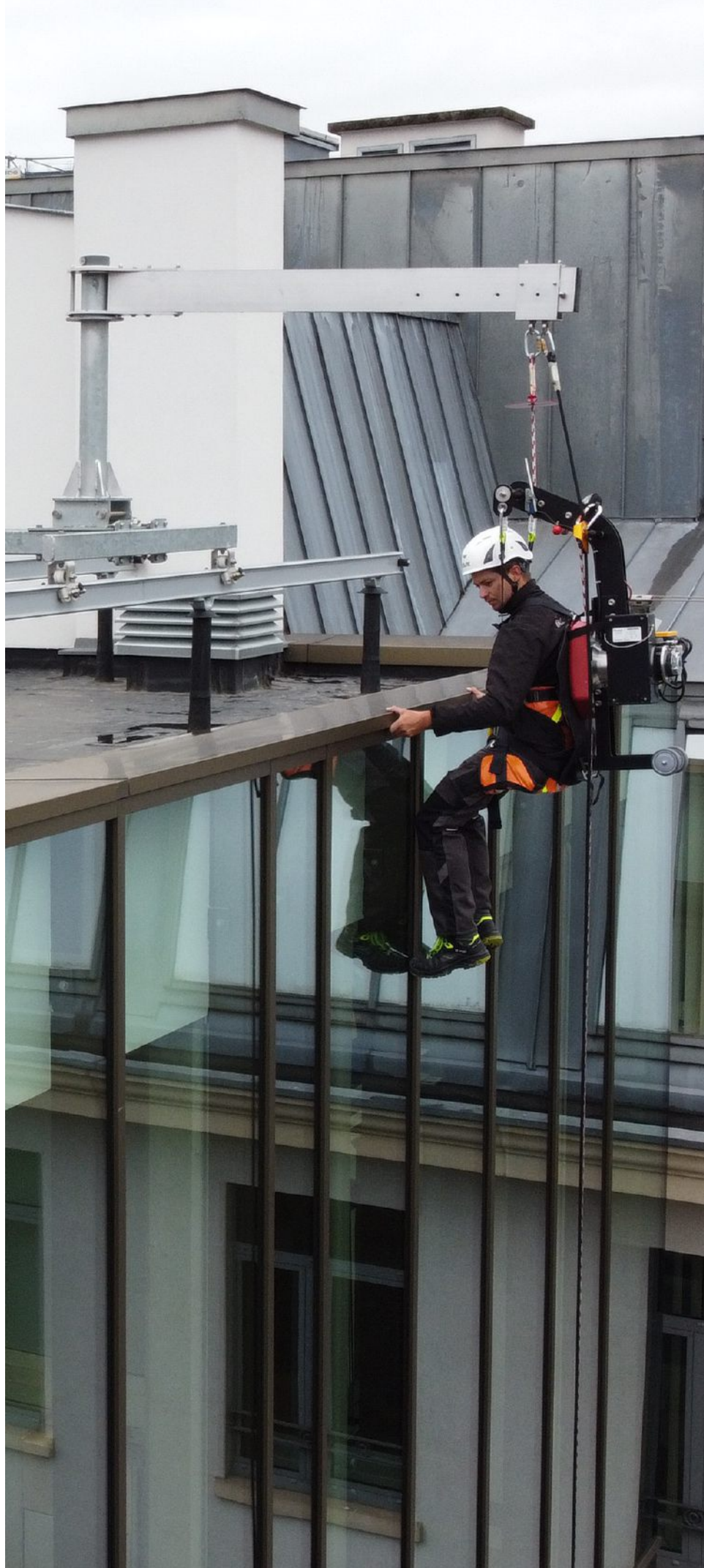
If the cradle is suspended from a motorized trolley, an HF control allows the trolley to be operated from the platform. The energy is supplied by batteries which ensure an autonomy of 8 hours of work, 2 batteries are placed in the cradle and a battery is fixed to the trolley

EN1808:2015



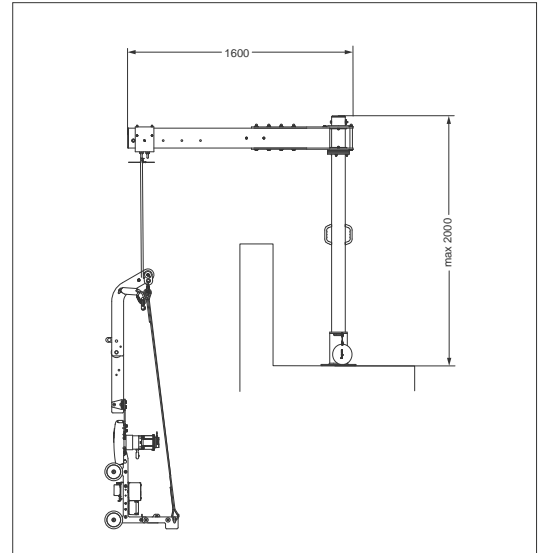
Suspension rigs

The suspension rigs could be fixed, for example a davit, or mobile, such as a trolley traversing on the roof or a monorail fixed to the perimeter of the building. The traversing movements are by manual push or motorized thanks to a battery. Fallprotec suspension rigs are relatively compact in order to reduce reactions on the roof. The mass suspended from the suspension rig depends on the type of platform and varies between 160 kg and 480 kg.

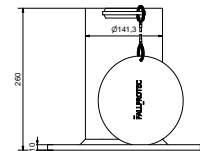


Fix davit

- The davit is a fixed suspension rig from which is suspended a bosun chair or a single-man cradle for cleaning small areas.
- The davit consists of a rotating arm and a mast, the parts are made of aluminium to allow less effort during rigging.
- To begin installation, the davit is fitted into a socket, a series of sockets are regularly distributed along the perimeter of the roof.
- The position of the suspension points along the arm is adjustable according to the width of the parapet between 600 and 1600 mm.
- The operator can reach the facade from the ground or from the roof by pivoting the arm towards the outside of the roof.

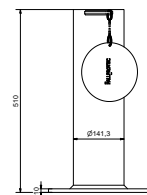
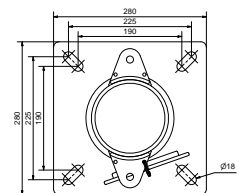


BS8610:2017 | EN1808:2015



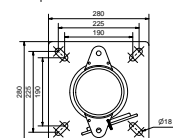
DAV007

Socket on roof
height 250mm
11,9kg



DAV008

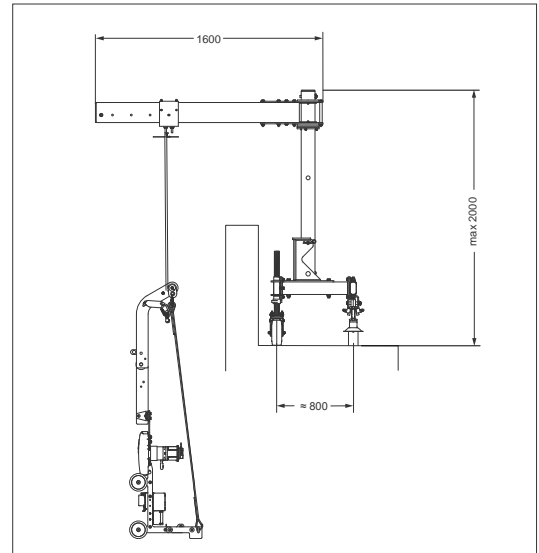
Socket on roof
height 500mm
17,5kg



Mobile davit

- The davit is installed on a trolley circulating along the perimeter of the building.
- The davit can be dismantled and stored in a garage.
- The stability of the mobile davit is ensured by the rear wheels which take up the tilting moment thanks to the Safeaccess aluminum rail fixed to the building every 3 m.
- The front wheels traverse on concrete slabs for example 50 x 50 x 8 cm, the height of the front wheels is adjustable in order to adapt to the height of the rail.
- The trolley moves by pushing thanks to a person on the roof.
- This particularly compact solution offers a good price-effectiveness ratio.

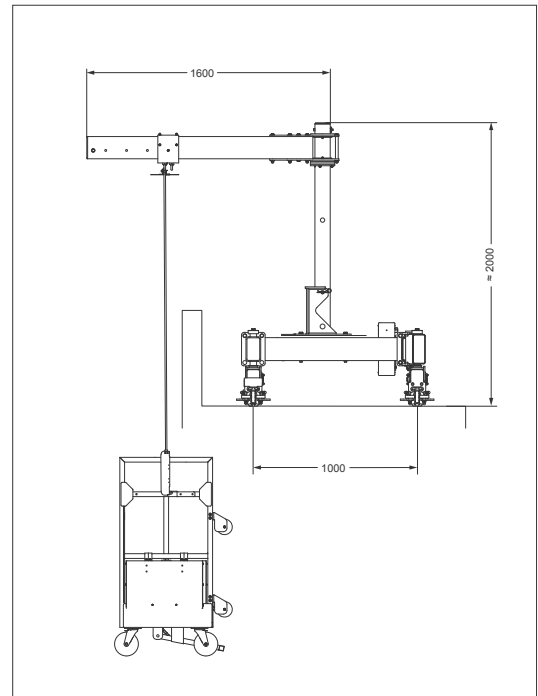
EN1808:2015



Mobile davit traversing on two rails

- The mobile davit traversing on two rails, the operator suspended on the facade has the possibility of traversing by pushing on the facade.
- This solution is more expensive than the previous solution but more efficient in operation.
- The mast and the jib are removable to minimize the aesthetic impact.
- The rails are in aluminum for an optimal finish or in galvanized steel.

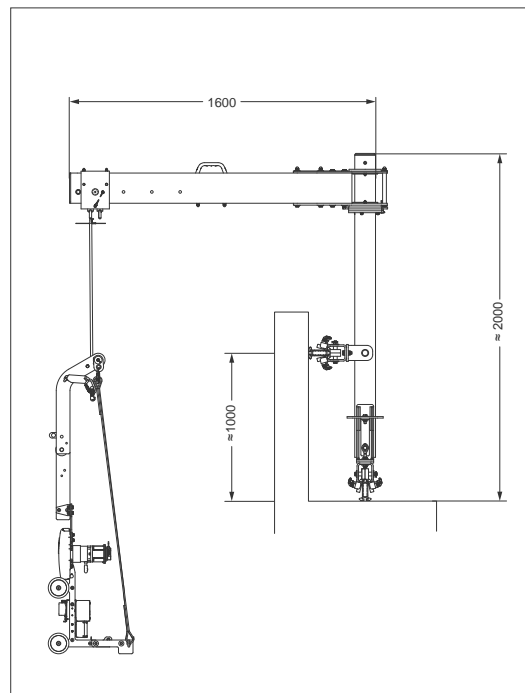
EN1808:2015



Mobile davit on parapet

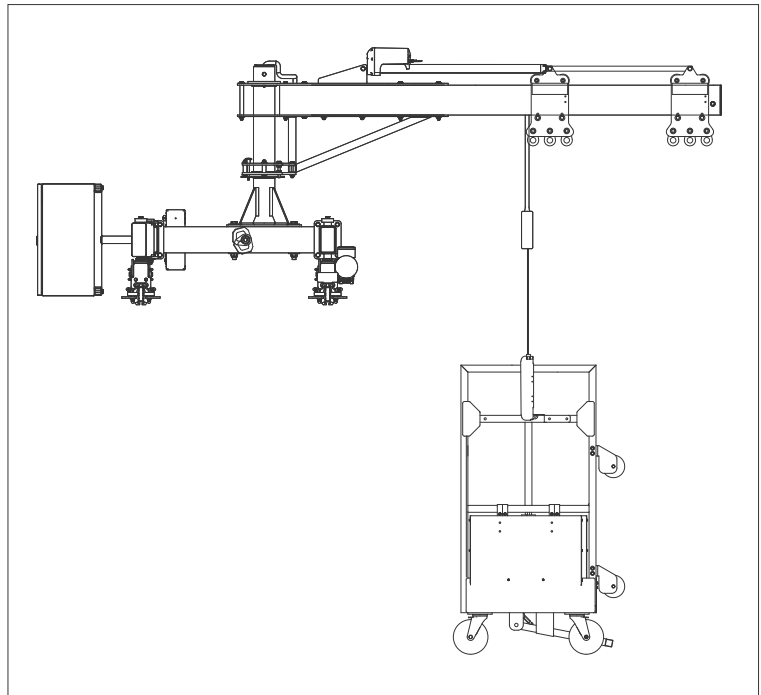
- The mobile davit traversing on two rails fixed to the parapet; the operator in the platform has the possibility of traversing by pushing on the facade.
- This particularly compact solution is also very efficient in operation.
- The mast and the jib are removable to minimize the aesthetic impact.
- The rails are in aluminum for an optimal finish or in galvanized steel.

EN1808:2015



Powered roof trolley for single-man cradle.

- The powered roof trolley traverses on two galvanized steel or aluminium rails.
- A single-man cradle is suspended from the trolley, which is equipped with an electric jack that allows the cradle to be positioned against the facade.
- The traversing motors and the jack are powered by a battery with an autonomy of 20 hours of work.
- In the parking position, the jib can be turned towards the roof



EN1808:2015



x1



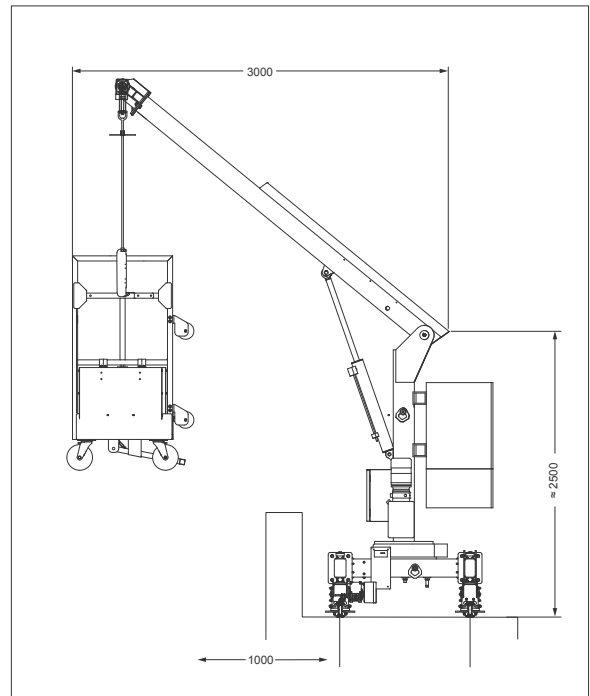
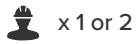
Powered roof trolley for two-men cradle

This BMU has all the features you want on this type of device:

- Raising of the arm thanks to an electric jack
- Rotation of the mast thanks to a slewing ring. (option)
- Traversing on aluminum or galvanized steel rails.

The platform can be stored during the cleaning period on the roof. During the winter period, it is advisable to store the platform in a garage.

EN1808:2015



Monorails

Monorails are used as a suspension structure for gondolas or for fifth wheels. This versatile equipment perfectly fits the shape of the building.

They can be curved and powder coated in any in any RAL color.






The preferred solution for buildings with an aesthetic scope, the SafeAccess C rail can also be concealed in the in the ceiling.

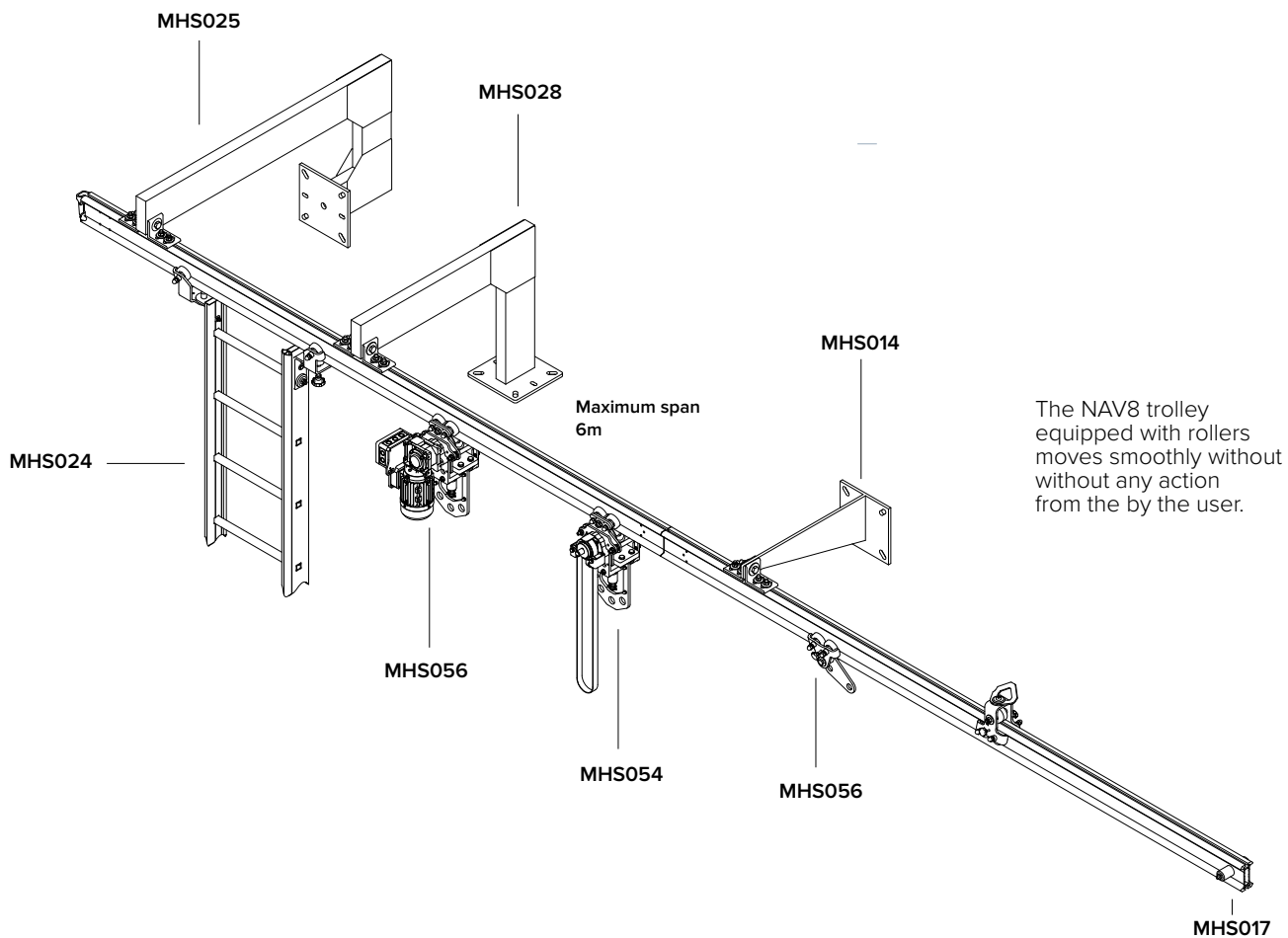


Monorail SafeAccess

- The SafeAccess consists of an aluminium rail fixed by a series of supports to the wall, ceiling or acroterion.
- The distance between supports is between 3 and 6 m depending on the suspended load.
- A one-man or two-men cradle is suspended from the monorail.
- The NAV trolleys are manual or motorized on sector or battery.

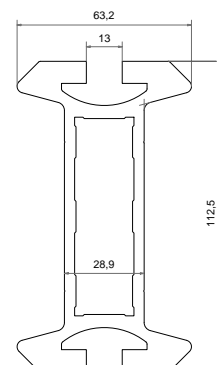
EN1808:2015

 x 2 rope access between supports				
--	---	---	---	---



MHS059





- Weight of the SafeAccess profile: 5kg / m.
- Delivered in lengths of 3000 or 6000mm
- Powder coated in grey RAL7040 resistant to the marine environment or anodized

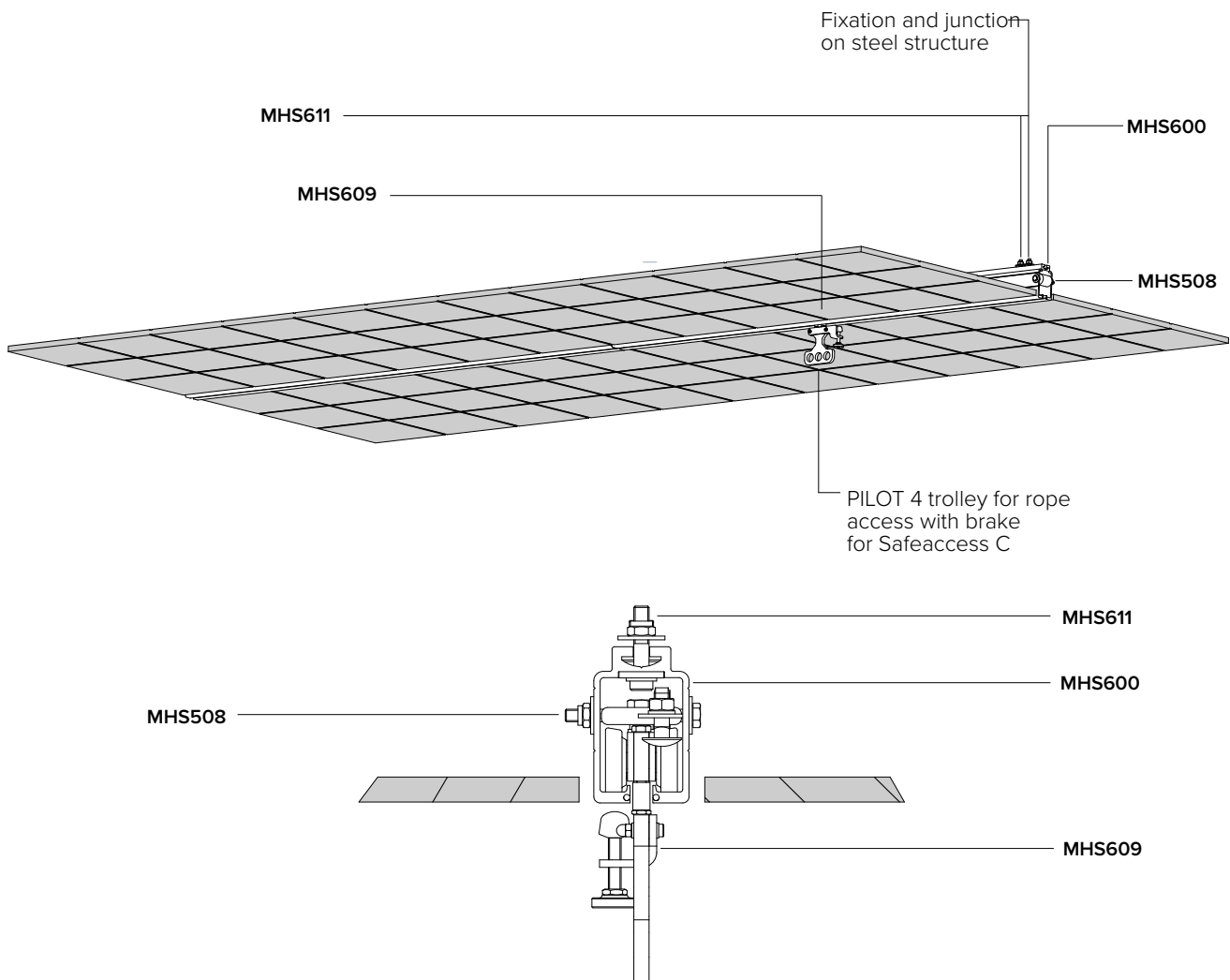


Monorail SafeAccess C

- The Safeaccess C consists of an aluminum rail hidden in a false ceiling.
- The distance between supports is 3m.
- A single or two-seater gondola is suspended from the monorail.
- The PILOT carts are manual or powered by mains or battery.

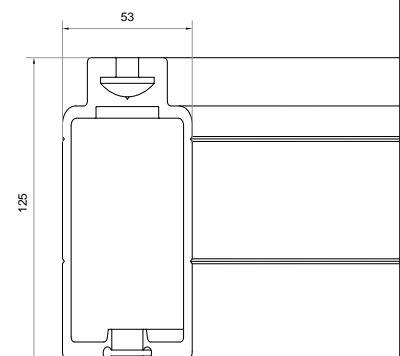
EN1808:2015

 <p>x 2 rope access between supports</p>	 <p>ALU 6060T6</p>		
--	---	---	---



MHS600

- Weight of SafeAccess C profile 5,65 kg / m.
- Supplied in lengths of 3000 or 6000mm.
- Rough finish, anodized or powder coated in any RAL color according to project requirements.
- Can be bent to any curve (minimum radius 800mm).

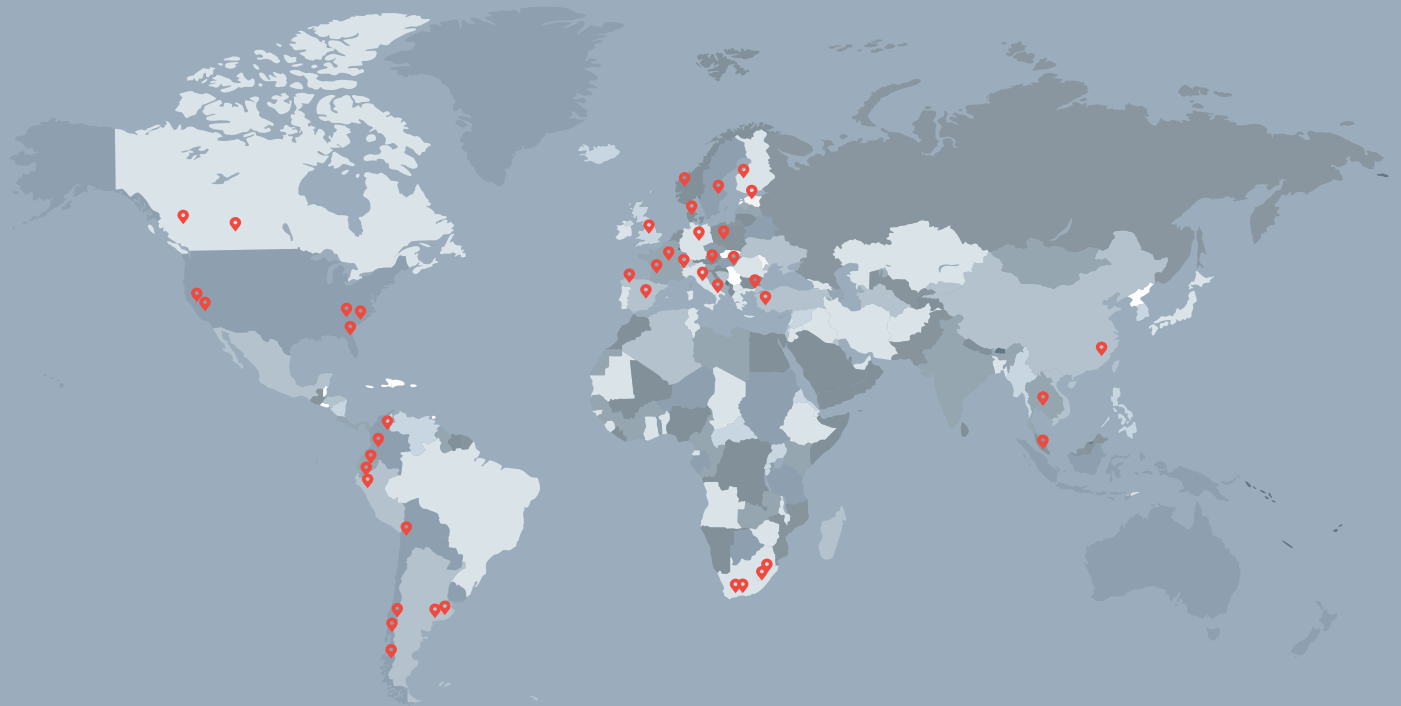


Fallprotec's products installed for the maintenance of facades

[Click here to follow the product YouTube playlist](#)

Fallprotec's internal engineering department had offered bespoke solutions for many sites, while working with a worldwide network of specialized installers, in order to master the complete process of securing plants against the risk of fall.

The scope of offered services includes risk assessments, site surveys, engineering, installation, commissioning, inspection and maintenance.



CHOOSING FALLPROTEC MEANS

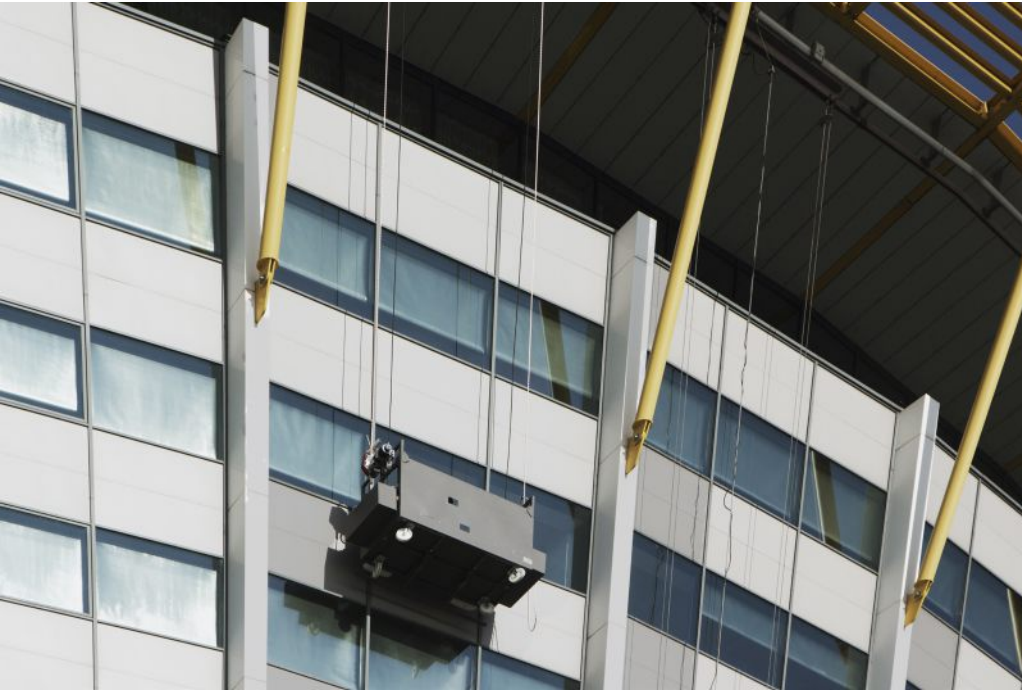
- One reference for global assistance
- Certified by independent notifying bodies as per latest European
- Quality control: ISO9001:2015. E.C. Quality of Production « Article 11B »
- Product liability insurance
- Warranty
- One-Stop-Shop



📍 Ven Amsterdam
Amsterdam, Netherlands



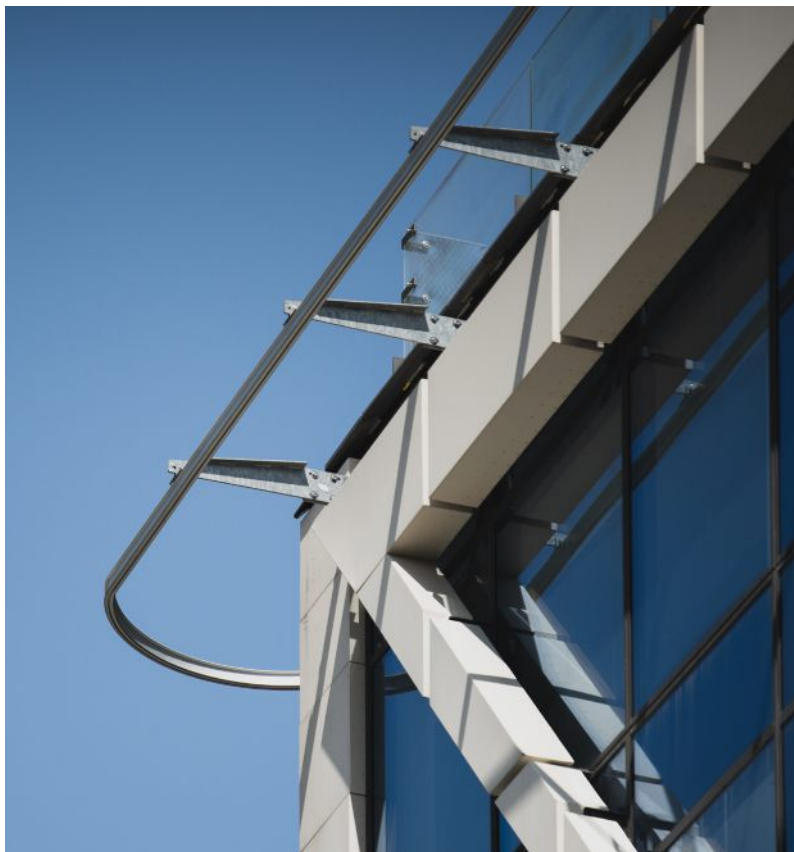
📍 Facilicom
Rotterdam, Netherlands



📍 KAPSARC
Riyad, Saudi Arabia



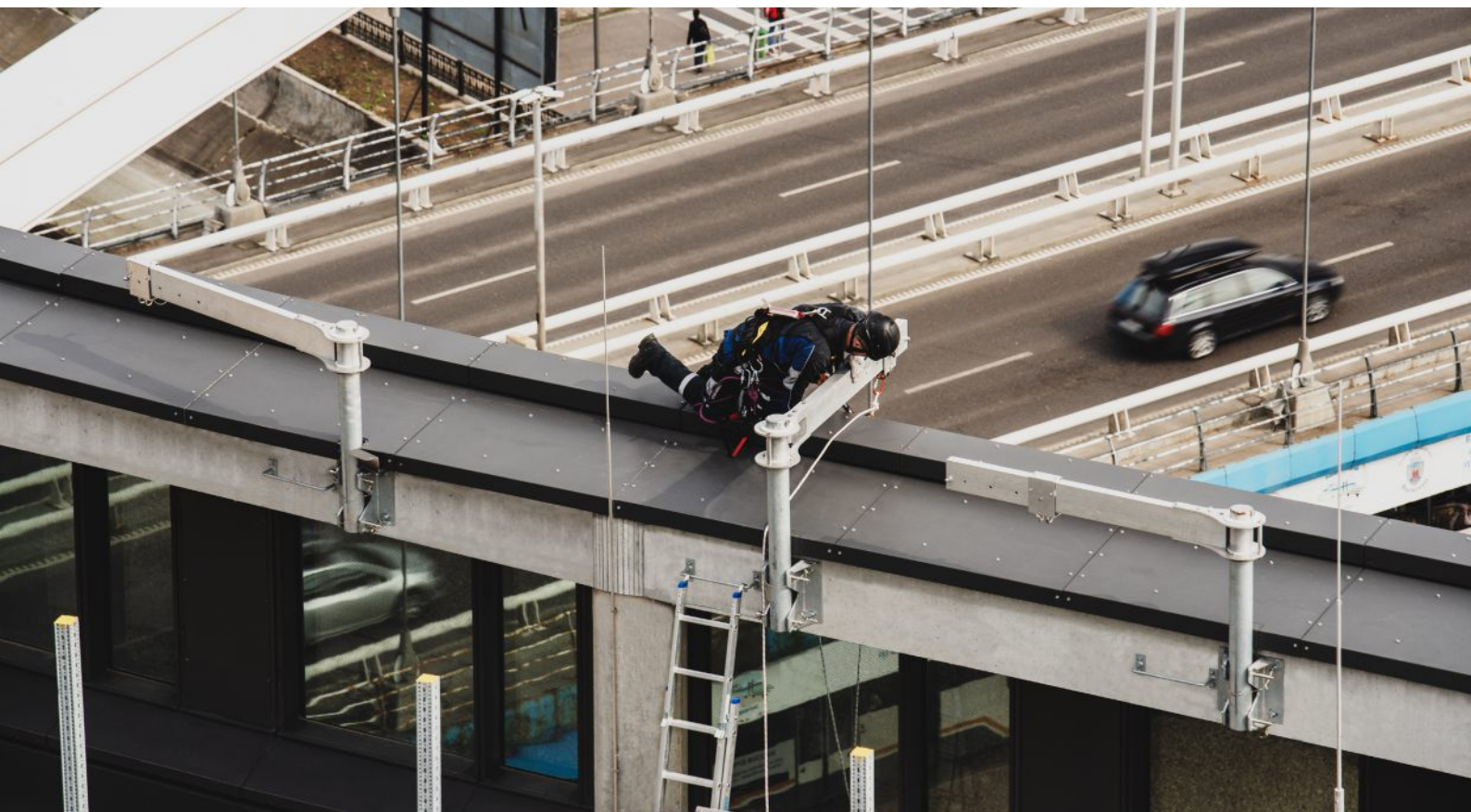
📍 Nikmi
Sofia, Bulgaria



📍 Commercial mall
Sandton, South Africa



📍 Financial center
Bucharest, Romania



FALLPROTEC SA

ZARO 2-4 rue Gustave Loosé
8346 Grass
Luxembourg

T: +352 26 55 09 30
marketing@fallprotec.com

FALLPROTEC SL

Eduard Calvet i Pintó 4
Pol. Ind. Vallmorena
08339 Vilassar de Dalt
España

T: +34 93 114 22 31
info@fallprotec.es

FALLPROTEC USA

3500 S Dupont Hwy
Dover, DE 19901
USA

T: +1 205 388 0548
usa@fallprotec.com

FALLPROTEC ME

JLT, Mazaya Business Avenue,
Tower BB1, Oce 1108
P. O. Box 487115
United Arab Emirates

T: +971 4 399 3764
eh@fallprotec-me.com

FALLPROTEC SRL

Via Giovanni Falcone 23
24050 Zanica Bergamo
Italia

T: +39 375 713 8515
va@fallprotec.com

+352 26 55 09 30
www.fallprotec.com

Follow us

fallprotec |    

FALLPROTEC

Height Safety Products

