

FALLPROTEC

Height Safety Products

+352 26 55 09 30 | www.fallprotec.com



FALLPROTEC
SAFEACCESS C



MONORAIL FOR SUSPENDED WORKS

ASME/ANSI-A120.1-2014 & IWCA I-14.1

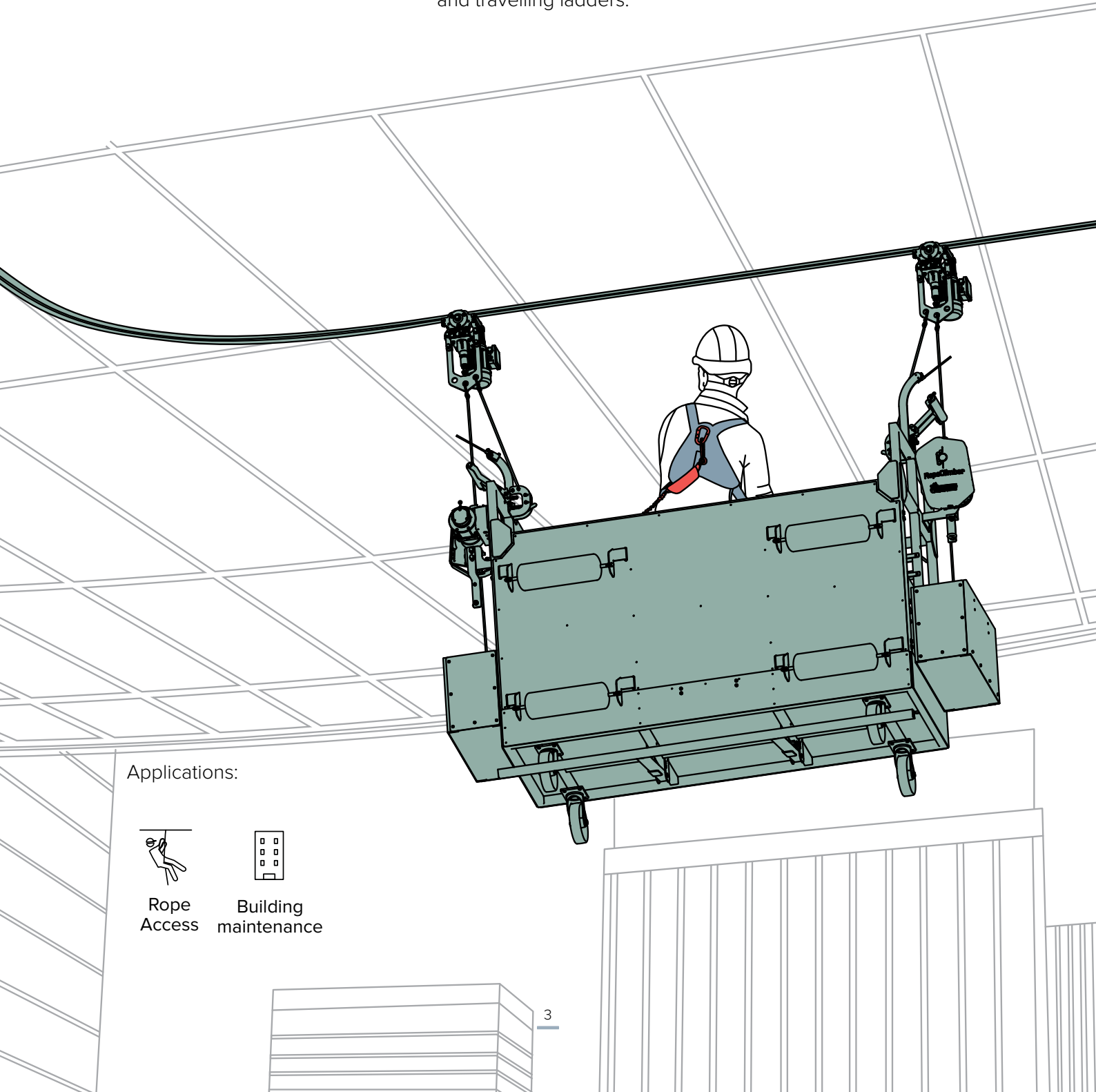
EN1808:2015 | 

The SafeAccess C is used in height access systems for façade cleaning and maintenance. This monorail is specially designed to be concealed in a false ceiling or building canopy. The C-shape enables the rail to blend in the environment. The trolleys run inside the channel of the profile.

An invisible maintenance system for architectural buildings

The SafeAccess C is designed and tested as per European and USA standards for suspended access. The combination of bracket, rail, trolley and suspended platforms forms a Building Maintenance Unit.

- Compatible with any type of architecture with a height between 5 and 250m.
- Compatible with rope access technicians, RopeClimber, cradles and travelling ladders.
- Discrete solution.
- Bespoke system, fitting your building. Our engineering department accompanies you for setting up the equipment.



Applications:



Rope Access



Building maintenance

SafeAccess C rail

The SafeAccess C rail is integrated in the suspended ceiling or the underside of the ceiling.

This solution is used for the maintenance and cleaning of façades inside the building.

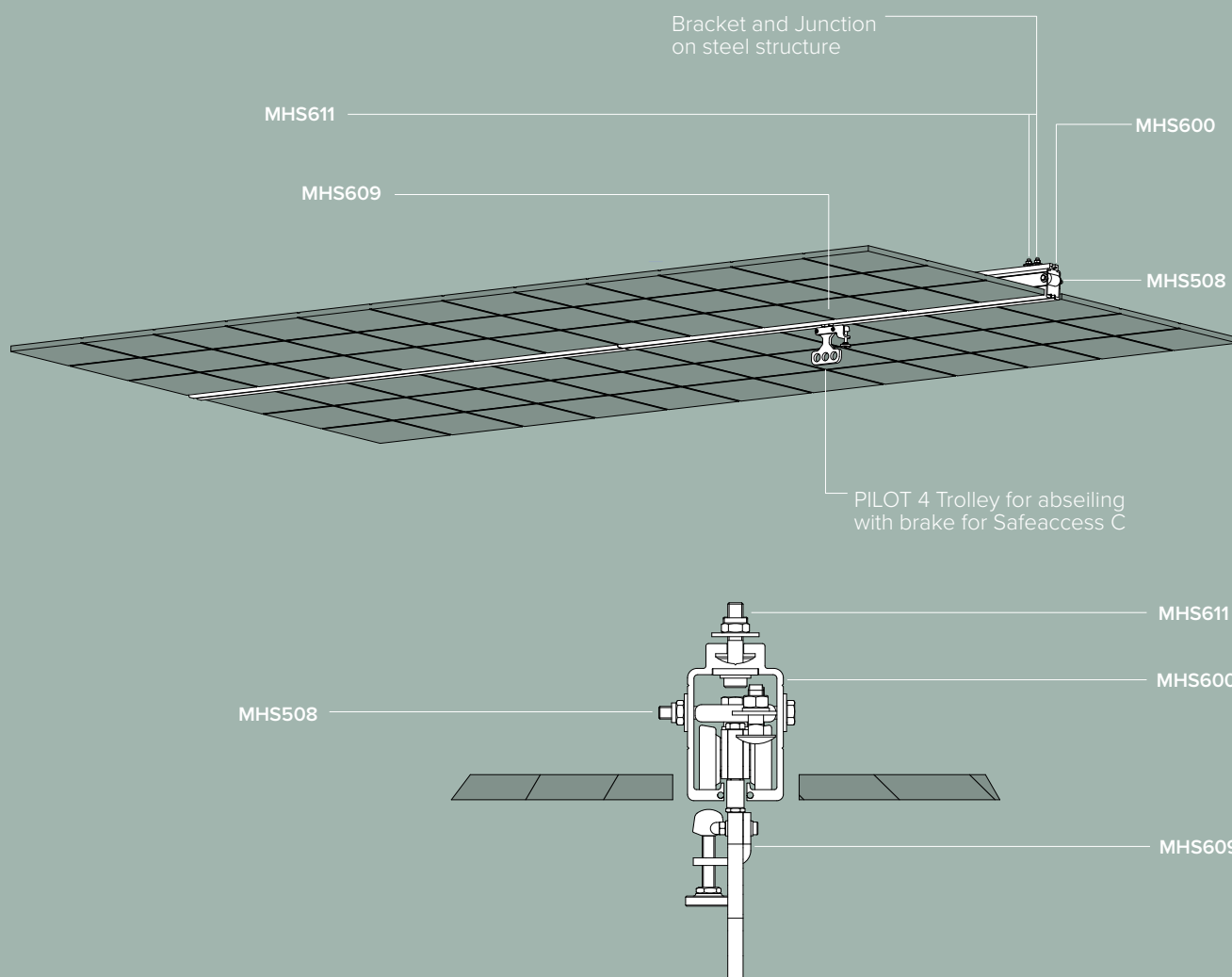
EN1808:2015



x 2
rope access
between supports

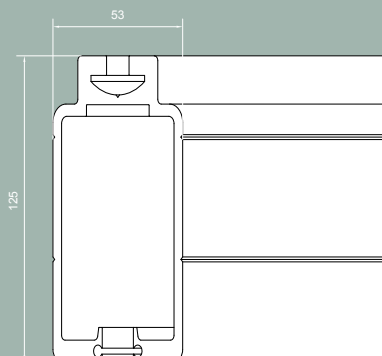


Click here to follow the product YouTube playlist



MHS600

- SafeAccess C profile weights 5,65 kg / meter.
- Delivered in lengths of 3000 or 6000mm.
- Mill finish or anodized or powder coated any RAL colour depending of the project requirements.
- Bendeable any angle (minimum radius of 800mm).



SafeAccess C brackets

The choice of brackets depends on 3 parameters :

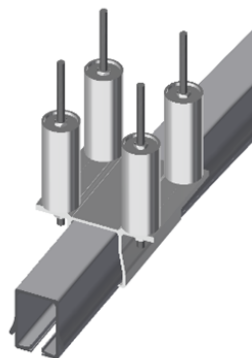
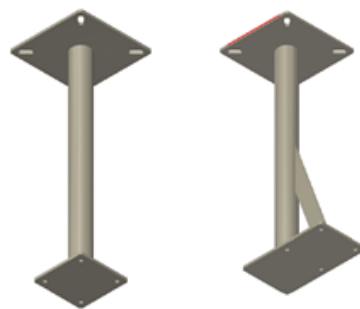
- The host structure. Is it concrete or steel beams ?
- The distance between the hoist structure and the false ceiling.
- Is an offset between the bracket

The target is to have the rail flush with the ceiling and at the appropriate distance from the facade.

For simple brackets, Fallprotec designs spacers to enable the rail to be flush with the ceiling.

For longer distances, Fallprotec manufactures rigid steel posts.

The engineer's department of Fallprotec creates bespoke designs, calculation notes, implantation drawings etc.

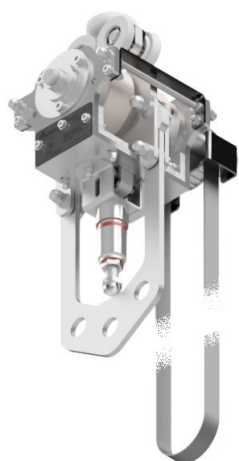


SafeAccess C trolleys

Pilot 1 Trolley

Traversing trolley with rope and pulley.

MHS603



Pilot 4 Trolley

Trolley with manual translation for abseiling works. The trolley is equipped with a manual brake.

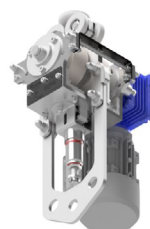
MHS609



Pilot 2 Trolley

Motorised trolley, recommended for distances over 100m.

MHS604



Fallprotec's SafeAccess C systems worldwide

[Click here to view more
case studies worldwide
on our website](#)

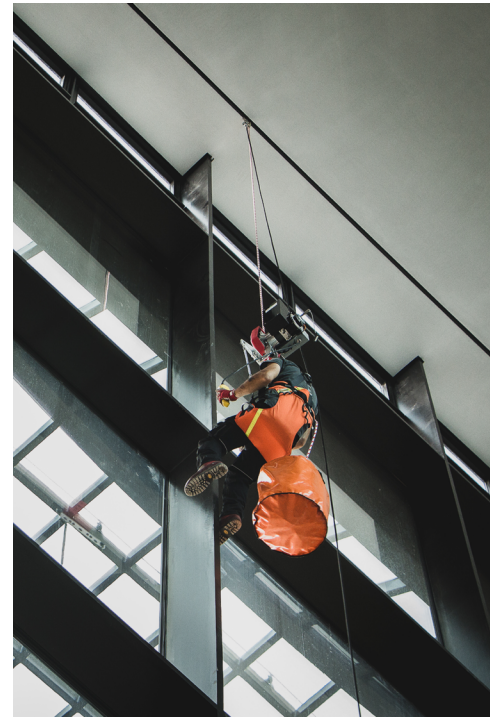


CHOOSING FALLPROTEC MEANS

- One reference for global assistance
- Certified by notifying bodies as per latest European standard
- Quality control: ISO9001:2015.
E.C. Quality of Production « Article 11B »
- Product liability insurance
- Warranty
- One-Stop-Shop



📍 Ernst & Young
Luxembourg, Luxembourg



📍 Geneva airport
Geneva, Switzerland



📍 Boekenkantoor
Netherlands



📍 Heart of Doha
Doha, Qatar



FALLPROTEC SA

ZARO 2-4 rue Gustave Loosé
8346 Grass
Luxembourg

T: +352 26 55 09 30
marketing@fallprotec.com

FALLPROTEC SL

Eduard Calvet i Pintó 4
Pol. Ind. Vallmorena
08339 Vilassar de Dalt
España

T: +34 93 114 22 31
info@fallprotec.es

FALLPROTEC ITALY

Via Giovanni Falcone 23
24050 Zanica Bergamo
Italy

T: +39 375 713 8515
va@fallprotec.com

FALLPROTEC USA

3500 S Dupont Hwy
Dover, DE 19901
USA

T: +1 205 388 0548
usa@fallprotec.com

FALLPROTEC ME

JLT, Mazaya Business Avenue,
Tower BB1, Oce 1108
P. O. Box 487115
United Arab Emirates

T: +971 4 399 3764
eh@fallprotec-me.com

+352 26 55 09 30
www.fallprotec.com

Follow us

fallprotec |    

FALLPROTEC

Height Safety Products

