

**FALLPROTEC**

Height Safety Products

+352 26 55 09 30 | [www.fallprotec.com](http://www.fallprotec.com)

# FALLPROTEC SECUROPE CABLE LIFELINE SYSTEM ON STANDING SEAM ROOF





Stockholm, Sweden

# CABLE LIFELINE FOR FALL ARREST, FALL RESTRAINT & MAINTENANCE OF INDUSTRIAL ROOFS.

EN795:2012 Type C | CEN/TS 16415:2013  
ANSI/ASSP Z359.6: 2009  
OSHA1910 Subpart D  
CSA Z259.16



Falls from height account for 35% of fatal injuries at work in the United Kingdom in 2021.\* Standing Seam roofs are especially prone to accidents as they are sloped, slippery when humid despite of the thickness of their metal that could offer many advantages like cost savings, durability...

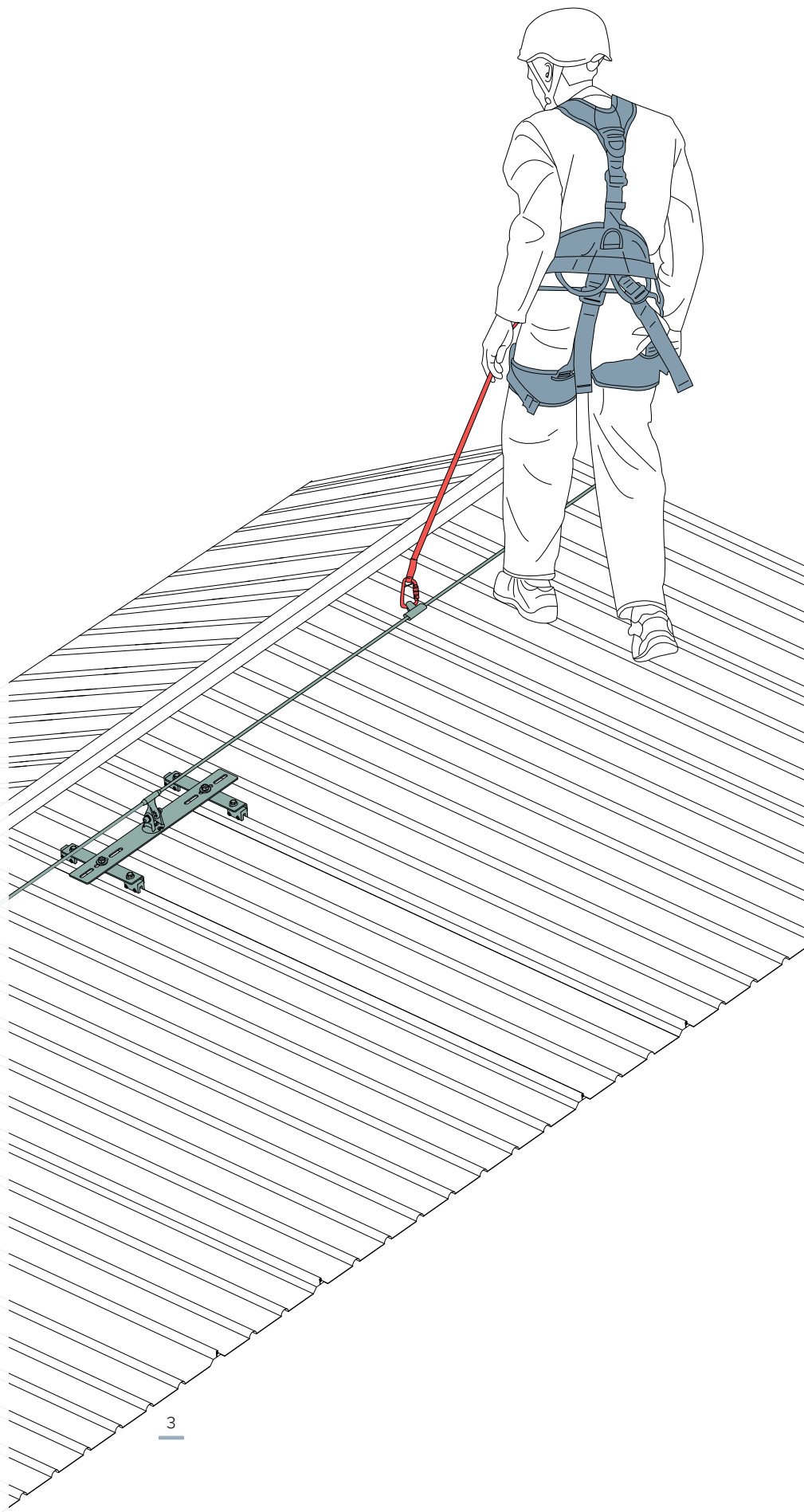
Since industrial roofs require maintenance for the solar panels, ventilation systems and other equipment, the workers must access the roof safely. The Securope 2012 lifeline, combined with the proper PPE equipment, enables the worker to reach safely any point of the roof.

Links:  
<https://www.hse.gov.uk/statistics/fatals.htm>\*  
E.U. statistics: <https://bit.ly/3GwbVhs>  
USA Statistics: <https://bit.ly/3siZPmM>

# A reliable system for all types of Standing Seam Roofs

The SecuRope cable lifeline system on standing seam roof has been tested and certified according to European standards.

- Number users (EN)  
= Up to 4 users
- Number of users (ANSI & CSA) = 2 users
- Easy mounting.
- Aesthetic aspect.
- Special clamps for copper roofs
- Clamped on the seam, no drilling of the panels required.
- Wide range of clamps for seams
- Aluminium and stainless steel components
- Compatible with Securope, Securail and Securail Pro.
- Lifeline component in high grade stainless steel AISI 316, compatible with marine environment.



## Applications:



Industry



Buildings



Fall  
restraint



Fall  
Arrest

# Securope Lifeline on Standing Seam Roof

Securope lifeline on structures like standing seam roof could be fixed by fasteners designed by Fallprotec, thus, there's no need to pierce the panel .

Securope lifeline on standing seam roof, attached with Securope fixing assembly, does not jeopardize the integrity of the roof.

 Click here to follow the product YouTube playlist

EN795:2012 Type C | CEN/TS 16415:2013

ANSI/ASSP Z359.6: 2009

OSHA1910 Subpart D

CSA Z259.16

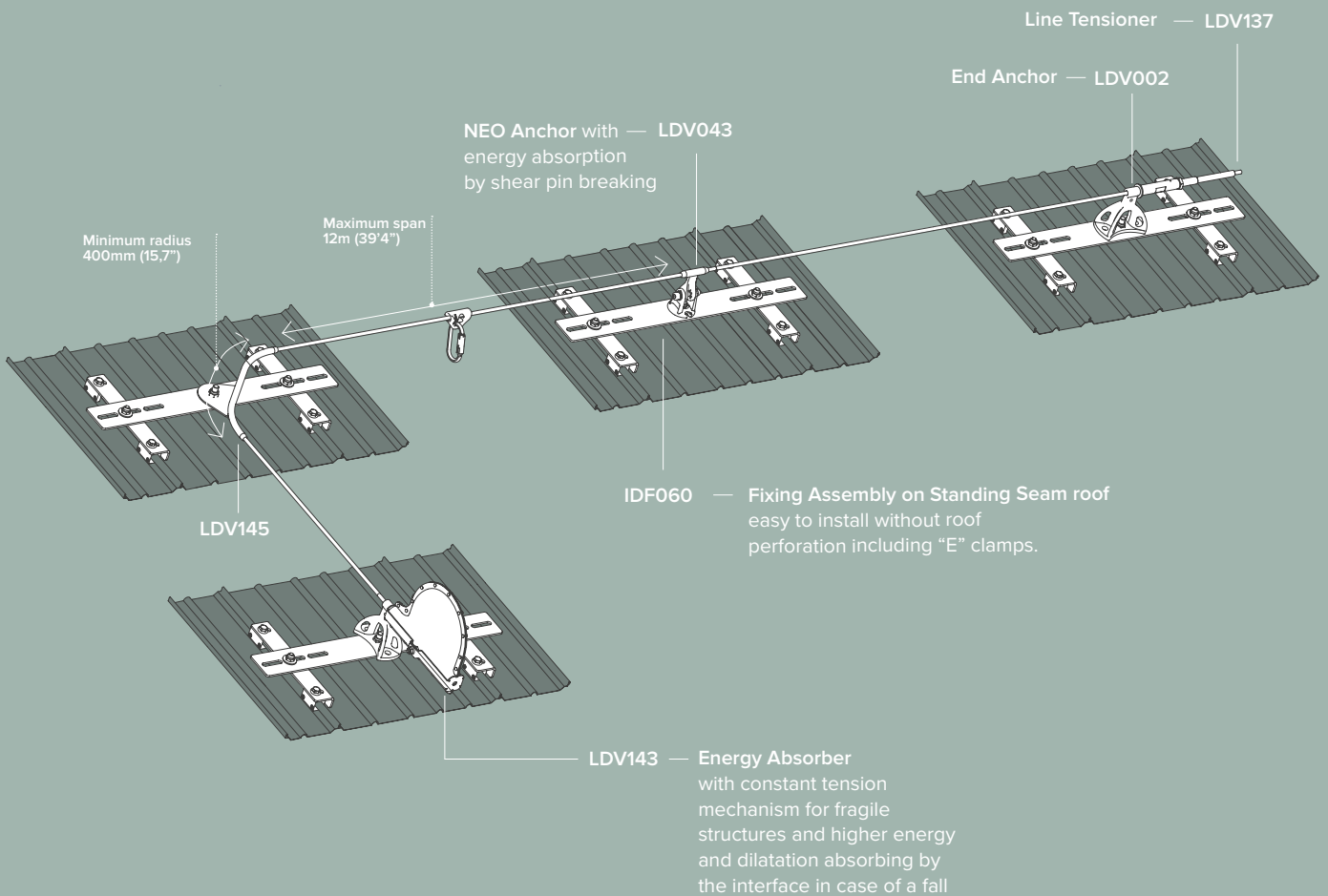


(EN)  
x 4

(ANSI&CSA)  
x 2

AISI  
316

AISI  
304



# Advantageous components that make the difference to other systems

## Glider

Glider with locking mechanism for roofs with more than 15° slope. Enables the user to walk safely along the entire lifeline.

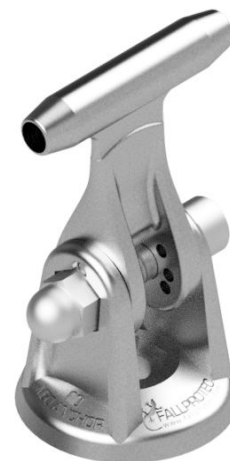
LDV275



## Neo Intermediate Anchor

It's integrated with the energy absorber in case of a fall, it will reduce the efforts and absorb the energy, and it's passable through.

LDV043



## Absorbtec

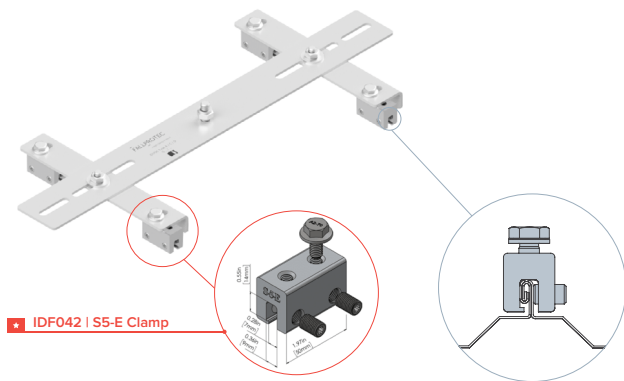
Energy absorber that reduce the load transmitted at the extremities.

LDV143



# Fixing Assemblies & Types of Seam

## Fixing Assembly - IDF060-E

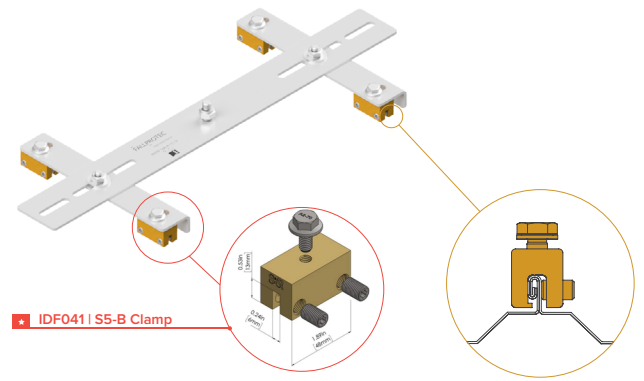


Fixing assembly for Double-folded Standing Seam

- Distance between seams is between 240 mm (9,4") & 620 mm (24,4")
- Esthetic and economical solution
- Most common used in Europe

KG 3,20    LBS 7,05    AISI 304

## Fixing Assembly - IDF060-B

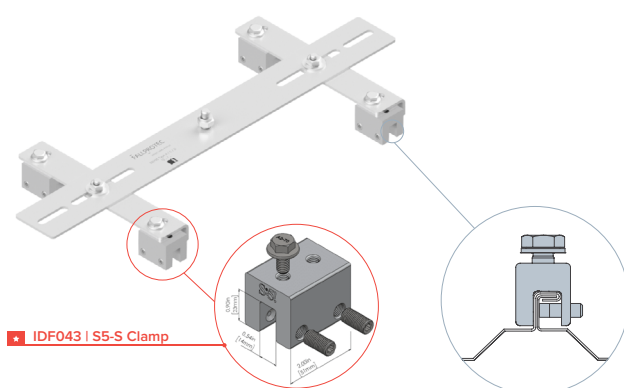


Fixing assembly for double-folded Cooper Standing Seam

- Distance between seams is between 240 mm (9,4") & 620 mm (24,4")
- Copper roofing (most noble type of roofing) with copper clamps
- Timeless elegance and durability

KG 3,70    LBS 8,15    AISI 304

## Fixing Assembly | IDF060-S

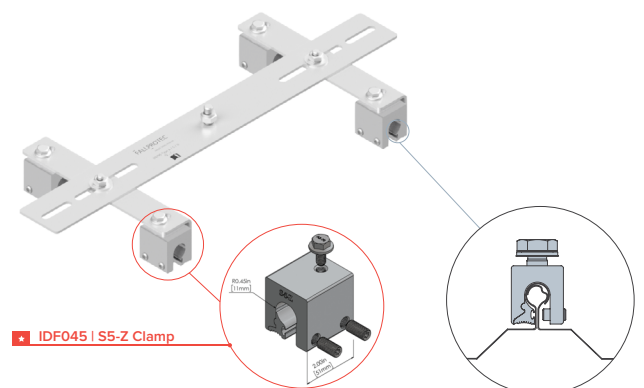


Fixing assembly for Single-folded or special standing seam

- Distance between seams is between 240 mm (9,4") & 620 mm (24,4")
- Most suitable for wider or particular shapes

KG 3,40    LBS 7,49    AISI 304

## Fixing Assembly | IDF060-Z

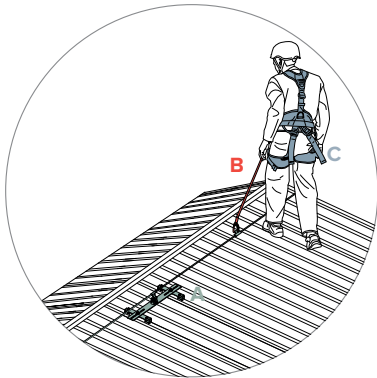


Fixing assembly for round Bulbshaped standing seam roof

- Distance between seams is between 240 mm (9,4") & 620 mm (24,4")
- The most resistant on the market

KG 3,70    LBS 8,15    AISI 304

# Mounting equipment



A

## Anchorage

Fallprotec has designed an entire range of fixing assemblies suitable for host structure types. The internal engineering department of Fallprotec also offers bespoke fixation assemblies on demand.

## Fallprotec lifeline systems:

All the components of the SecuRope Cable Lifeline on Standing Seam roofs are in stainless steel, designed to be extremely resistant to corrosion, fire and heat which therefore a greater durability and sustainability.

B

## Connecting Devices

PPE Equipment connecting the operator to the system, restraining them in case of a fall.

The PPE are designed to limit the energy transmitted to the user to a maximum of 6KN.

## Fallprotec PPE:

### Self retractable lanyard

IHWS



 x 1	 3,70	 8,15
---	--	--

With aluminium casing and galva steel rope.

### Single lanyard 2 m

HAR010



EN354/355/362

 x 1	 0,50	 1,1	 2m 78,7"
---	--	---	---

 x 2  
20mm opening Zinc plated steel

With energy absorber

C

## Body Support

A safety harness is a personal protective equipment (PPE) that is designed to catch a person in the event of a fall while working at height. Our Prolight harness diffuses fall arrest energy across the shoulders, thighs and pelvis.

## Fallprotec PPE:

### Harness Prolight

HAR001 / 002 / 003



EN361:2012

 x 1	 0,93	 2,05
---	--	--

Resistant, lightweight fabric. Comfortable for the user.

### Ergonomic helmet for works at height

HAR087



EN12492

 x 1
---

# Fallprotec's SecuRope on Standing Seam Roof worldwide

Click here to view more  
case studies worldwide  
on our website



## CHOOSING FALLPROTEC MEANS

- One reference for global assistance
- Certified by notifying bodies as per latest European standard
- Quality control: ISO9001:2015.  
E.C. Quality of Production « Article 11D »
- Product liability insurance
- Warranty
- One-Stop-Shop

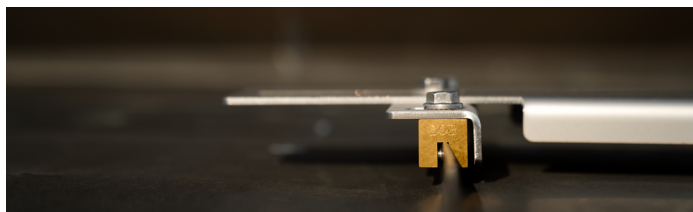
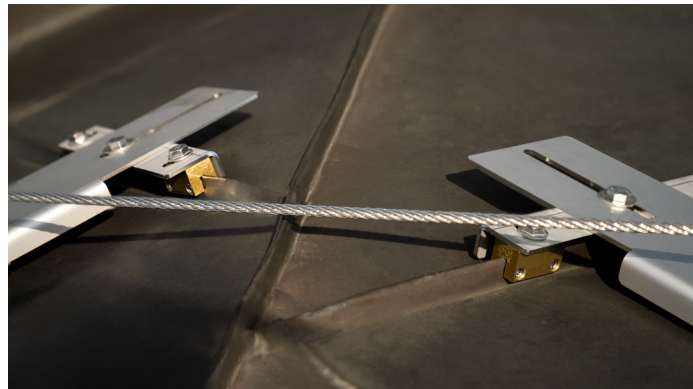
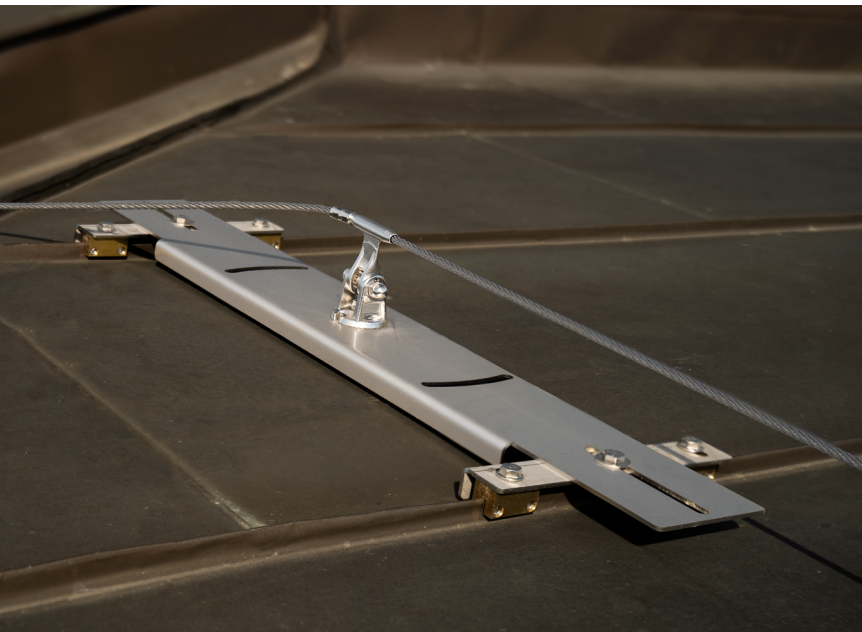




📍 Roof maintenance  
Stockholm, Sweden



📍 Roof maintenance  
Hofburg, Vienna



## FALLPROTEC SA

ZARO 2-4 rue Gustave Loosé  
8346 Grass  
Luxembourg

T: +352 26 55 09 30  
marketing@fallprotec.com

## FALLPROTEC SL

Eduard Calvet i Pintó 4  
Pol. Ind. Vallmorena  
08339 Vilassar de Dalt  
España

T: +34 93 114 22 31  
info@fallprotec.es

## FALLPROTEC ITALY

Via Giovanni Falcone 23  
24050 Zanica Bergamo  
Italy

T: +39 375 713 8515  
va@fallprotec.com

## FALLPROTEC USA

3500 S Dupont Hwy  
Dover, DE 19901  
USA

T: +1 205 388 0548  
usa@fallprotec.com

## FALLPROTEC ME

JLT, Mazaya Business Avenue,  
Tower BB1, Oce 1108  
P. O. Box 487115  
United Arab Emirates

T: +971 4 399 3764  
eh@fallprotec-me.com

+352 26 55 09 30  
[www.fallprotec.com](http://www.fallprotec.com)

Follow us

fallprotec | [f](#) [@](#) [in](#) [You Tube](#)

---

# FALLPROTEC

—  
Height Safety Products

