

FALLPROTEC

Height Safety Products

+352 26 55 09 30 | www.fallprotec.com

FALLPROTEC SECUROPE CABLE LIFELINE SYSTEM ON STEEL BEAMS





📍 Belgium

CABLE LIFELINE FOR FALL ARREST, & FALL RESTRAINT.

EN795:2012 Type C | CEN/TS 16415:2013
ANSI/ASSP Z359.6: 2009
OSHA1910 Subpart D
CSA Z259.16



Overhead cable lifelines are the preferred option whenever a building structure enable them. By installing the lifeline above shoulder level, the fall clearance is minimized.

For instance, industrial sites require access at height in specific areas. Protecting the workers with collective protection is not always possible to secure the maintenance and repair operations.

Overhead lifelines are frequently installed:

- along gantry cranes
- for access on machinery
- for access on vehicles

A reliable system for all types of Steel Beam

The SecuRope cable lifeline system on steel beam has been tested and certified according to European standards.

- Number users (EN)
= Up to 4 users
- Number of users (ANSI & CSA) = 2 users
- Stainless steel, robust and long-lasting material
- Freehand system
- Undeformable system
- Smooth movements along the lifeline
- Energy absorbing on intermediate anchors
- Reduced cable deflection (in overhead configuration)
- Harmonized design for standard beams with a flange from 50 to 300mm (1,96" to 11,81")
- The glider passes smoothly over NEO anchor with a retractable fall arrester
- Clamping perpendicularly or in parallel to the axis of the exerted force
- Compatible with SecuRope, SecuRail, SecuRail Pro and SafeAccess
- Custom made solution adapted to the project's beams and potential obstacles



Applications:



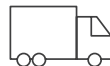
Industry



Fall
restraint



Fall
arrest



Over
Trucks

SecuRope LifeLine clamped on Steel Beams

The NEO SecuRope lifeline is clamped to beams. Using this type of fastening enables a solid fixation of the lifeline without drilling. Particularly useful for industrial configurations, this cable lifeline can stop a fall with very low cable deflection.

The SecuRope cable lifeline can be attached to beams through a bracket involving clamps or counter-plates and bolts. Using this type of fastening enables a solid fixation of the lifeline without drilling the hoisting structure. Fallprotec's engineering department can design & calculate special brackets for any size of beam and project requirement.

EN795:2012 Type C | CEN/TS 16415:2013

ANSI/ASSP Z359.6: 2009

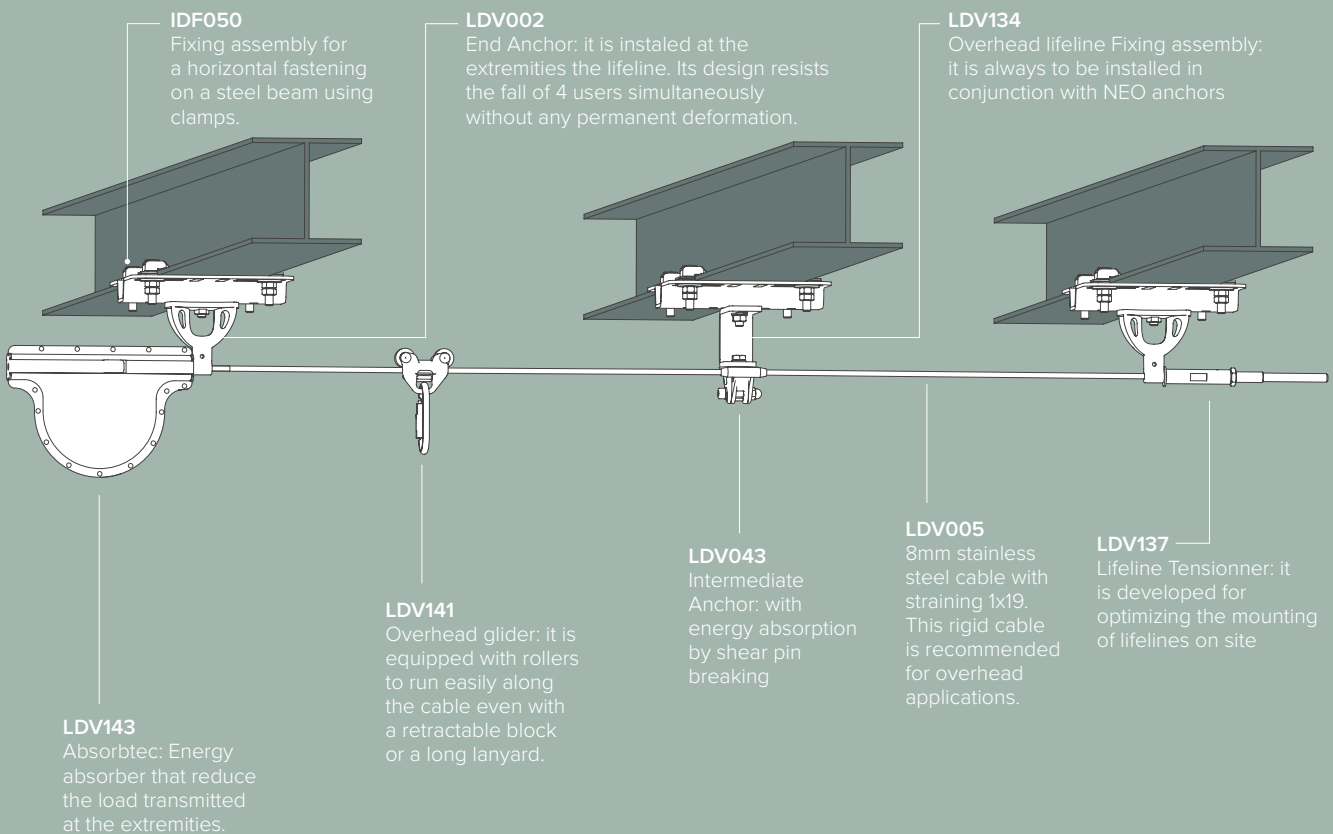
OSHA1910 Subpart D

CSA Z259.16

 (EN) x 4	(ANSI&CSA) x 2	AISI 316	AISI 304	



Click here to follow the product YouTube playlist



Advantageous components that make the difference to other systems

End Anchor

The end anchor is equipped with an energy absorber which reduces the force transmitted to the host structure in case of a fall.

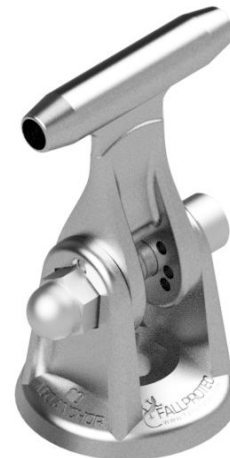
LDV002



Neo Intermediate Anchor

The Neo Intermediate Anchor, with energy absorption by shear pin breaking, is integrated with the energy absorber in case of a fall, it will reduce the efforts and absorb the energy, and it's passable through.

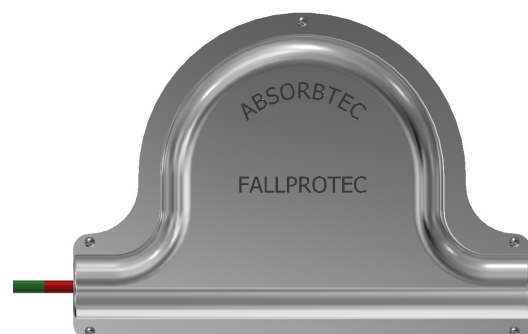
LDV043



Absorbtec

Energy absorber with constant tension mechanism for fragile structures to reduce the load transmitted at the extremities.

LDV143



Fixing Assembly

Fixation for horizontal beams - IDF050

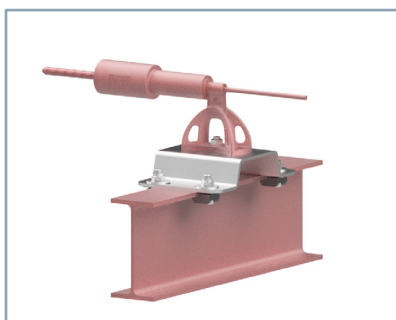
Fixing assembly for a horizontal fastening on a steel beam using clamps.
Compatible with all types of Fallprotec anchoring devices for horizontal or inclined lifeline.



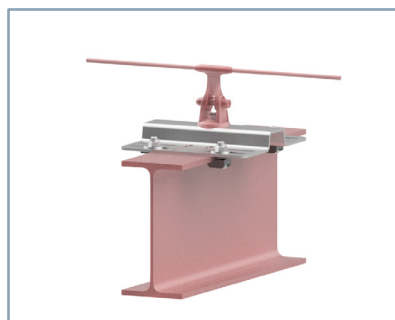
Perpendicular
load to the beam



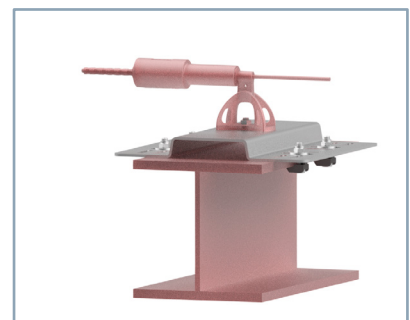
Clamps type A



Clamped bracket
for horizontal beam between
50 to 100 mm (2 to 3.9")



Clamped bracket
for horizontal beam between
100 to 200 mm (3.9 to 7.8")



Clamped bracket
for horizontal beam between
200 to 300 mm (7.8 to 11.8")

Fixation for vertical beams - IDF051

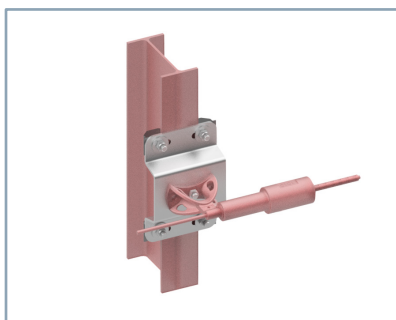
Fixing assembly for a vertical fastening on a steel beam using clamps.
Compatible with all types of Fallprotec anchoring devices for horizontal or inclined lifeline.



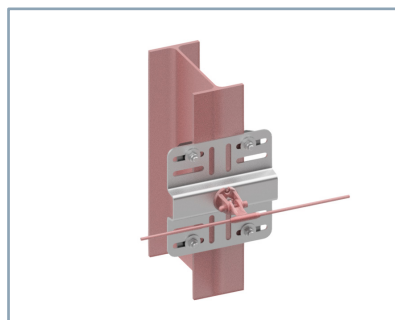
Parallel
load to the beam



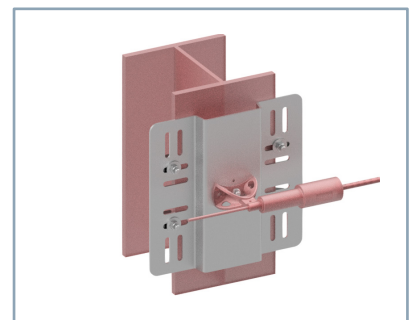
Clamps type AF



Clamped bracket
for vertical beam between
50 to 100 mm (2 to 3.9")



Clamped bracket
for vertical beam between
100 to 200 mm (3.9 to 7.8")



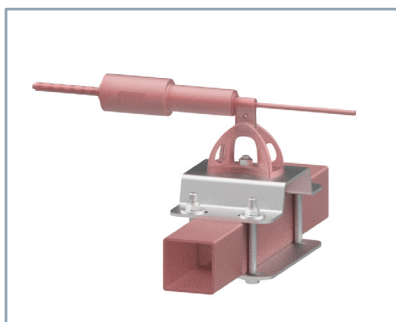
Clamped bracket
for vertical beam between
200 to 300 mm (7.8 to 11.8")

Fixing Assembly

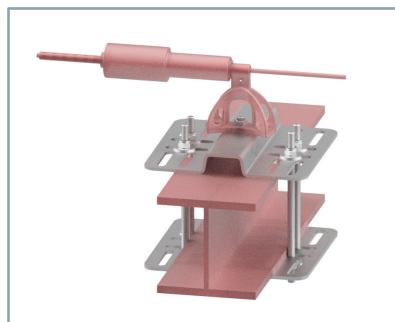
Fixing assembly for fastening on a steel beam using a counter plate - IDF055

The fixing assembly IDF055 is counter-plated to rectangular profiles or beams. IDF055 is ideal as it preserves the integrity of the supporting structure. Compatible with all types of Fallprotec anchoring devices for horizontal or inclined lifelines. Also usable on wood or concrete under certain conditions.

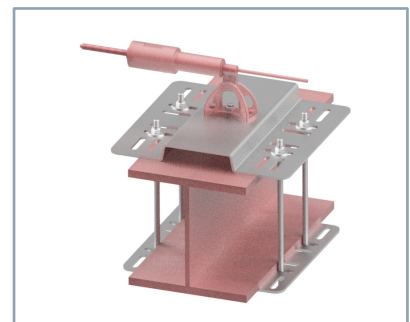
AISI 304



Fixing bracket with counter-plate for beam between 50 to 100 mm (2 to 3.9")



Fixing bracket with counter-plate for beam between 100 to 200 mm (3.9 to 7.8")





Fixing bracket with counter-plate for beam between 200 to 300 mm (7.8 to 11.8")

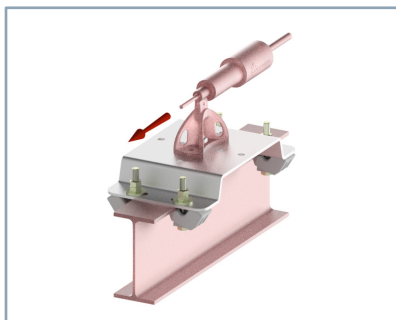
Clamped bracket for column - IDF066

Fixing assembly for a fastening on a steel beam using clamps. The clamps are adjustable and can be used on various beam thicknesses (from 5 to 23mm). Compatible with all types of Fallprotec anchoring devices for horizontal or inclined lifeline. Recommended bracket if the specialized installer couldn't measure precisely the thickness of the flange.

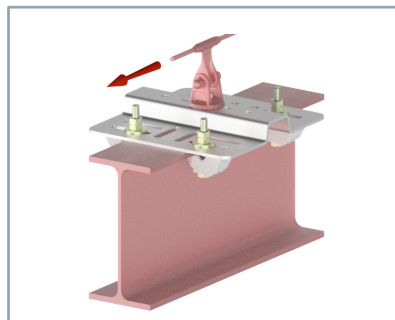
AISI 304

 Parallel load to the beam

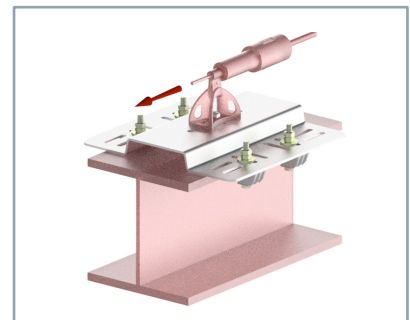
 Clamps type AAF



Slip resistant clamped bracket for column between 50 to 100 mm (2 to 3.9")



Slip resistant clamped bracket for column between 100 to 200 mm (3.9 to 7.8")



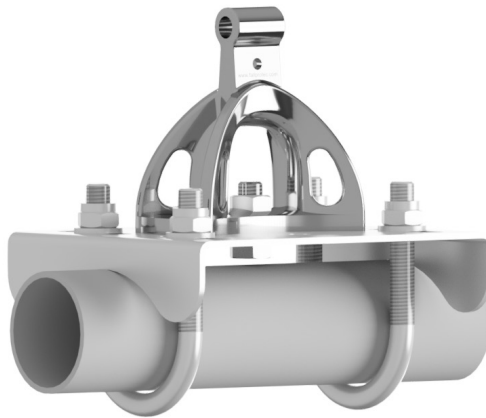
Slip resistant clamped bracket for column between 200 to 300 mm (7.8 to 11.8")

Customized solutions by our engineering department

Fallprotec designs, calculates and manufactures customized brackets to meet the site requirements. The base plate matches the special beams' size (round tubes or other) or the post. It is used to lower lifeline in order to avoid obstacles. It is either fixed with clamps or with a backplate. Non deformable design in coated steel, galvanized steel or stainless steel depending of the environment.

Clamped tube Ø60 mm

Fixing assembly for a horizontal fastening on a steel beam using clamps.
Compatible with all types of Fallprotec anchoring devices for horizontal or inclined lifeline.



Post clamped on HEB 160 (500mm)

Fixing assembly for a vertical fastening on a steel beam using clamp



Downward View



Upward View

Accessories & Fixing

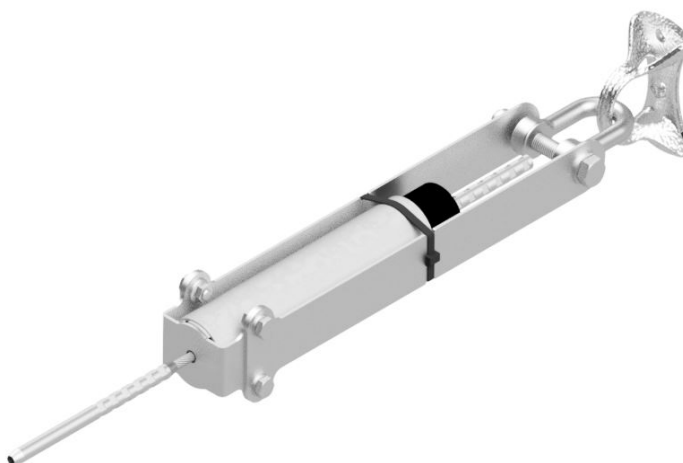
End anchor, wall fixing fitted with turnbuckle - LDV054

The end anchor to the wall with tensioner enables the mounting of the Securope lifeline in between two structures. The tensioner facilitates the installation and enables re-tensioning the lifeline during inspection and maintenance.



End anchor wall fixing including energy absorber - LDV139

The end anchor to the wall with energy absorber. This robust end anchor is often used in industrial sites to fix on concrete or steel beams. The shackle allows to orientate the anchor in every direction.



Mounting equipment



A

Anchorage

Fallprotec has designed an entire range of fixing assemblies suitable for host structure types. The internal engineering department of Fallprotec also offers bespoke fixation assemblies on demand.

Fallprotec lifeline systems:

All the components of the SecuRope Cable Lifeline clamped on Steel Beams are in stainless steel, designed to be extremely resistant to corrosion, fire and heat which therefore a greater durability and sustainability.

Without forgetting its aesthetic appearance, the SecuRope Cable Lifeline clamped on Steel Beams is suitable for intensive use in complex habitats.

B

Connecting Devices

PPE Equipment connecting the operator to the system, restraining them in case of a fall.

The PPE are designed to limit the energy transmitted to the user to a maximum of 6KN.

Fallprotec PPE:

Self retractable lanyard

IHWS



 x 1  3,70  8,15

With aluminium casing and galva steel rope.

Single lanyard 2 m

HAR010



EN354/355/362

 x 1  0,50  1,1  2m / 78,7"

x 2
20mm opening Zinc plated steel

With energy absorber

C

Body Support

A safety harness is a personal protective equipment (PPE) that is designed to catch a person in the event of a fall while working at height.

Our Prolight harness diffuses fall arrest energy across the shoulders, thighs and pelvis.

Fallprotec PPE:

Harness Prolight

HAR001 / 002 / 003



EN361:2012

 x 1  0,93  2,05

Resistant, lightweight fabric. Comfortable for the user.

Ergonomic helmet for works at height

HAR087



EN12492

 x 1

Fallprotec's SecuRope on Hot Roof worldwide

[Click here to view more
case studies worldwide
on our website](#)

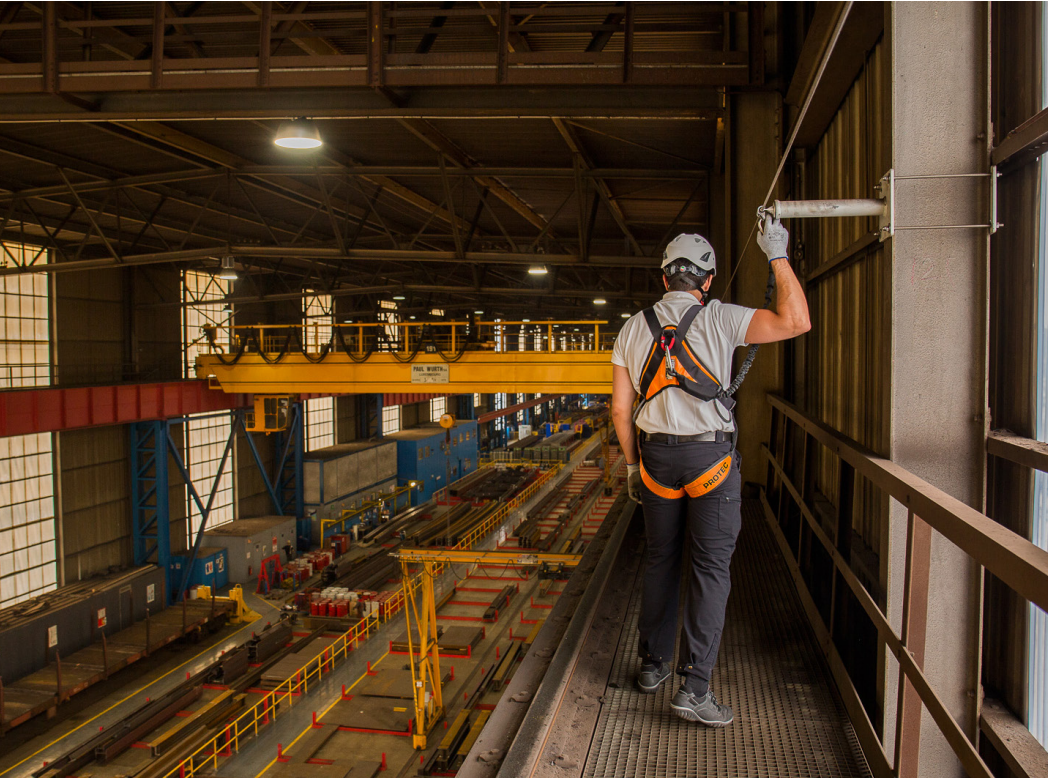


CHOOSING FALLPROTEC MEANS

- One reference for global assistance
- Certified by notifying bodies as per latest European standard
- Quality control: ISO9001:2015.
E.C. Quality of Production « Article 11D »
- Product liability insurance
- Warranty
- One-Stop-Shop



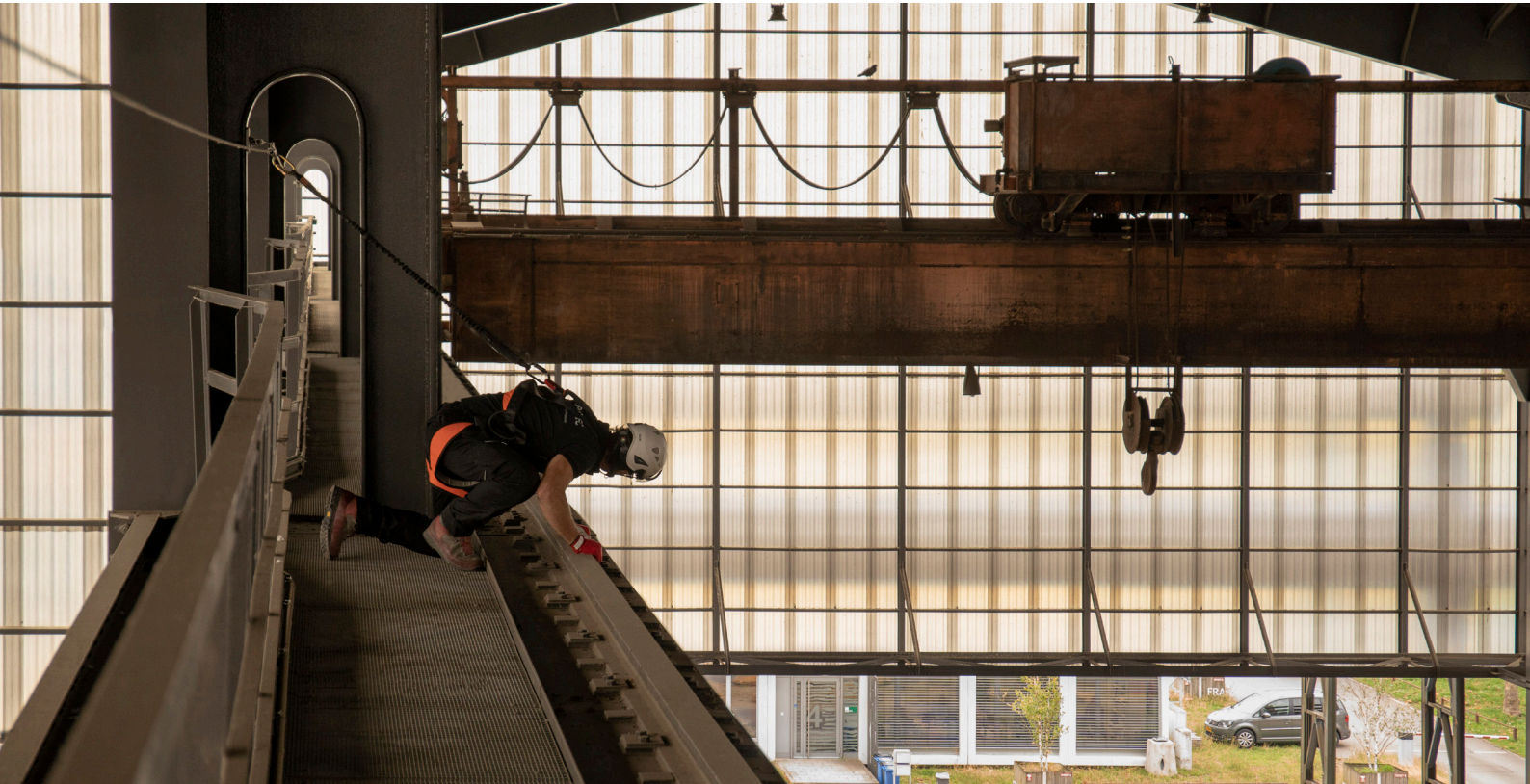
📍 Industrial Hall
Differdange, Luxembourg



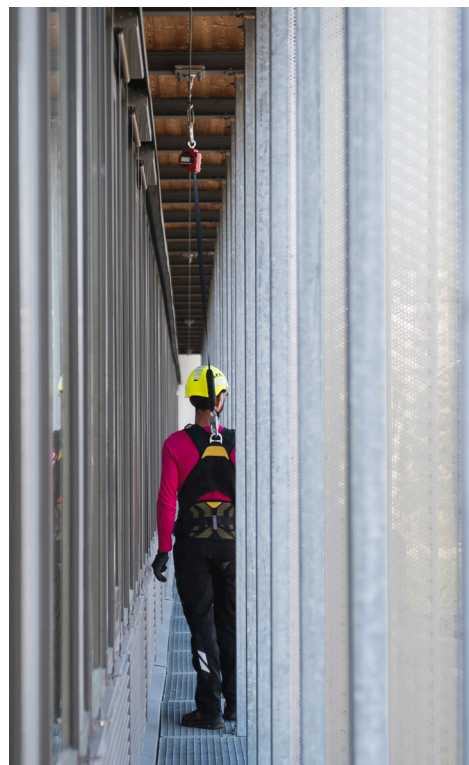
📍 Packaging Company
Lille, France



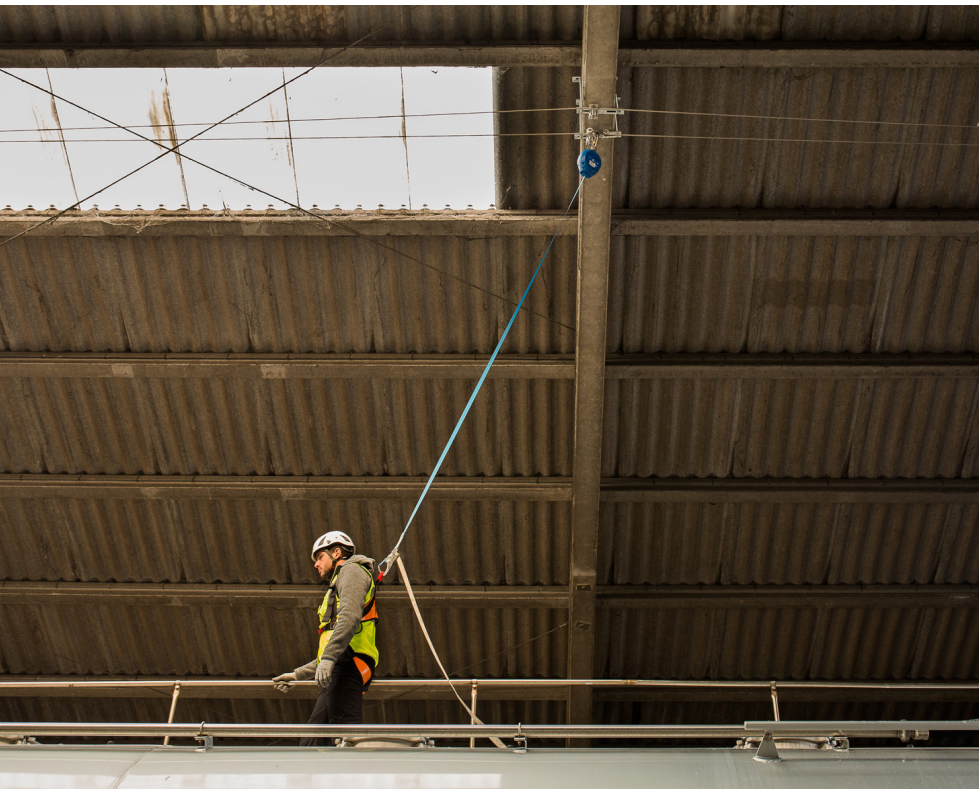
📍 ArcelorMittal, Industrial Site
Belval, Luxembourg



📍 Building maintenance
Poisy, France



📍 Loading trucks
Bruxelles, Belgium



📍 Industrial Site
Sanem, Luxembourg



FALLPROTEC SA

ZARO 2-4 rue Gustave Loosé
8346 Grass
Luxembourg

T: +352 26 55 09 30
marketing@fallprotec.com

FALLPROTEC SL

Eduard Calvet i Pintó 4
Pol. Ind. Vallmorena
08339 Vilassar de Dalt
Spain

T: +34 93 114 22 31
info@fallprotec.es

FALLPROTEC ZA

374 Sprokie Ave
Faerie Glen
0081 Pretoria
South Africa

T: +27 82 784 080
ik@fallprotec.com

FALLPROTEC USA

3500 S Dupont Hwy
Dover, DE 19901
USA

T: +1 205 388 0548
usa@fallprotec.com

FALLPROTEC ME

JLT, Mazaya Business Avenue,
Tower BB1, Oce 1108
P. O. Box 487115
United Arab Emirates

T: +971 4 399 3764
eh@fallprotec-me.com

+352 26 55 09 30
www.fallprotec.com

Follow us

fallprotec |    

FALLPROTEC

Height Safety Products

