

**FALLPROTEC**

Height Safety Products

+352 26 55 09 30 | [www.fallprotec.com](http://www.fallprotec.com)

# FALLPROTEC FOR STADIUMS





📍 Al Janoub Stadium, Qatar

# ACCESS AT HEIGHT IN STADIUMS

EN795:2012 Type C  
CEN/TS 16415:2013  
ASSP/ANSI Z359.6  
CSA259.16

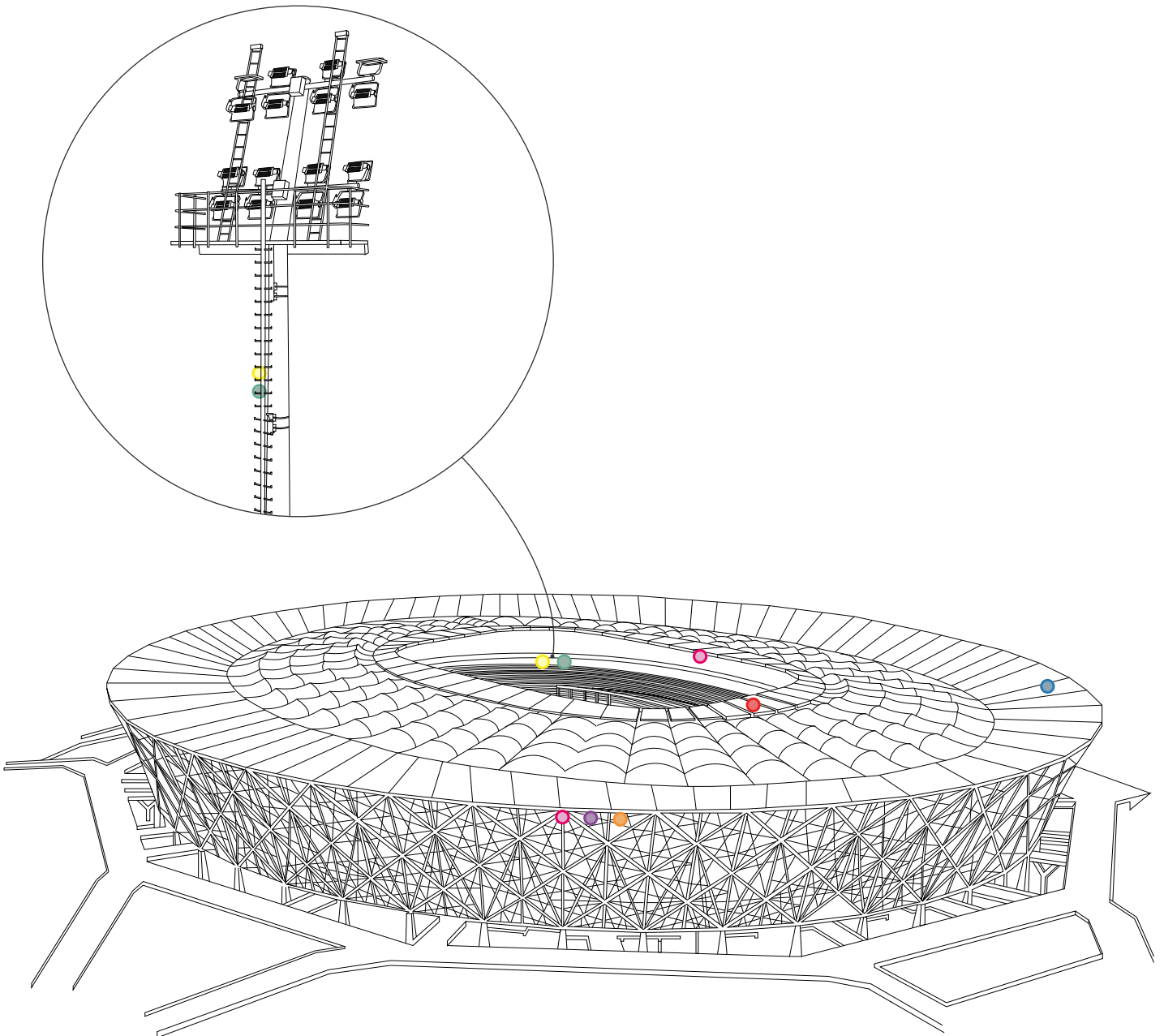


As in all infrastructures designed to welcome a large public, stadiums put an emphasis on the safety of their visitors. For this, they need regular maintenance that is performed at height: maintenance of light poles, of the roof, of the audio systems, of the structure itself of the stadium... Falls from height represent a considerable risk while performing these tasks.

Source:  
<https://fr.uefa.com/>  
<https://resources.fifa.com/>

If there is no collective protection to eliminate the risk of falling, workers must be provided with and trained in the use of appropriate fall protection equipment, such as lifelines and PPEs. Likewise, an appropriate and timely rescue should be provided to prevent suspension trauma.

- **SecuRope Standing Seam (p.5)**
- **SecuRail Pro Horizontal (p.6)**
- **MastLadder (p.7)**
- **SafeLadder Pro (p.8)**
- **SecuRail Pro for Abseiling (p.11)**
- **SafeAccess C Rail (p.12)**
- **RopeClimber (p.13)**

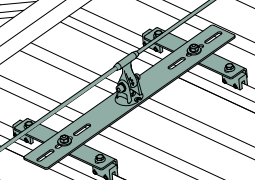
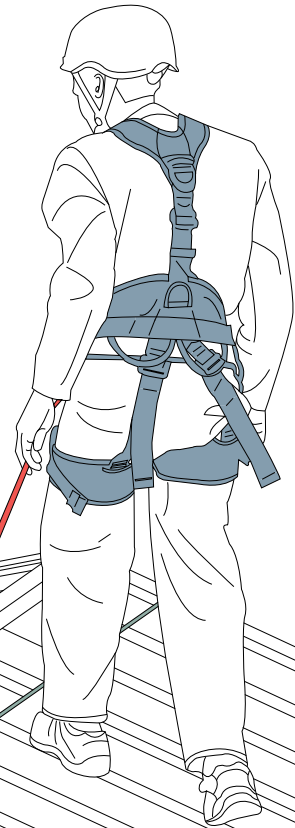


# Maintenance of roofs

Modular roofs, openable roofs... the cover of stadiums can be made of very different structures. Also, they host systems of refrigeration, cables for lighting, sound systems etc.

All this implies important constraints on the roof and an increased need for maintenance.

Fallprotec provides solutions for enabling an easy maintenance of the roof without adding much additional weight on it.



Maintenance of stadium roofs induce a high risk of pendulum effect due to its canopy shape. Fallprotec recommends installations for work in restraint to avoid falls.

# SecuRope lifeline on standing seam roof

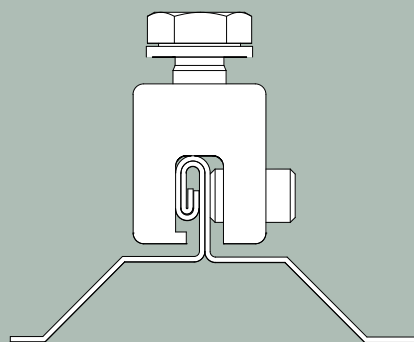
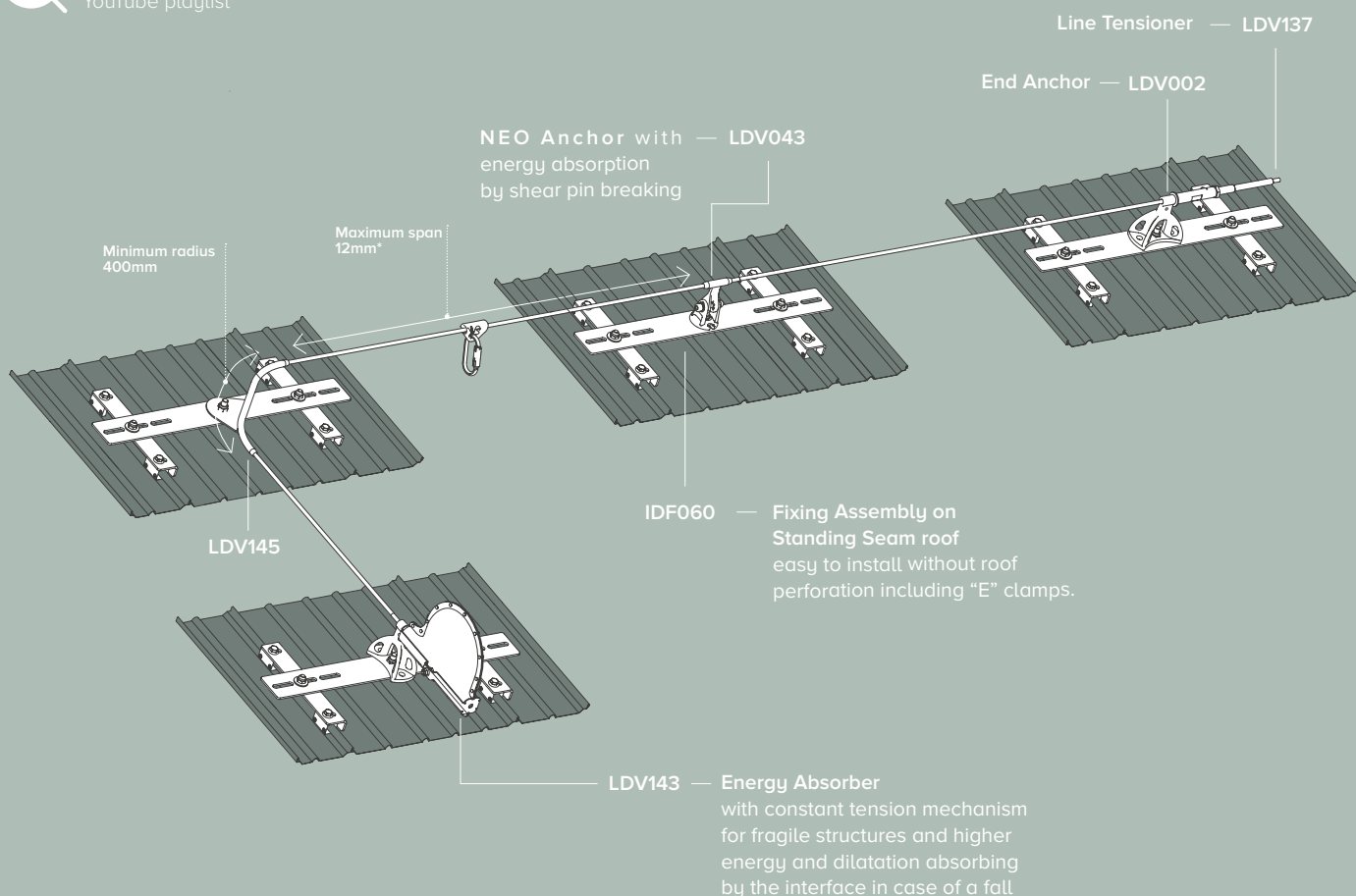
SecuRope lifeline on standing seam roof with glider LDV043. Securope lifeline on standing seam roof with clamped brackets to absorb the dilatation and contraction of the roof. The lifeline is installed on the dome of the stadium to protect the workers on sloped and slippery surfaces.

EN795:2012 Type C CEN/TS16415:2013

 x 4  
(2 users max. per spam)



 Click here to follow the product YouTube playlist



The IDF060 bracket ensures a proper fixing on the standing seam and load distribution.

Fallprotec provides different clamp types to match the corresponding standing seam roof:

- IDF042 S5-E clamp for standing seam roof with **double folds**
- IDF045 S5-Z clamp for standing seam **shaped bulb**
- IDF043 S5-S clamp for standing seam with **double folds**
- IDF041 Copper S5-B clamp for standing seam with **double folds**

# SecuRail Pro

SecuRail Pro lifeline on ground or wall, configuration with a GRANVIA trolley RHF511. Made of high resistance aluminium, the rail can be easily used in environments that are subject to weather elements (rain, snow, heat...).

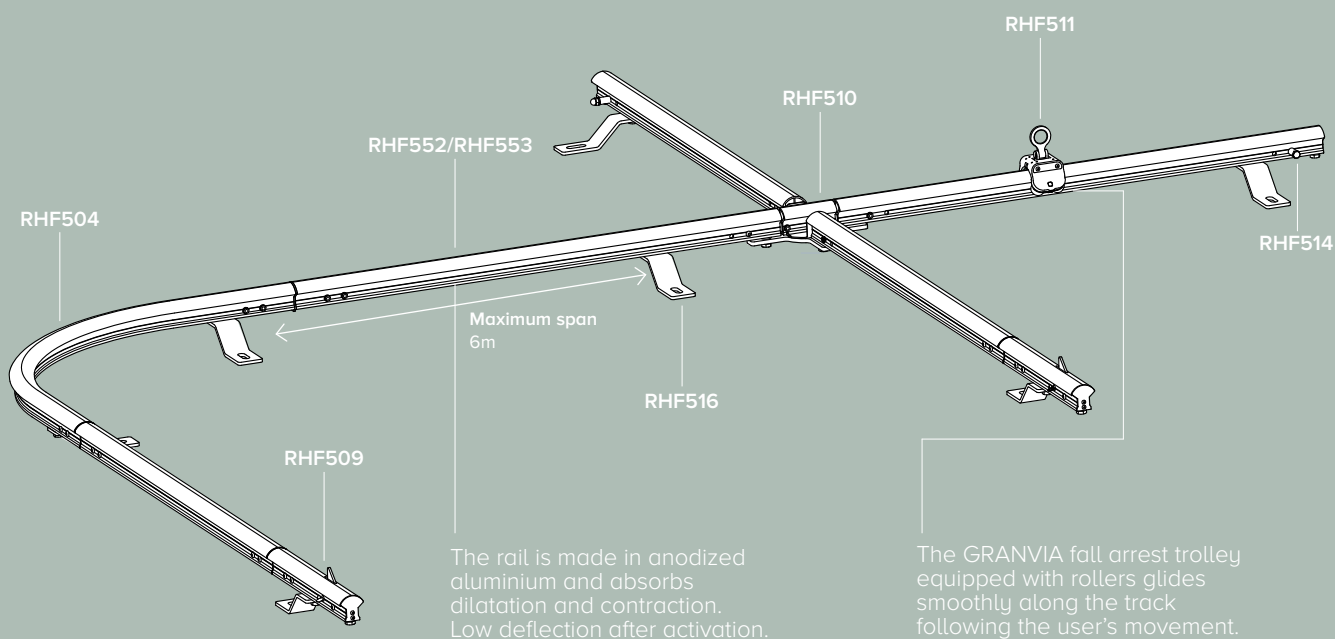
EN795:2012 Type D | CEN/TS16415:2013



x 2

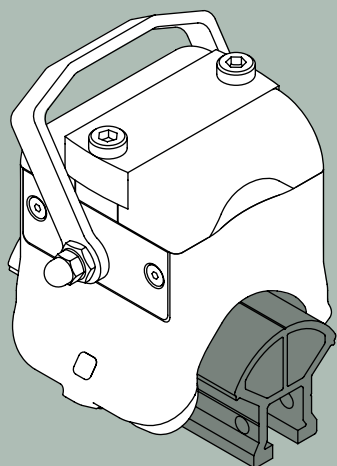


Click here to follow the product YouTube playlist



The rail is made in anodized aluminium and absorbs dilatation and contraction. Low deflection after activation.

The GRANVIA fall arrest trolley equipped with rollers glides smoothly along the track following the user's movement. Anti-derailment claws mounted between the rollers keep the trolley firmly on the track. The same trolley is used for ground, wall and ceiling configuration. The rollers enable a smooth gliding of the trolley.



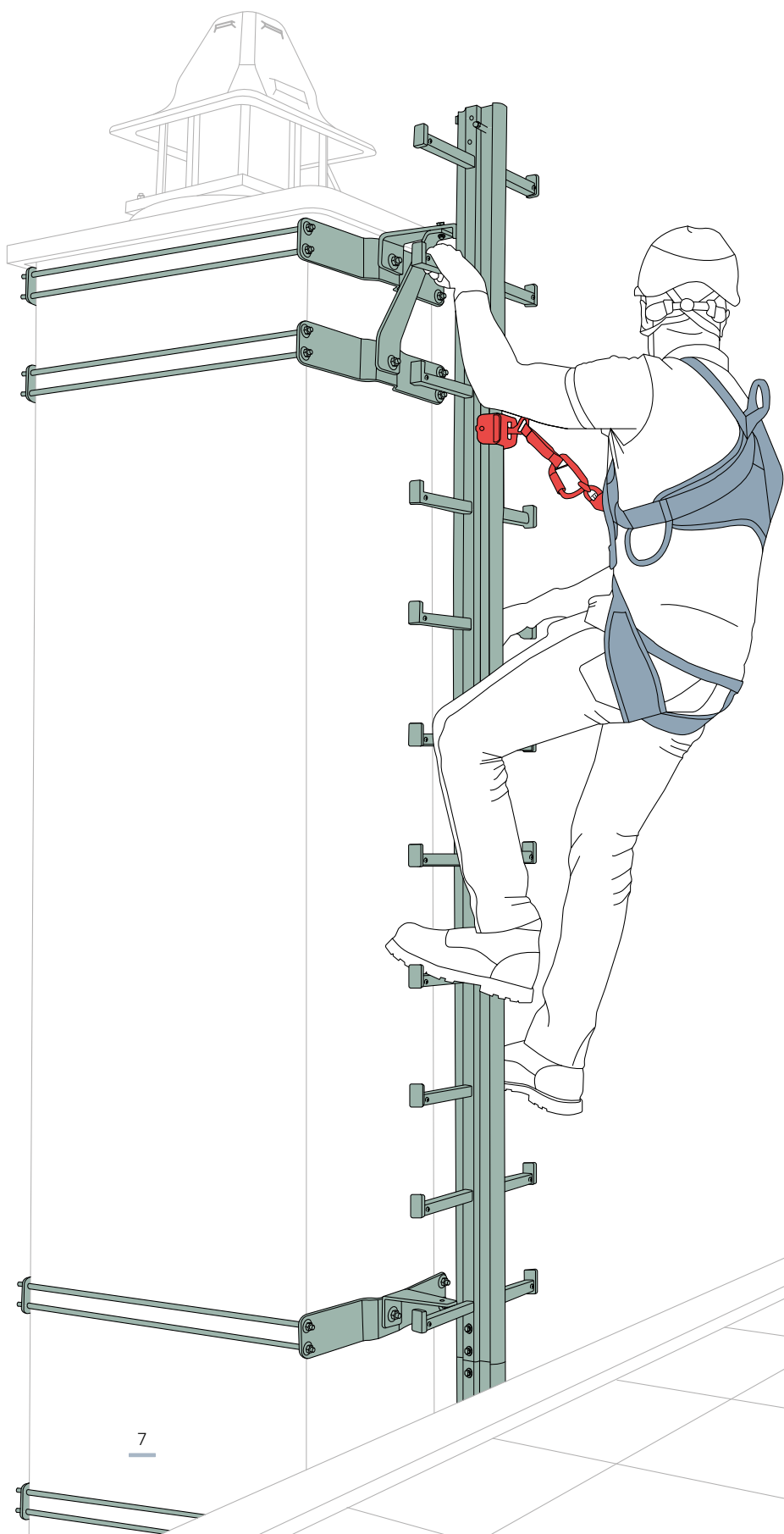
## Overspeed Trolley

The new multidirectional trolley works either for inclined and horizontal lifelines. This allows the assembly of horizontal lifelines with sloped sections, all in one, avoiding the user's disconnection. Equipped with shock absorber, the installation is easy, directly on the rail.

# Maintenance of light masts

Light is essential for competitions taking place in the evening or in winter. Due to their size, maintenance can quickly become costly if the owner needs to rent machinery each time.

Fallprotec provides elegant, discreet and secure solutions for an easy access to light posts in stadiums.



— Stadiums have a high risk of fall as the poles are particularly high.

# MastLadder

The MastLadder consists in a Securail Pro fitted with fixed rungs crimped into the mast. The ladder is delivered in length 2,8m. It is installed on every type of building for height access and is fixed to the structure thanks to M10 bolts. This type of ladder is particularly well suited for applications where discreet solutions are required, such as pylones.

EN353-1:2018

ANSI A14.3 and OSHA1910.29 Subpart D



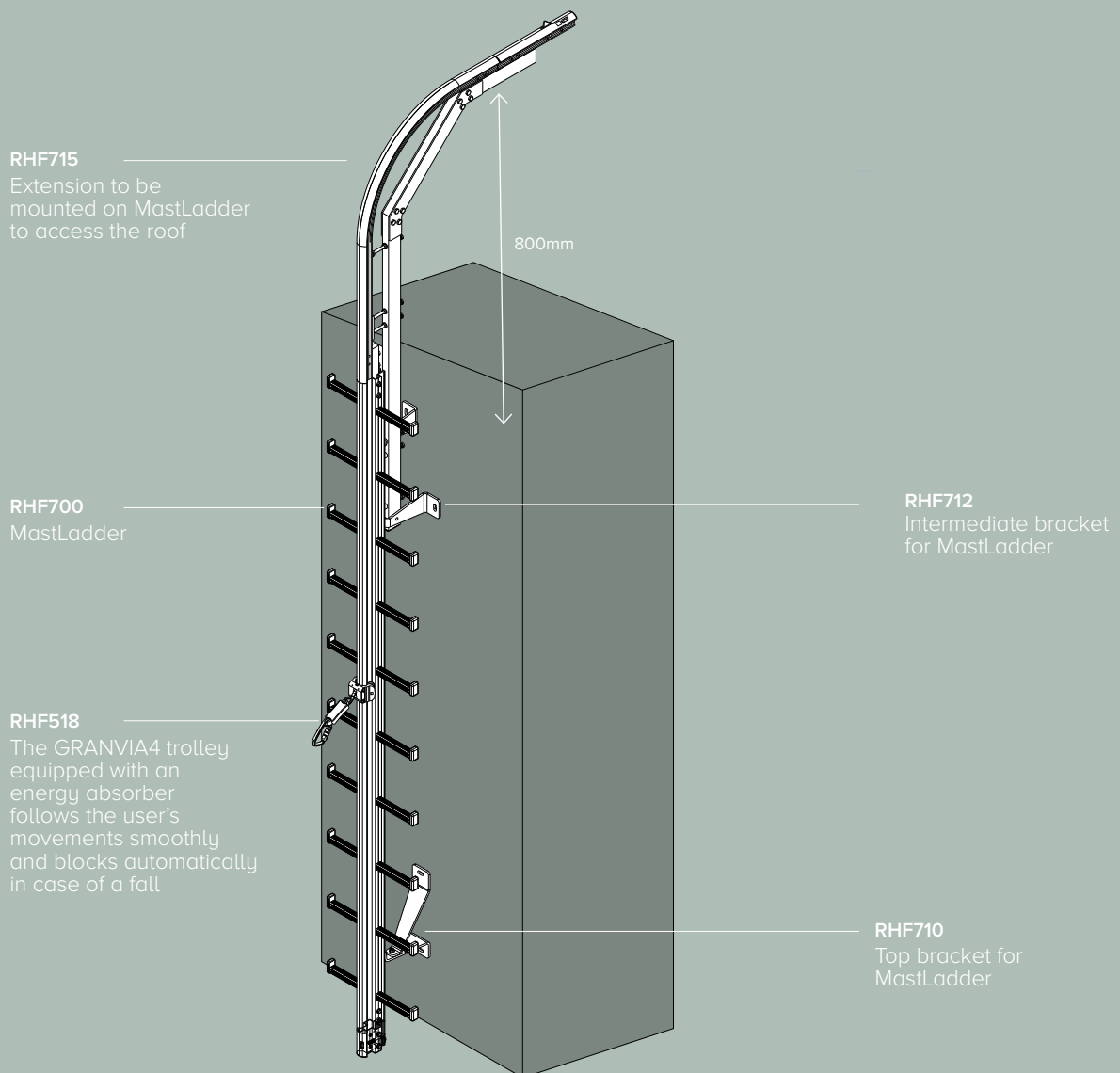
x 1



Anodised Aluminium EN AW 6060 T66, resisting sea side.  
Low weight (4,5kg/m) and little space requirement.



Click here to follow the product YouTube playlist





# SafeLadder Pro

The SafeLadder Pro is a ladder including an integrated fall arrest rail in its upright. Easy to install, it can be adapted to various configurations, confined spaces, distance from the host structure, etc.

EN353-1:2018

ANSI A14.3 and OSHA1910.29 Subpart D



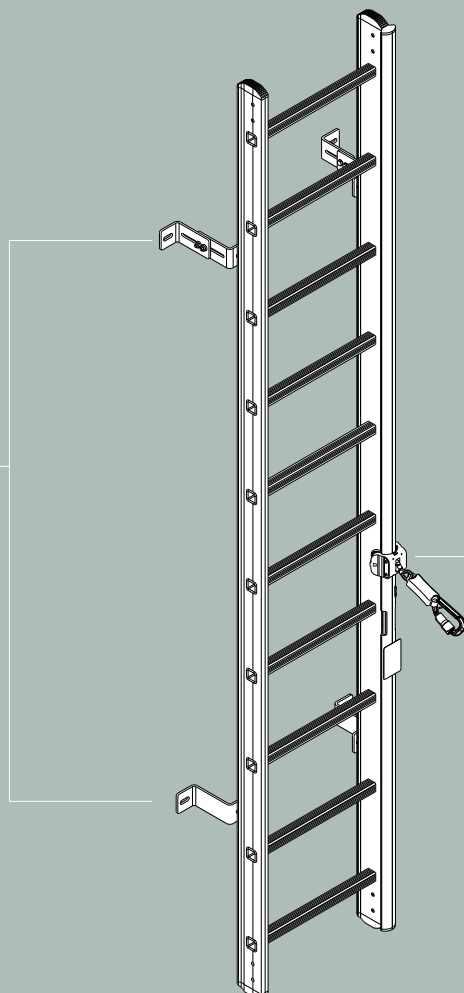
x 1



Click here to follow the product YouTube playlist

## SAL210-213

The SafeLadder Pro offers a wide range of fixation options for every type of host structure.



## RHF518

The GRANVIA4 trolley equipped with an energy absorber follows the user's movements smoothly and blocks automatically in case of a fall.

# Access the roof's underside and suspended elements

The stadium's roof underside hosts several elements necessary to the good function of the stadium: speakers, expandable shades for the public etc. In order to access it, workers need secure solutions that are also lightweight so as not to compromise the structure.

—  
Roof undersides are also exposed to the outside elements. Fallprotec provides solutions resisting extreme weather to ensure the safest possible working conditions.



# Securail Pro for Abseiling

The Securail Pro is a rigid rail compatible with rope access activities. Each element of the rail withstands a minimum breaking load of 15kN as required in rope access guidelines. This compact profile blends into the design, while allowing the rope access specialist to reach any point of the roof's underside.

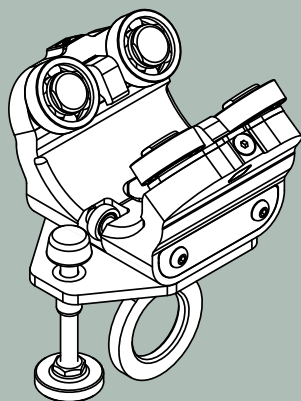
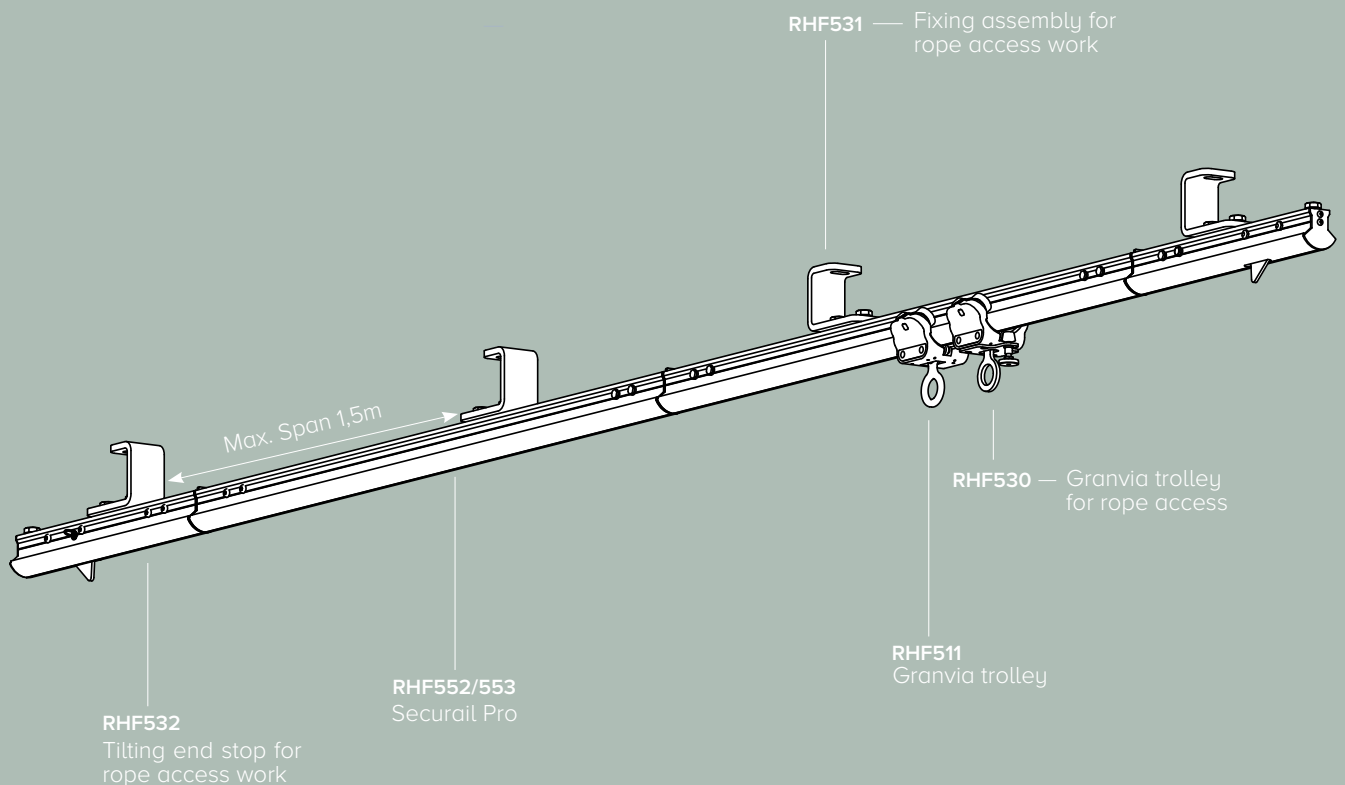
EN795:2012 Type D | CEN/TS16412:2013



x 2



Click here to follow the product YouTube playlist



RHF530  
GRANVIA for rope access

The rope access specialists connect their main suspension rope to this trolley, gliding easily along the rail thanks to its stainless steel rollers. Fitted with a brake to lock the trolley and ensure a stable working position of the end user.

# SafeAccess C Rail

The SafeAccess C is a rigid rail compatible with the RopeClimber hoist. Installed in the suspended ceiling, it allows safe access to the entire underside of the roof while taking up little space.

EN1808:2015

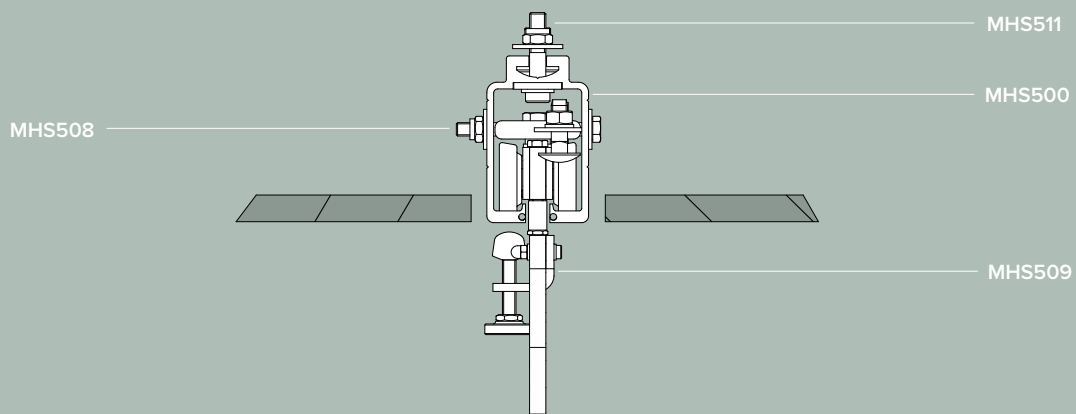
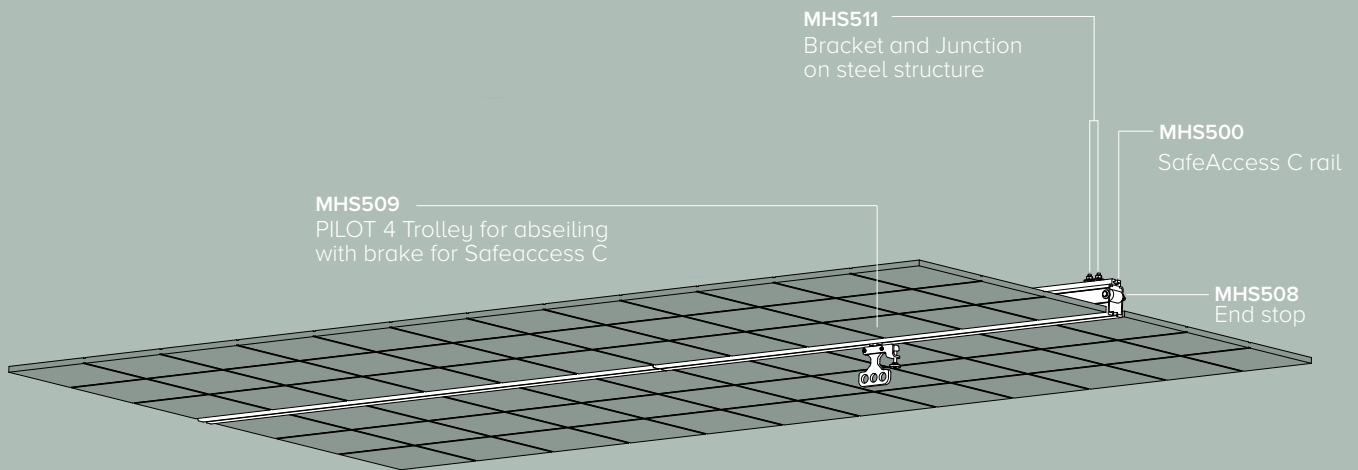


x 2  
rope access  
between supports

ALU  
6060

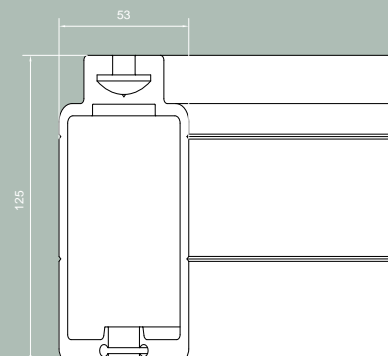


Click here to  
follow the product  
YouTube playlist



## MHS500

- SafeAccess C profile weights 5,65 kg / meter.
- Delivered in lengths of 3000 or 6000mm.
- Mill finish or anodized or powder coated any RAL colour depending of the project requirements.
- Bendeable any angle (minimum radius of 800mm).



# RopeClimber

The RopeClimber is designed for lifting one person to safely access elements from the underside of a ceiling or structure and for facade maintenance.

Compliant with Directive 2006/42/EC  
EN1808:2015 / EN60204-1



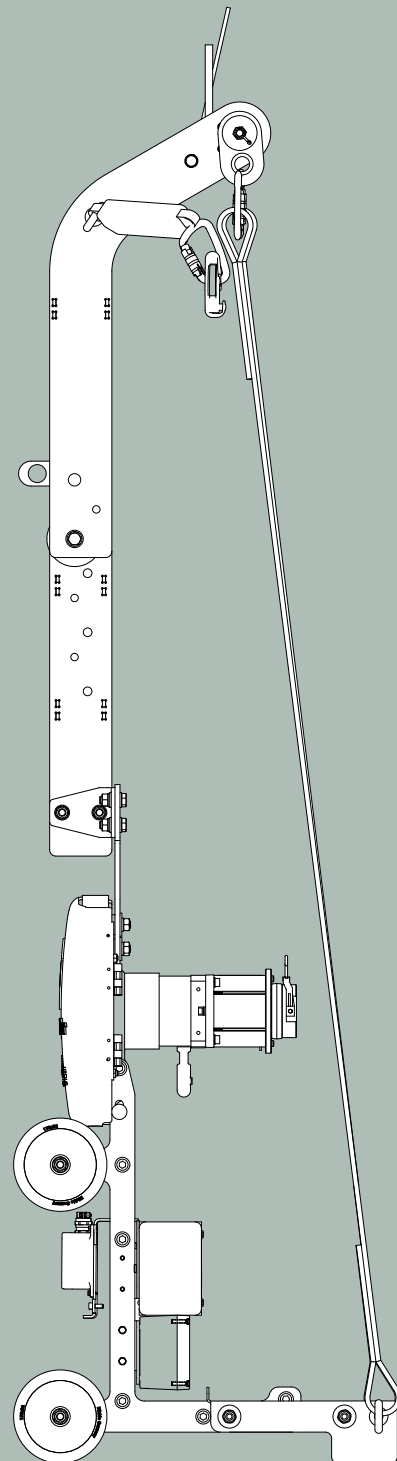
x 1

ALU  
6060

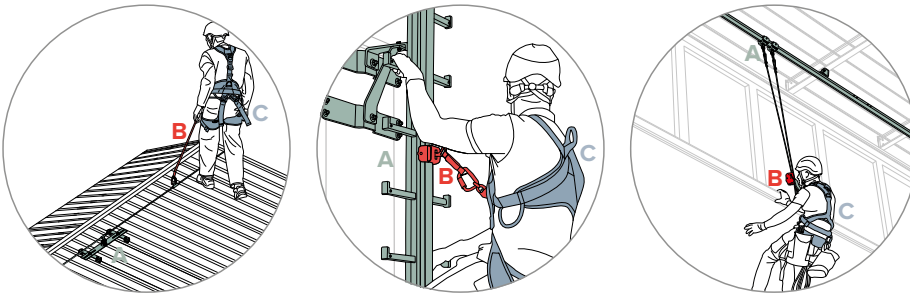


 Click here to  
follow the product  
YouTube playlist

- Light and compact system
- Quick to pick up and install
- Integrated safety devices
- Battery powered
- Compatible with davits and rails
- Several configurations : BackPack, Stand seat...
- Safety features: fall arrest device on the secondary rope, overload and top limit switch
- Push buttons control box from the distance (radio control) with emergency stop
- Ergonomic and Easy use, training as professional climber is not required
- LED that informs about the state of charge of the battery as well as safety features



# Fall protection & access equipment



**A**

## Anchorage

Structure capable of supporting 6kN per user attached as part of a complete personal fall arrest system which maintains a safety factor of at least two.

## Fallprotec lifeline systems:

- 1) SecuRope Cable Lifeline: Maintenance of roofs
  - 2) SecuRail Pro Rail Lifeline: Maintenance of roofs and their underside.
  - 3) SecuRope Vertical Cable Lifeline: Access to light pylones.
- All systems are suitable for intensive use in complex industrial environments. Its components are reliable and durable.

## Fixing brackets:

Fallprotec's internal engineering department offers bespoke fixation assemblies, adapted to various beam sizes and distances between them and walkways.

**B**

## Connecting Devices

PPE Equipment connecting the operator to the system, restraining them in case of a fall.

The PPE are designed to limit the energy transmitted to the user to a maximum of 6kN.

## Fallprotec PPE:

Complete range of self retractable lanyard with aluminium casing and galva steel rope.  
IHWS



EN354/355/362

x 1

KG 3,70

With aluminium casing and galva steel rope.

## Single & Double lanyard 2 m

HAR076 | HAR016



EN354/355/362

x 1

KG 0,60 | 0,80

↔ 2m

Fitted with energy absorber

**C**

## Body Support

A safety harness is a personal protective equipment (PPE) that is designed to catch a person in the event of a fall while working at height. Our full body harness distributes fall arrest forces across the shoulders, thighs and pelvis.

## Fallprotec PPE:

### Harness Prolight

HAR001 / 002 / 003



EN361:2012

x 1

KG 0,930

Resistant, lightweight fabric. Comfortable for the user.

## Ergonomic helmet for works at height

HAR087

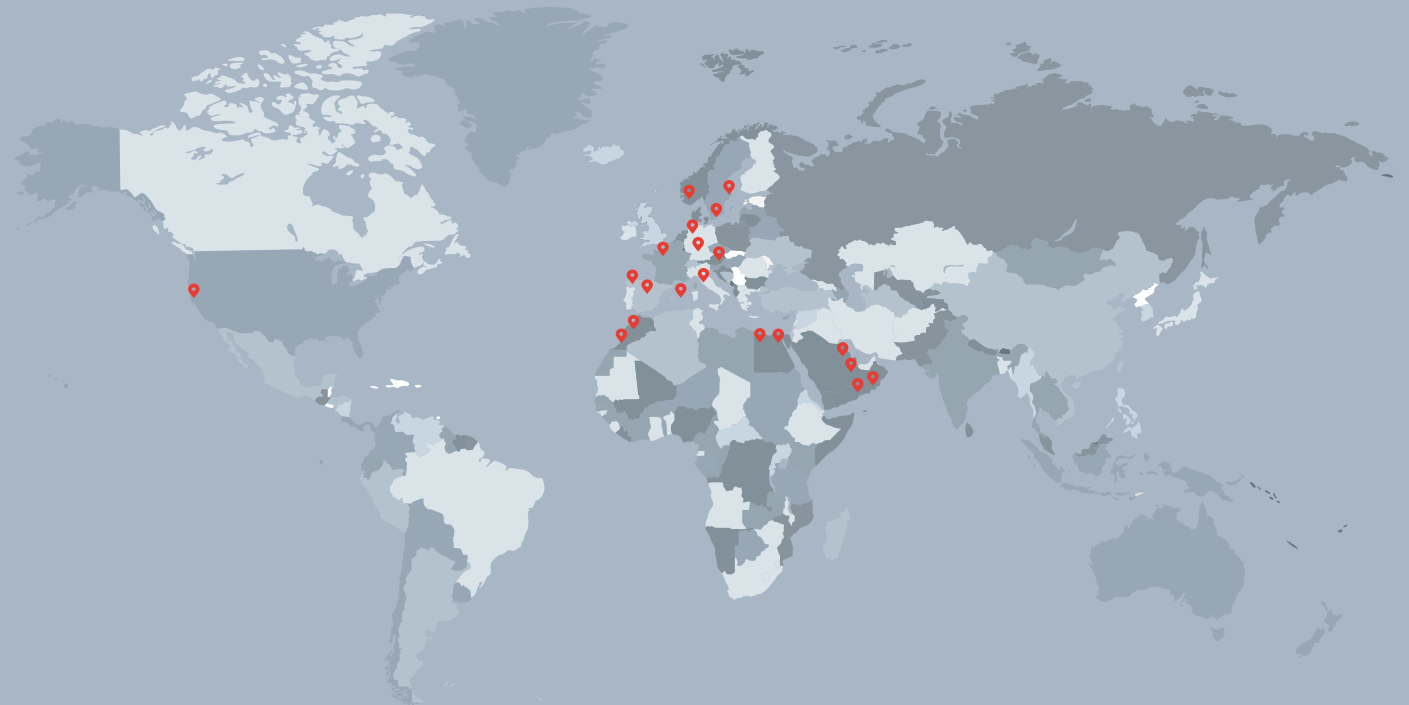


EN12492

x 1

# Fallprotec's products installations in stadiums

Click here to view more case studies worldwide on our website

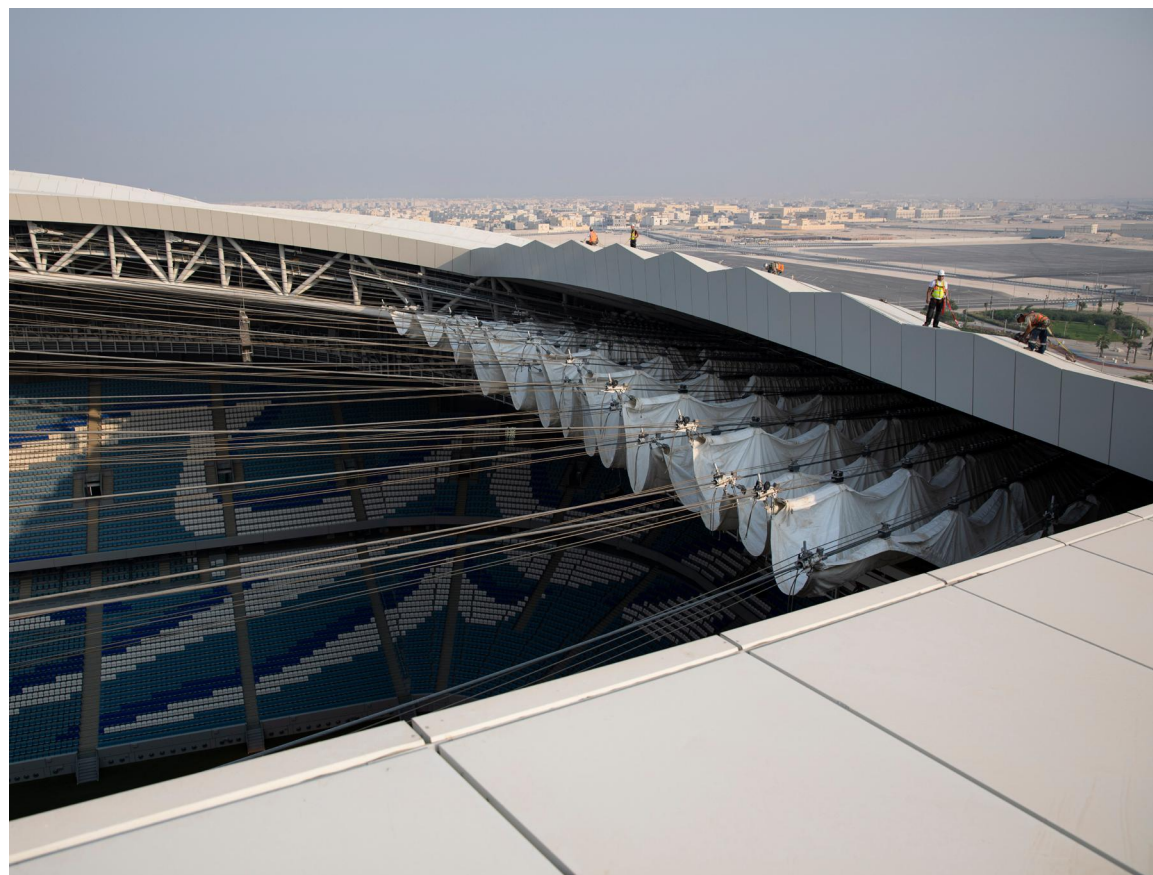


## CHOOSING FALLPROTEC MEANS

- One reference for global assistance
- Certified by notifying bodies as per latest European standard
- Quality control: ISO9001:2015. E.C. Quality of Production « Article 11D »
- Product liability insurance
- Warranty
- One-Stop-Shop

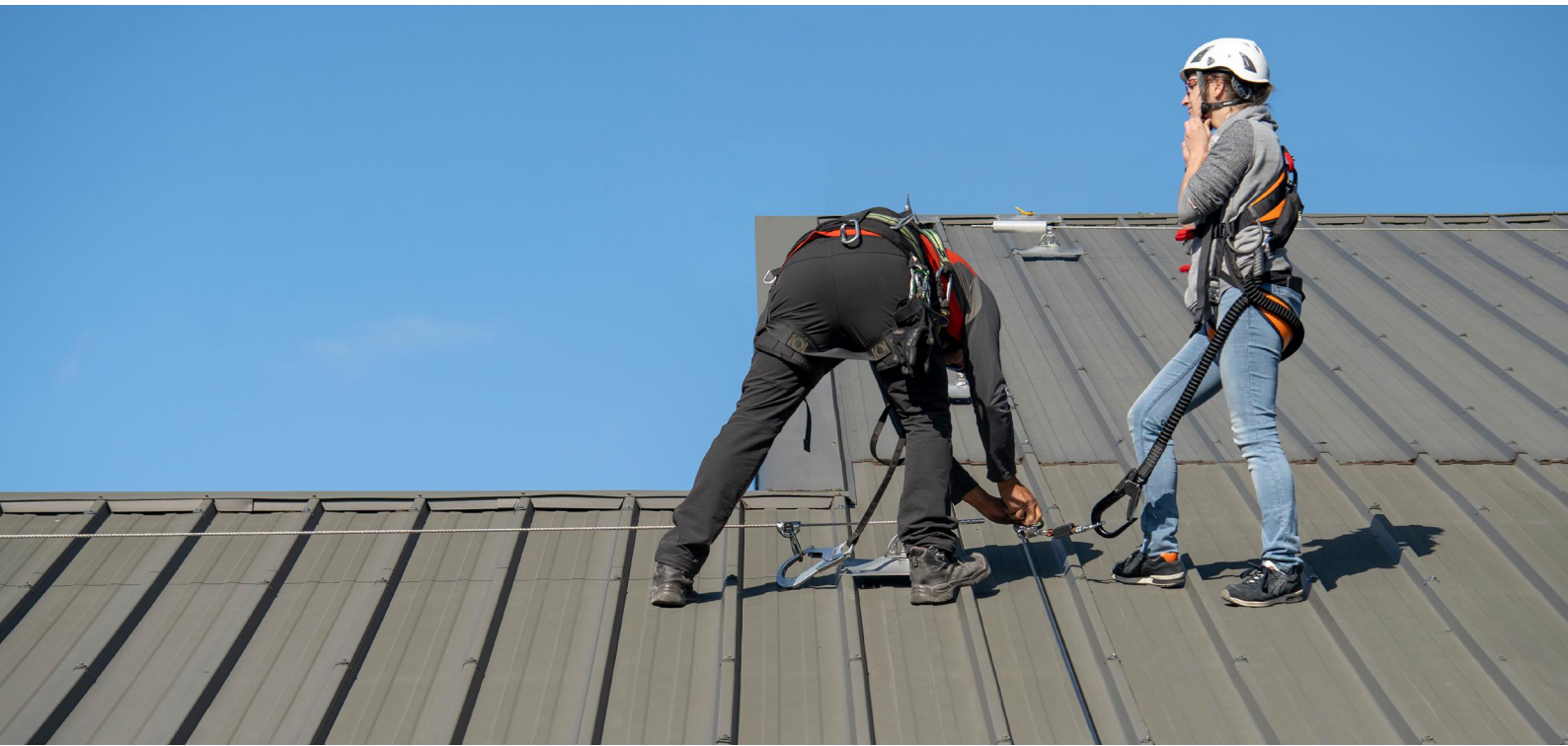


📍 Al Janoub stadium  
Al-Wakrah, Qatar





📍 Sport hall  
Namur, Belgium



📍 Anthony stadium  
Paris, France



## FALLPROTEC SA

ZARO 2-4 Rue Gustave Loosé,  
8346 Grass  
Luxembourg  
T: +352 26 55 09 30  
F: +352 26 55 09 3055  
marketing@fallprotec.com

## FALLPROTEC SL

Eduard Calvet i Pintó 4  
Pol. Ind. Vallmorena  
08339 Vilassar de Dalt  
España  
T: +34 93 114 22 31  
info@fallprotec.es

+352 26 55 09 30  
[www.fallprotec.com](http://www.fallprotec.com)

Follow us

fallprotec |    

**FALLPROTEC**

Height Safety Products

