

## Description

Fallprotec has designed the Multipost and the SpotAnchor for fixing the Securope life line on hot deck roofs. A hot deck roof is a corrugated sheet covered by an insulating material and a membrane. Fixed by a reinforced toggle bolt, the fixation assemblies distribute the forces on a large surface.



Compliant with EN 795:2012  
C EN/TS 16415:2013  
MADE IN EU

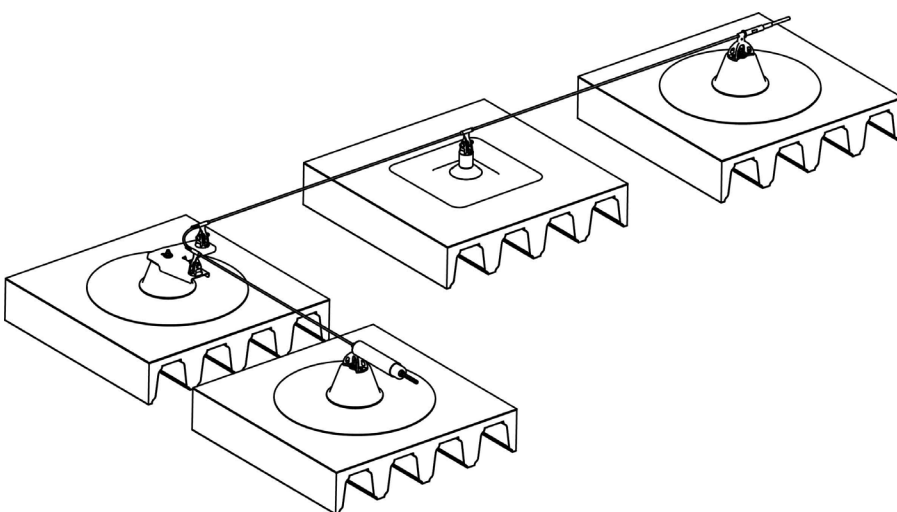


## Advantages

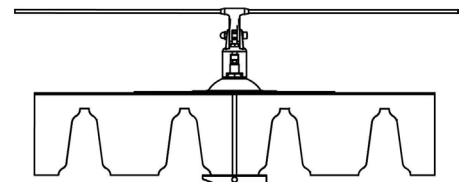
- For 4 users
- Undeformable
- The post absorbs a fraction of the energy
- Easy to retrofit on existing buildings
- Guaranteed waterproofness thanks to a roofing collar

## Technical specifications

Delivered with an installer and user manual.  
Material: Stainless steel, collar in bitumen or PVC

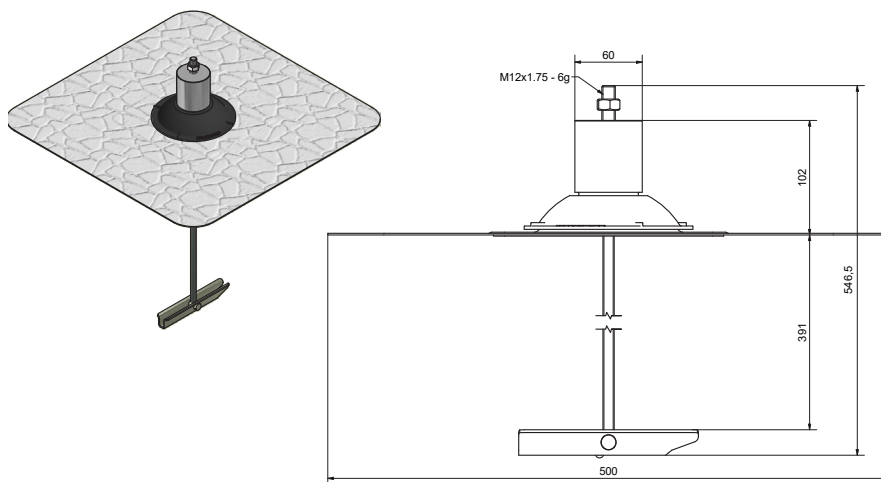
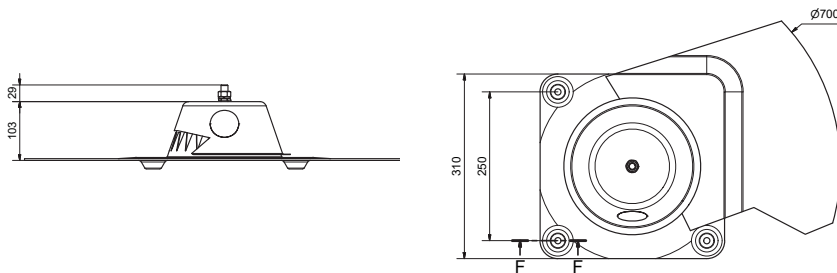


## Lifeline on hot deck



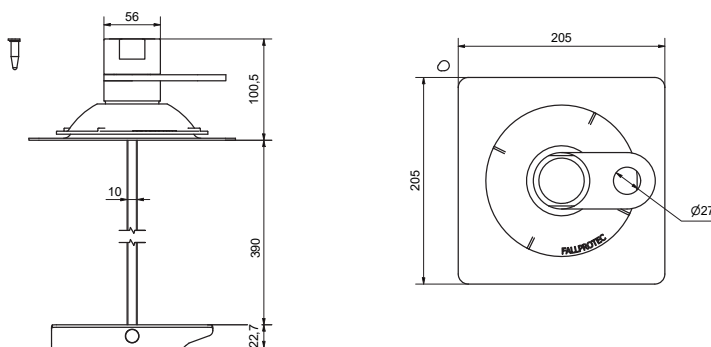
## IDF022

Fixation assembly for hot deck



## LDV092

Fixing assembly for intermediate anchors on hot deck



## LDV077

Anchor point for hot deck

## Applications

