

## Securope lifeline clamped on beams

Ligne de vie Securope bridée sur poutres

Securope Seilsicherungssystem auf Balken festgelegt

Línea de vida Securope anclada a la viga

Code N° IDF050 / IDF051 / MHS032

# FALLPROTEC

November 2017

## Description

The NEO Securope lifeline can be attached to beams through a system involving clamps. Using this type of fastening enables a solid fixation of the lifeline without drilling.



Compliant with EN795:2012  
Type C and CEN/TS16415:2013  
MADE IN EU



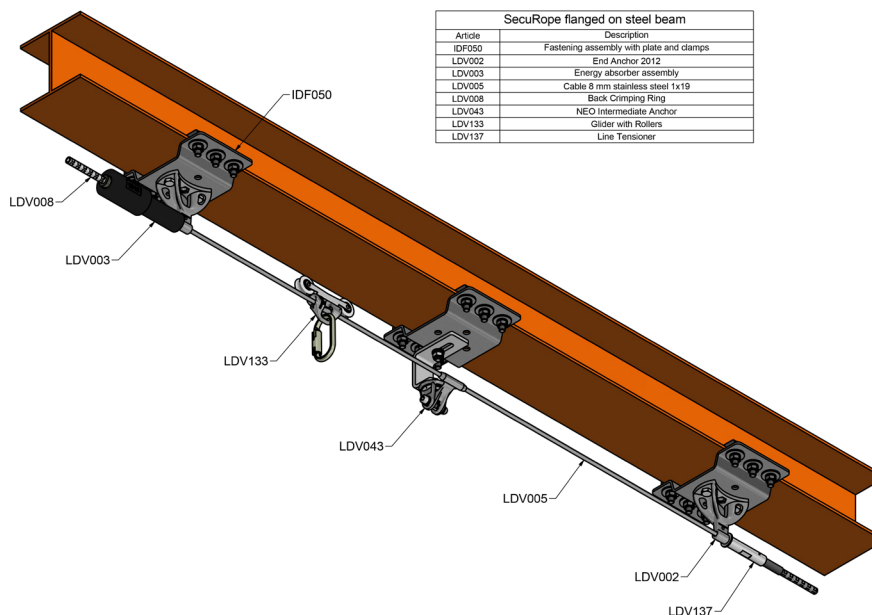
x 4

## Advantages

- Intuitive use
- Custom made solution adapted to the project's beams and potential obstacles
- Smooth movements along the lifeline
- Protects the fixing support
- Reduced cable deflection (max 70cm)
- Indeformable
- Robust and long-lasting material
- Quickly installed solution
- ATEX-certified material available

## Technical specifications

Delivered with an installation manual and an user manual  
Material : Stainless steel SS316  
Maximum distance between anchors: 12m



---

**SecuRope lifeline clamped on beams**

Ligne de vie SecuRope bridée sur poutres

Securope Seilsicherungssystem auf Balken festgelegt

Línea de vida Securope anclada a la viga

**Code N° IDF050 / IDF051 / MHS032**

---

---

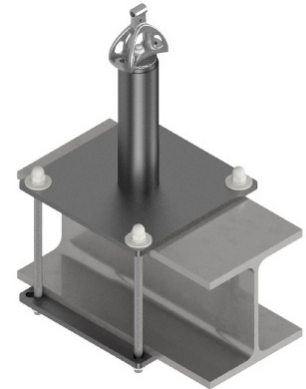
**FALLPROTEC**

---

November 2017

---

**IDF050** Fixing assembly for fastening on a steel beam using retaining plates. Compatible with all types of anchor for horizontal or inclined lifelines. Fixing with retaining plates if the user has access to the beam's rear.



---

**IDF051** Fixing assembly for fastening on a steel beam using clamps. Compatible with all types of anchor for horizontal or inclined lifelines.

