



01

Height Safety SystemsBasics for work at heights _____ [03](#)**A. Horizontal Fall Arrest**EN 795:2012 Type C | Type D | Type A CEN/TS 16415:2013
ASSP/ANSI Z359.6 & CSA259.16
BS8610**SecuRope Cable Lifeline**On ground _____ [04](#)
Overhead _____ [05](#)**Type of fixations**On post _____ [06](#)
On Unipost _____ [07](#)
On Cold deck brackets _____ [08](#)
On Standing seam roof _____ [09](#)
On Hot deck brackets _____ [10](#)
On Unipost for green roofs _____ [11](#)
On steel beams _____ [12](#)SecuRail Pro _____ [13](#)SafeAccess Rail Fall Arrest _____ [14](#)**B. Vertical Fall Arrest**EN 353-1:2014 / EN 353-1:2018 / EN 353-1:2014 + A1:2017
OSHA 1910 + ANSI A14 -3SecuRope QuickSet Cable Lifeline _____ [15](#)SecuRail Pro / MastLadder _____ [16](#)SafeLadder Pro _____ [17](#)**C. Anchor Points**EN 795:2012 Type A | CEN/TS 16514:2013
ASSP/ANSI Z359.18Abseiling, fall arrest and restraint _____ [18](#)Fall arrest and restraint _____ [19](#)**D. Personal Protective Equipment**EN 362:2005 | EN 358:2003 | EN 361:2003 | EN 355:2003
EN 365:2005 | EN 813:2009 | EN 354:2011 | EN 360:2002Harness, Lanyards and retractable blocks _____ [20](#)**E. Collective Fall arrest**Guardrails _____ [21](#)RopeClimber lifting equipment _____ [26](#)Davit arms _____ [27](#)Roof Car _____ [28](#)

02

Safe Access Equipment**F. Works in suspension**EN 795:2012 Type D | CEN/TS 16415:2013
EN 1808:2015 | BS8610:2017
EN 60204-1 | Directive 2006 / 42 / ECSecuRail Pro for abseiling works _____ [22](#)SafeAccess Rail _____ [23](#)SafeAccess C Rail _____ [24](#)AccessClimber _____ [25](#)**Application Icons**

Industrial



Housing

Potentially
explosive atmosphereOver
TrucksConfined
SpacesFall
ArrestRope
AccessWork in
restraintGround
configurationWall
configurationCeiling
configurationVertical
Structures

Buildings



Guardrails

Work at height European regulations and standards**EN 795:2012**

They are the technical requirements placed on horizontal (up to 15°) fall arresting anchor devices. The EN 795 distinguishes five types of anchorage device, from A to E.

- **Type A** refers to single anchors.
- **Type B** refers to temporary anchorage points.
- **Type C** refers to horizontal flexible systems such as cable lifelines.
- **Type D** refers to rigid systems, usually rail systems.
- **Type E** refers to temporary systems that are stabilized using counterweights.

This standard considers only single-user applications.

CEN/TS 16415:2013

This technical specification certifies anchor devices that allow more than one user to be attached at the same time. Since work at height requires at least two workers, Fallprotec tests all systems for several people.

EN 353-1:2014 / EN 353-1:2018 / EN 353-1:2014 + A1:2017

This European standard defines the technical requirements for vertical rigid anchor line. The forward-leaning angle and/or sideways leaning angle lies between 85° and 95°.

2006/42/EC:2006

This European directive specifies the safety features for machinery. The Annex IV concerns lifting equipment. All height access products of Fallprotec are certified according to the directive 2006/42/EC.

EN 1808:2015

It is a European standard which specifies the safety requirements for Suspended Access Equipment (SAE). It is applicable to both permanent and temporary equipment which may be powered or hand operated. The Fallprotec monorails and cradles are designed according to EN 1808:2015.

OSHA 29 CFR 1910 SUBPART D

The OSHA 1910 subpart D concerns "Walking Working Surfaces". The standard detail "general industry" safety regulations apply to most worksites, while OSHA 1926 concerns construction sites. OSHA 1910 is an applicable law and must therefore be followed by the employer and the building owner. The standard has several chapters, which covers general definition, access ladders, guardrails, fall protection equipment, training requirements etc.

OSHA 29 CFR 1926 SUBPART M

OSHA 29 CFR 1926 subpart M lays out the requirements and criteria for fall protection in construction workplaces. The standard covers the obligations of the employers. It describes also the possible safety systems to protect the workers against the risk of falls (safety nets, guardrail, engineered fall protection, PPE etc.)

ANSI/ASSP Z359.6-2016

"Specifications and Design Requirements for Active Fall Protection Systems" is a standard for qualified persons, so they can design engineered horizontal lifelines and/or anchorage systems. The standard gives clear indications with regards to the minimum breaking strength, safety factors, calculation on fall clearance etc.

BS8610: 2017

The new British Standard for fall protection systems. This standard has the advantage to distinguish between fall restraint, fall arrest, work positioning & rope access.

CSA Z259.16-15

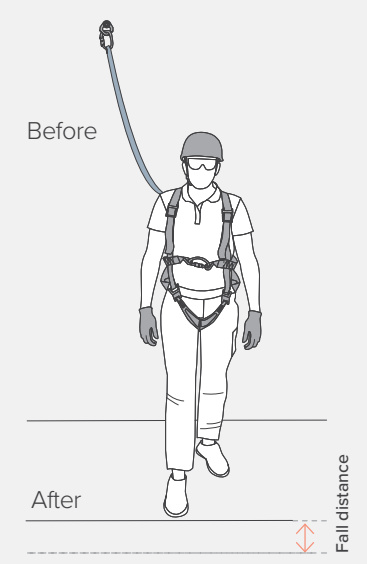
This Canadian standard addresses systems designed as fallarrest. It has similar requirements to the US standards.

Fall Factor

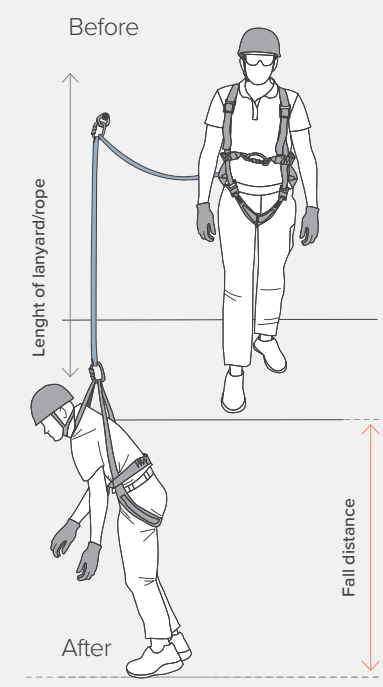
The fall factor is the distance fallen, divided by the length of the lanyard or rope. This length is limited to 2m max in general. The fall factor ranges from 0 to 2. Independently of a fall being long or short, the lower the fall factor, the safer the fall.

$$\text{Fall Factor} = \frac{\text{Fall distance}}{\text{Length of lanyard/Rope}}$$

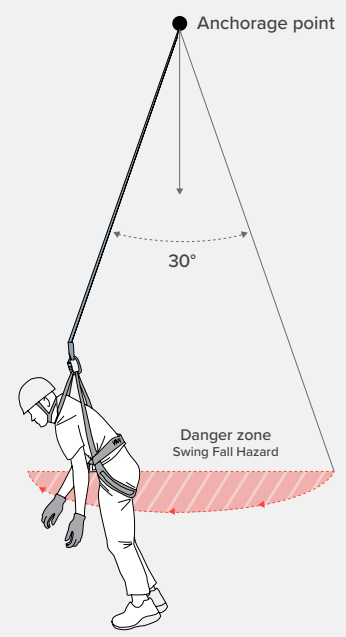
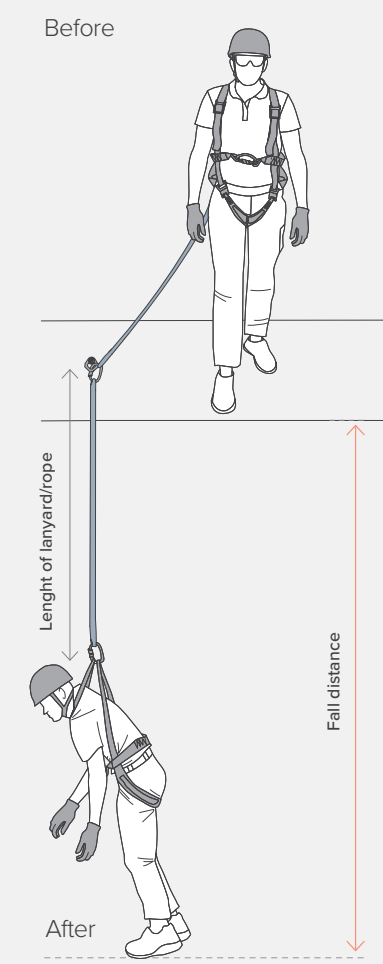
Fall Factor 0



Fall Factor 1



Fall Factor 2



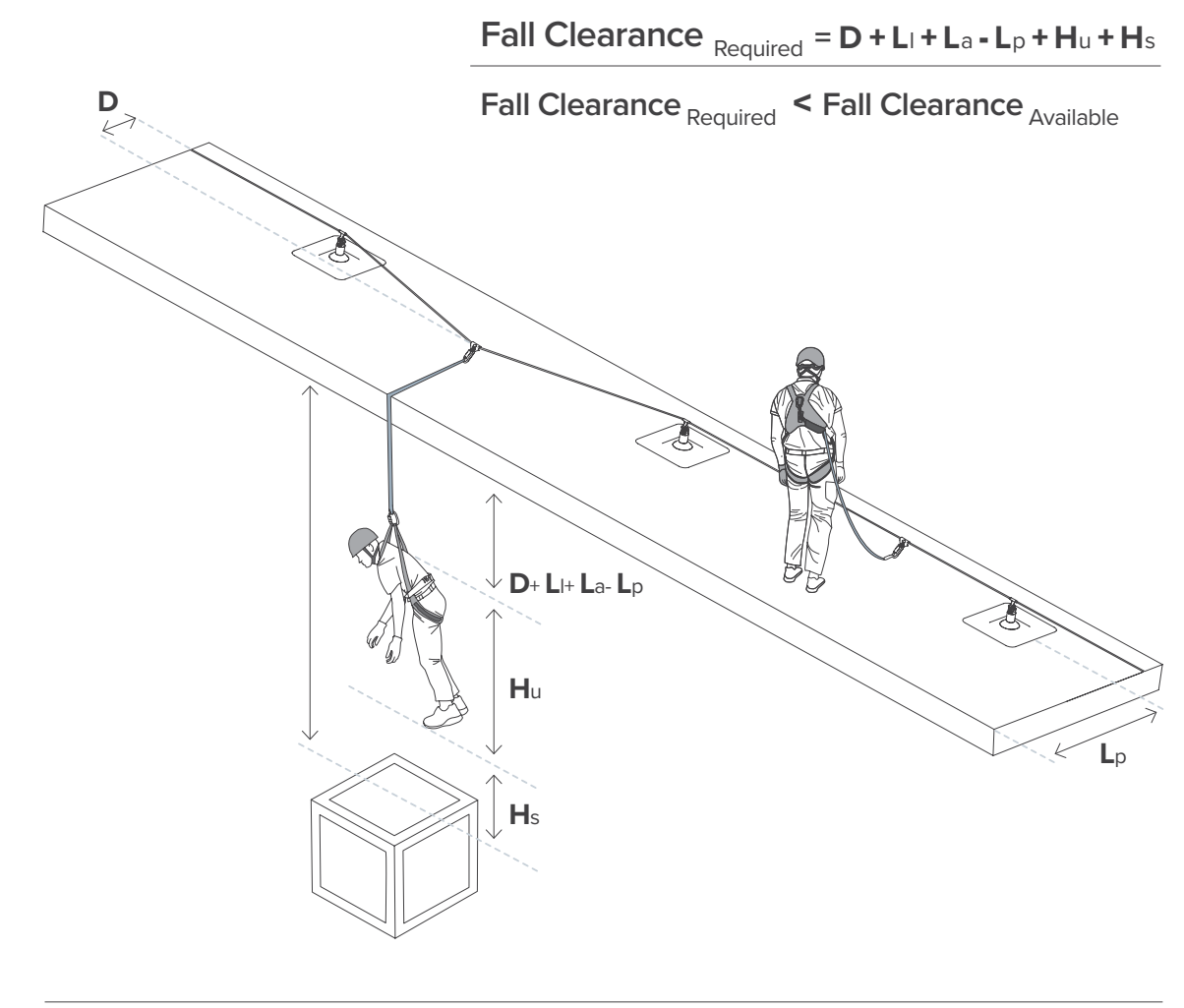
Some types of work at heights may include a risk of pendulum effect, causing the fallen worker to swing into obstacles. A maximum angle of 30° with respect to the anchorage system or anchor point is recommended to minimize that pendulum effect.

Fall Clearance

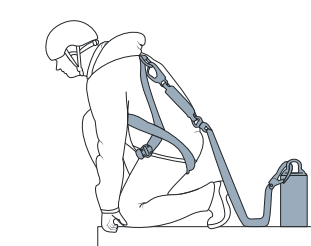
The height of fall must be less than the available clearance so that the person falling does not hit an obstacle during the fall.

The height of fall is the sum of the terms given below:

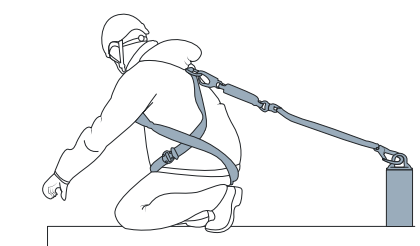
- D: the deflection of the lifeline.
- Ll: the length of the lanyard.
- La: the braking distance of the energy absorber.
- Lp: distance between the lifeline and the edge from which the user can fall
- Hu: the user height
- Hs: the safety height



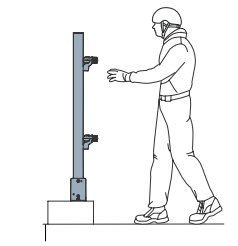
Fall Arrest



Fall Restraint



Collective protection



Personal fall arrest systems minimize injuries in the event of a fall and the restraint systems prevent a person from reaching the area where there is a risk of falling. Collective protection provides a secure working area for all individuals involved.

ADVANTAGES

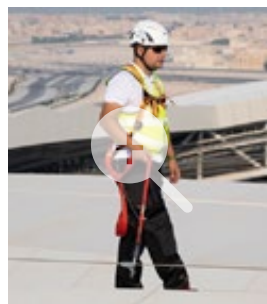
- For 4 users (EN) / 2 users (U.S.A. & Canada)
- 15m (49') max. between anchors
- Freehand system
- Undeformable
- Energy absorbing on orientable intermediate anchors
- Wide range of brackets for all structures or roofing
- Possibility of custom-made solutions with the Fallprotec's engineering department



Compliant with
EN 795:2012 Type C
CEN/TS 16415:2013
ASSP/ANSI Z359.6 & CSA259.16
BS8610



Case Studies



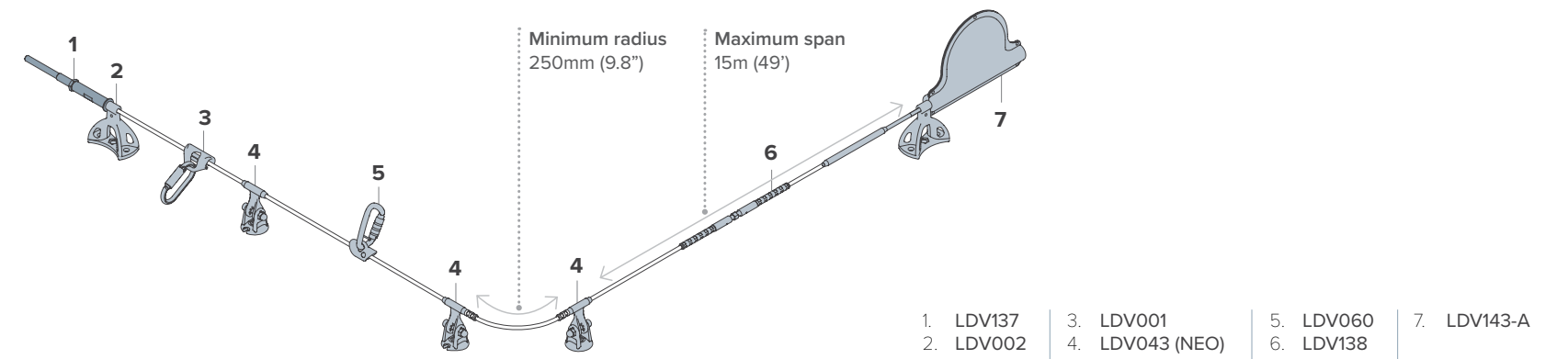
Click on the picture to see all case studies related to this product.

Videos

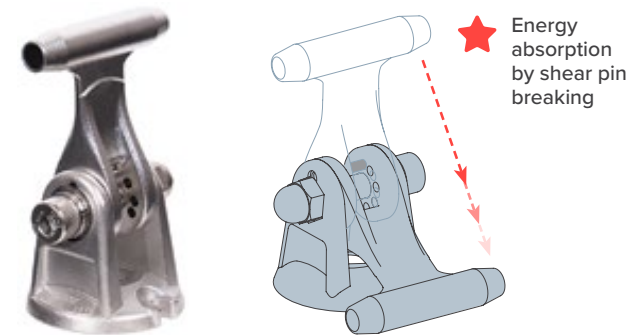


Click on the picture to watch the full video and others related to this system in our YouTube channel

Horizontal SecuRope 2012 lifeline directly on concrete



Intermediate anchors for horizontal lifelines



	LDV043 (NEO)	LDV155 (TEVO)
Energy absorbing	•	
Undeformable	•	•
Stainless steel components	•	•
Suitable for fragile structures	•	
Available in copper alloy for ATEX environments	•	



The TEVO anchor, a competitive solution, has been specifically designed for concrete grounds and rigid structures.

LDV155 (TEVO)

Glider with steel carabiner

Fallprotec offers a wide range of gliders adapted to each type of situation. Delivered with steel carabiners, the glider passes smoothly over the intermediate anchors, letting the user move freely along the lifeline.

1. LDV001 / 2. LDV043 (NEO)

Fallprotec provides captive gliders (LDV111) and opening gliders (LDV001), gliders for lifelines in every configuration. It also offers a glider for inclined lifelines blocking instantly in case of a fall. Smooth gliding through the anchors.

LDV275

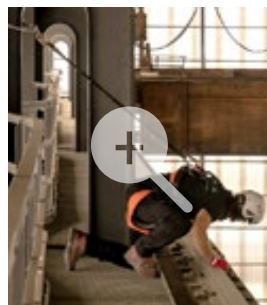
ADVANTAGES

- For 4 users (EN) / 2 users (U.S.A. & Canada)
- Undeformable
- Can be used with retractable fall arresters
- Also for curved sections (minimum radius: 250mm (9.8"))
- The glider passes smoothly over NEO anchor with a retractable fall arrester
- Often used in the industry for works above machines. Recommended for a distance between the lifeline and the walkway up to 7m (22')
- Can be installed in corrosive environments

Compliant with
EN 795:2012 Type C
CEN/TS 16415:2013
ASSP/ANSI Z359.6 & CSA259.16

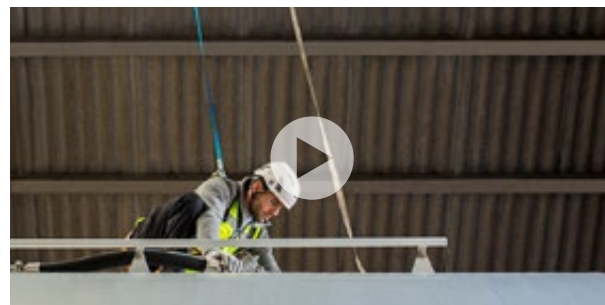


Case Studies



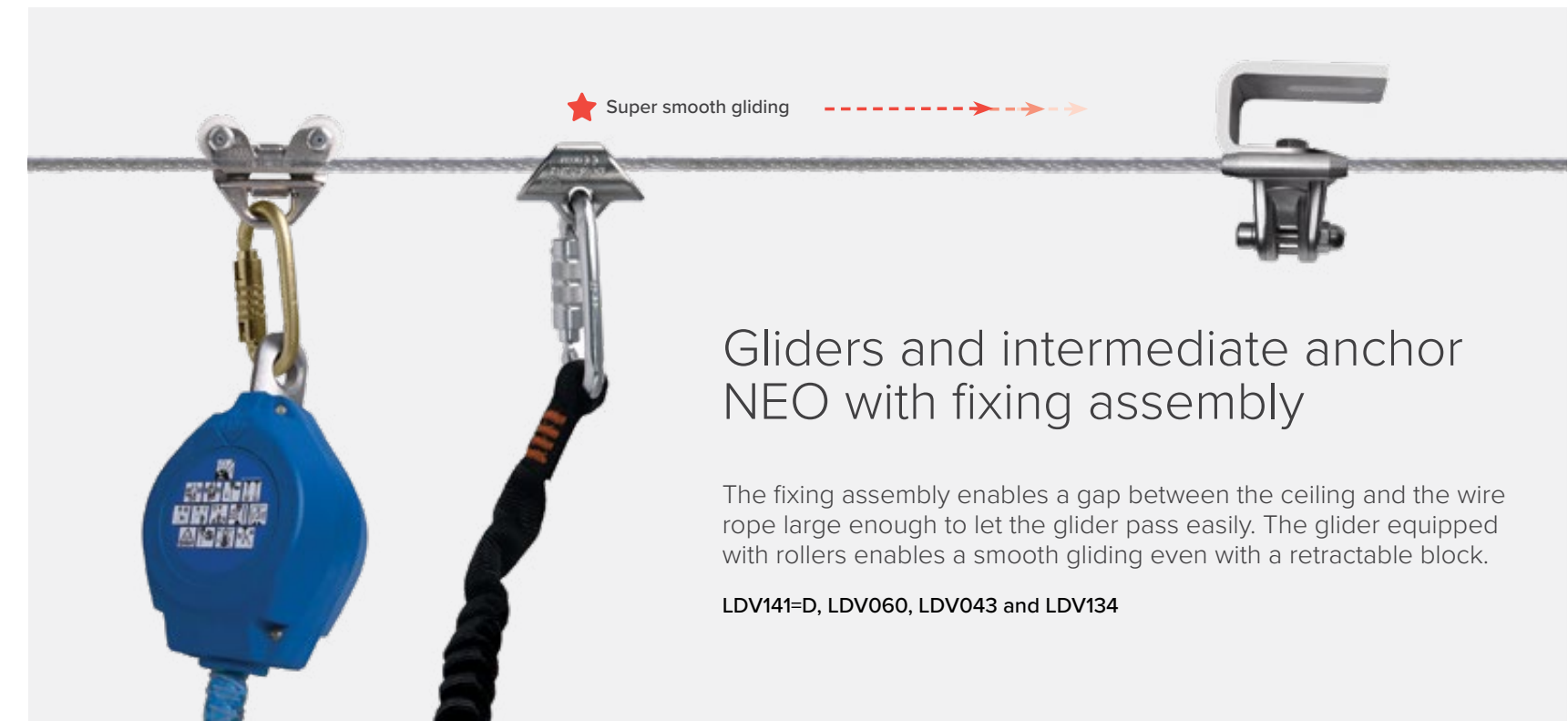
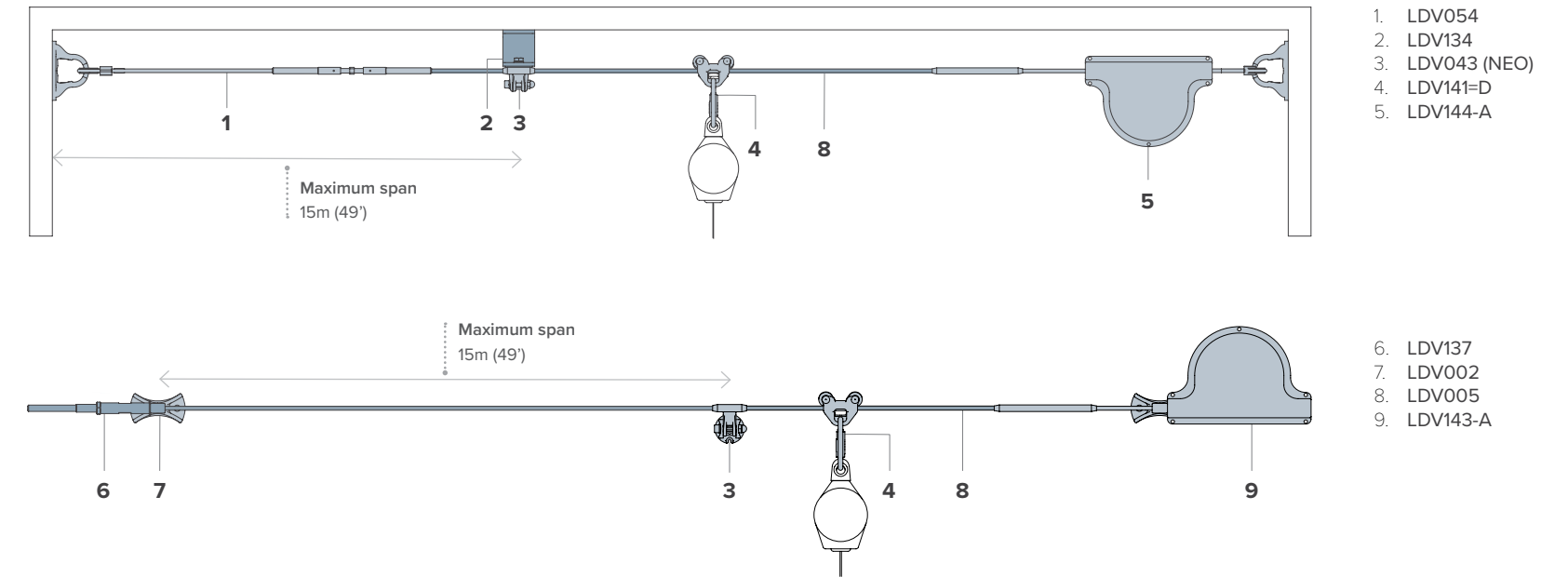
Click on the picture to see all case studies related to this product.

Videos



Click on the picture to watch the full video and others related to this system in our YouTube channel

SecuRope 2012 Lifeline between two walls and SecuRope 2012 Lifeline on wall configuration



ADVANTAGES

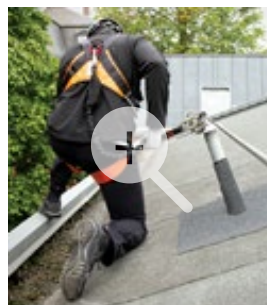
- For 4 users (EN) / 2 users (U.S.A. & Canada)
- Undeformable
- Compatible with SecuRope EVO, SecuRope 2012 and Securail Pro
- Galvanised steel 500 mm (19") or 750 mm (29") high
- Stainless steel on demand
- Bespoke fixings available upon request



Compliant with
EN 795:2012 Type C
CEN/TS 16415:2013
ASSP/ANSI Z359.6 & CSA259.16

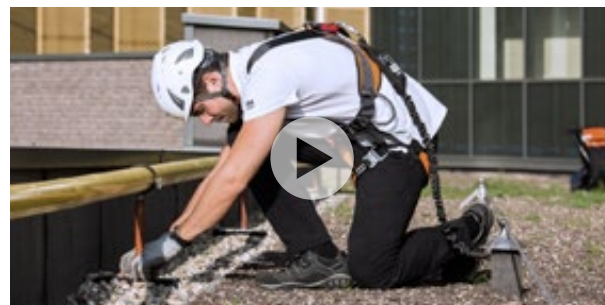


Case Studies



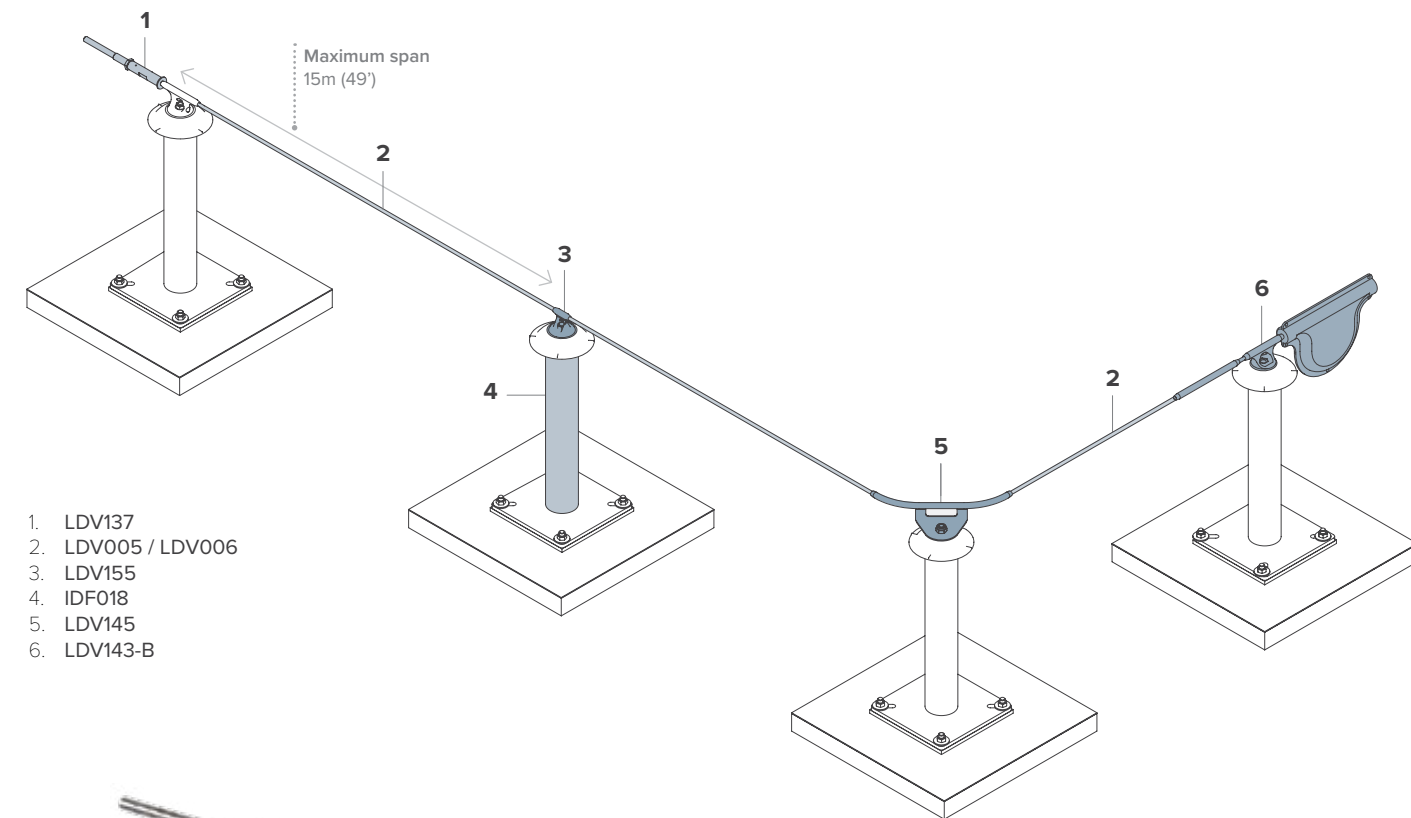
Click on the picture to see all case studies related to this product.

Videos



Click on the picture to watch the full video and others related to this system in our YouTube channel

SecuRope EVO lifeline on posts



LDV137, LDV155, LDV006, LDV081, IDF019 and LDV058

End anchor on post

The posts can be waterproofed using various techniques:

- LDV081 Waterproofing collar. This collar is set between the post and the lifeline anchor during the mounting of the lifeline. The water drips around the post as the collar deflects it.
- IDF081 flashing. This system is composed of a plastic base, a thermo-retractable sleeve and a prefitted roofing membrane.

The user stays connected while moving along the lifeline and passing the intermediate anchors, having an excellent freedom of movement and reaching safely any point of the structure.

For rigid structures such as concrete or steel beams, the undeformable Fallprotec post is a safe choice.

ADVANTAGES

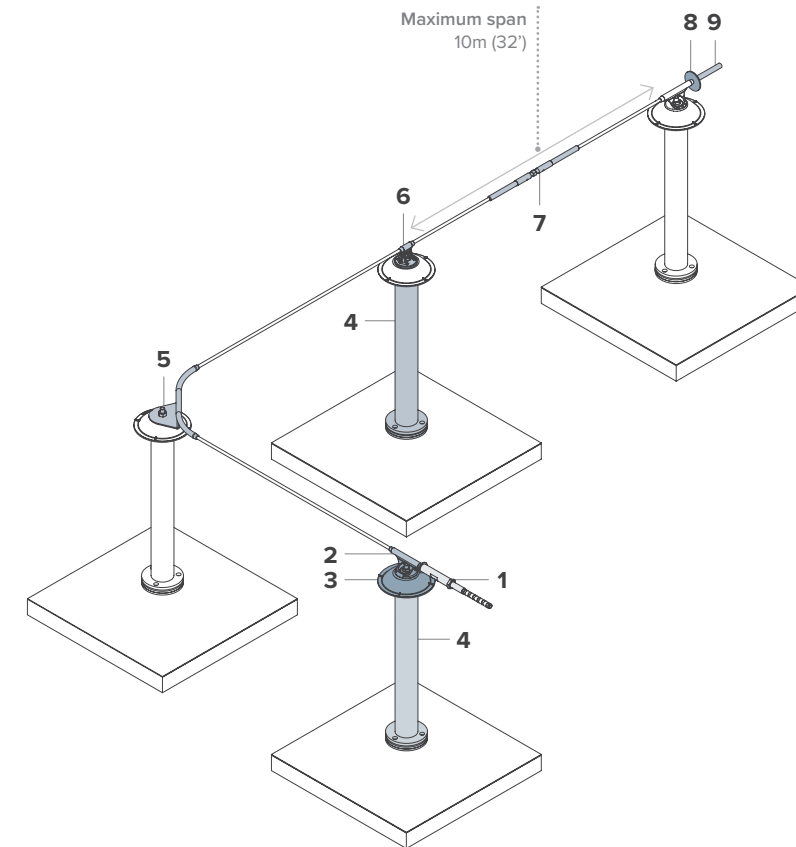
- For 2 users
- Semi-rigid post (deforms in case of fall)
- Compatible with SecuRope EVO, SecuRope 2012 and Secura
- Usable on various roofings (concrete, hollow concrete, cold deck, hot deck and wooden roof)
- Energy absorbing
- Can be mounted before the insulation to secure the construction site
- Easy to mount on trapezoidal metal sheet thanks to its self-drilling screws

Compliant with
EN 795:2012 Type C
CEN/TS 16415:2013
ASSP/ANSI Z359.6 & CSA259.16

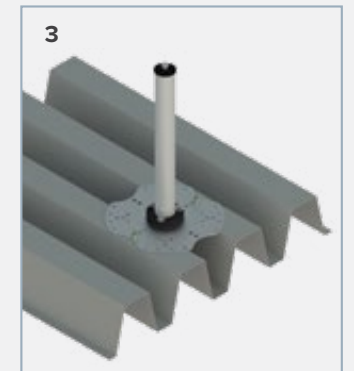
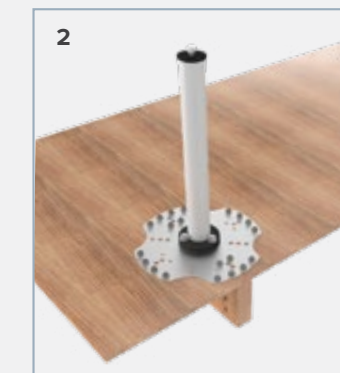
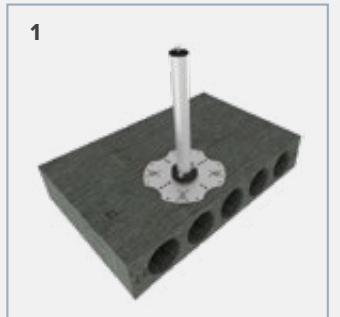
Applications



SecuRope EVO lifeline on Unipost

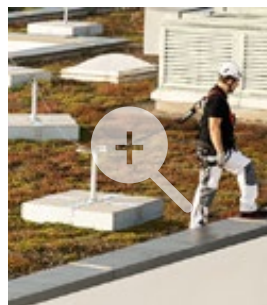


One post for most supports. This reduces the components in stock and simplifies rigging on site. The Unipost can also be used as fixing assembly for an anchor point.



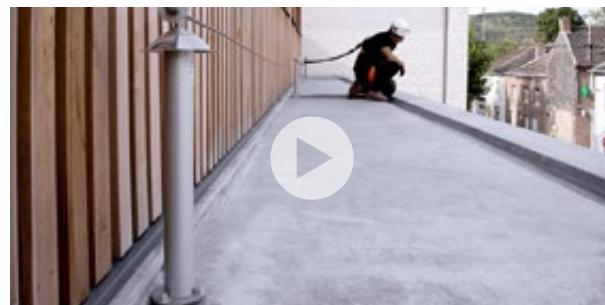
1. PRECAST HOLLOW ROOF
2. WOODEN ROOF
3. METAL SHEET
4. SELF-STANDING BLOCKANCHOR

Case Studies



Click on the picture to see all case studies related to this product.

Videos



Click on the picture to watch the full video and others related to this system in our YouTube channel

Unipost means « Universal post ». It may be installed on several types of roofing thanks to the universal fixing interface in laser cut plate.

The Unipost protects the roofing from possible damages when stopping a fall. Thanks to an energy absorbing device located at the foot of the post, only the post tube deforms and not the fixing interface.

1. LDV137
2. LDV155
3. LDV081
4. IDF031
5. LDV145
6. LDV155
7. LDV138
8. LDV108
9. LDV008

ADVANTAGES

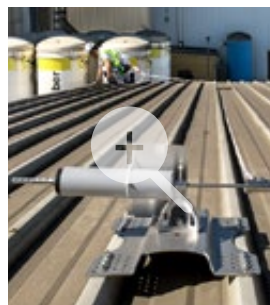
- For 4 users (EN) / 2 users (U.S.A. & Canada)
- Energy absorbing
- Absorbs dilatation and contraction of roof sheets
- Compatible with SecuRope 2012 and SecuRail Pro



Compliant with
EN 795:2012 Type C
CEN/TS 16415:2013
ASSP/ANSI Z359.6 & CSA259.16



Case Studies



Click on the picture to see all case studies related to this product.

Videos



Click on the picture to watch the full video and others related to this system in our YouTube channel

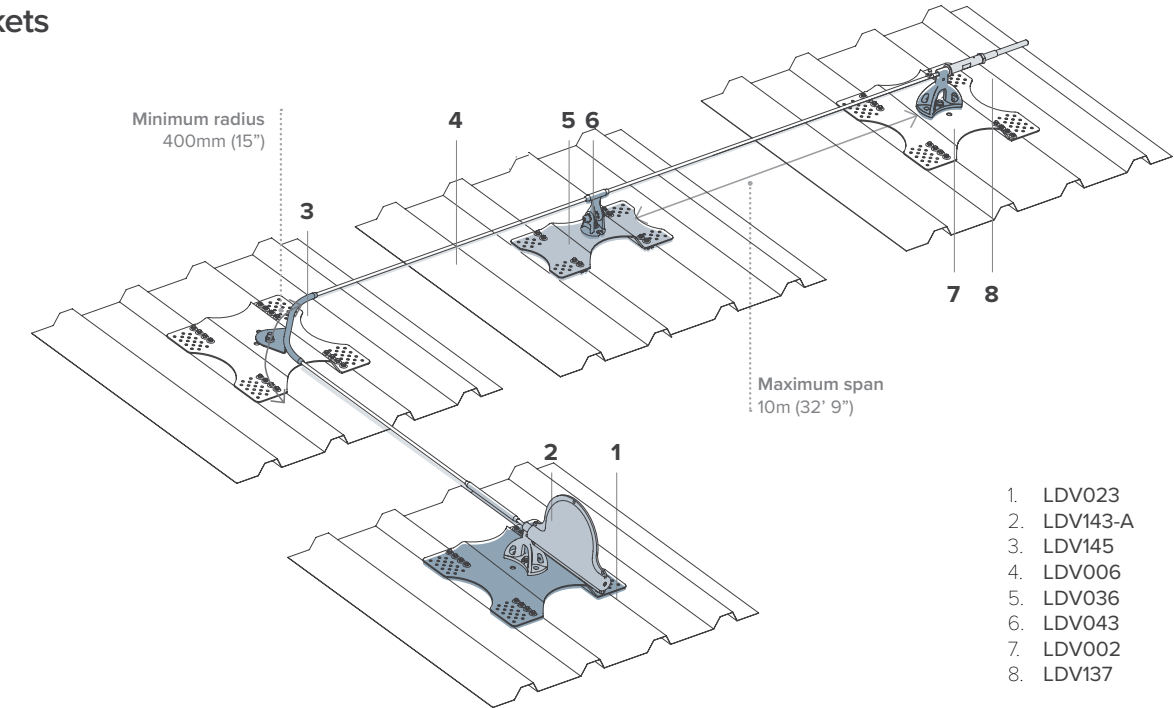
SecuRope 2012 on cold deck brackets

The fixing bracket for cold deck roofs has a unique design that distributes the load evenly.

Combined with the energy absorbing mechanism of the SecuRope 2012 lifeline, it is the best system for fragile roofs.

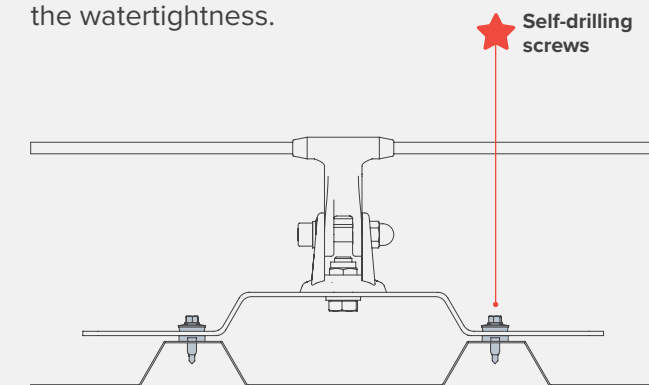
Supplied with self drilling screws specially designed for their high pull out strength.

Ideal for the maintenance and repair of any industrial facility, safe access to solar panels, ventilation outlets, roof skylights and gutters.



Fixing detail

The bracket is fixed on the corrugated metal sheet with self-drilling screws. The sealing tape in EPDM ensures the watertightness.



NEO Anchor on fixing assembly

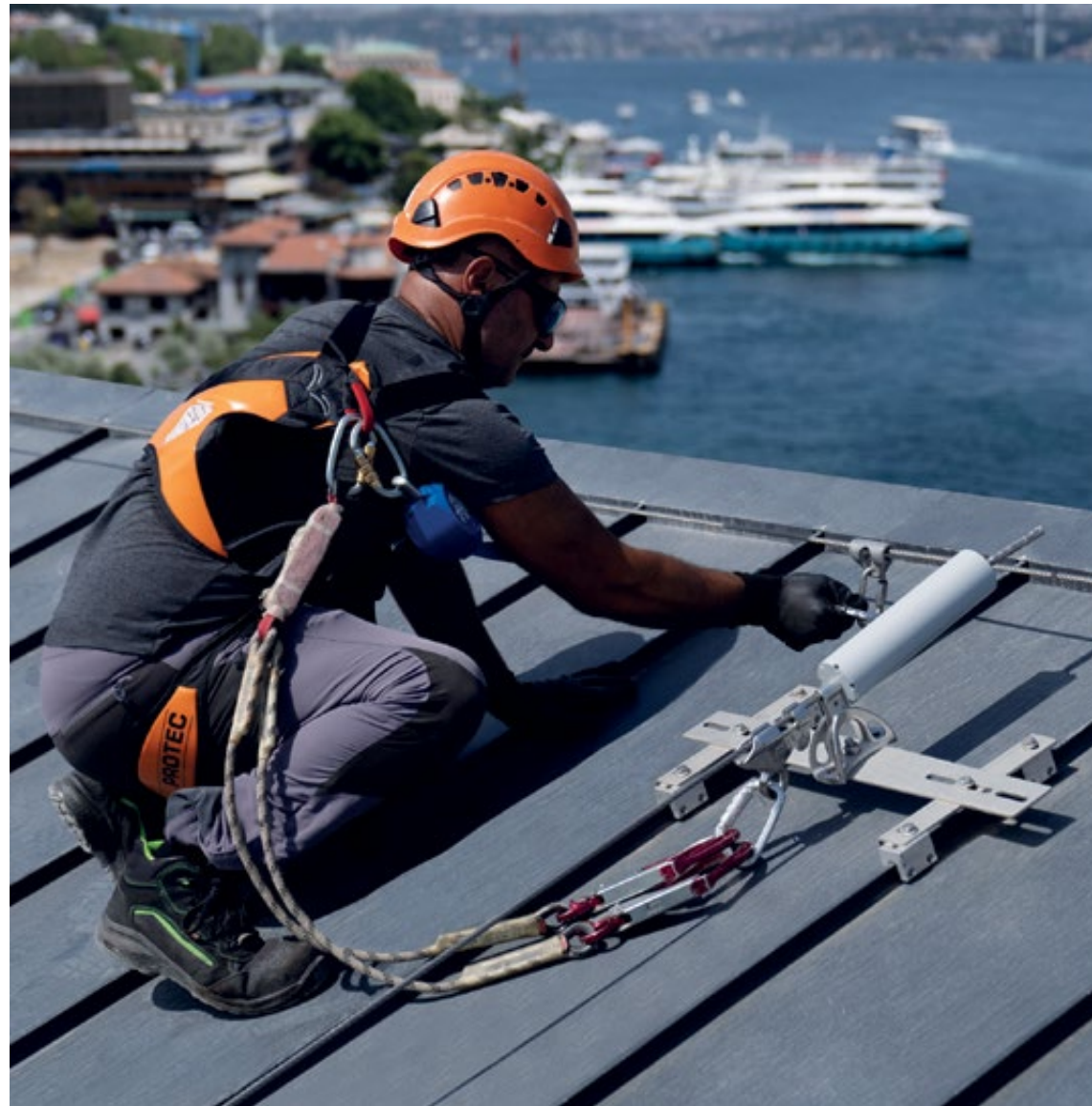
The bracket ensures a homogeneous distribution of the pull-out force on the cold deck roof. Stainless steel.

LDV043 (NEO) / LDV036



ADVANTAGES

- For 4 users (EN) / 2 users (U.S.A. & Canada)
- Energy and dilatation absorption
- No drilling needed
- Wide range of clamps for seams
- Aluminium and stainless steel components
- Also for copper
- Compatible with SecuRope 2012 and SecuRail Pro



Compliant with
EN 795:2012 Type C
CEN/TS 16415:2013
ASSP/ANSI Z359.6 & CSA259.16



Case Studies



Click on the picture to see all case studies related to this product.

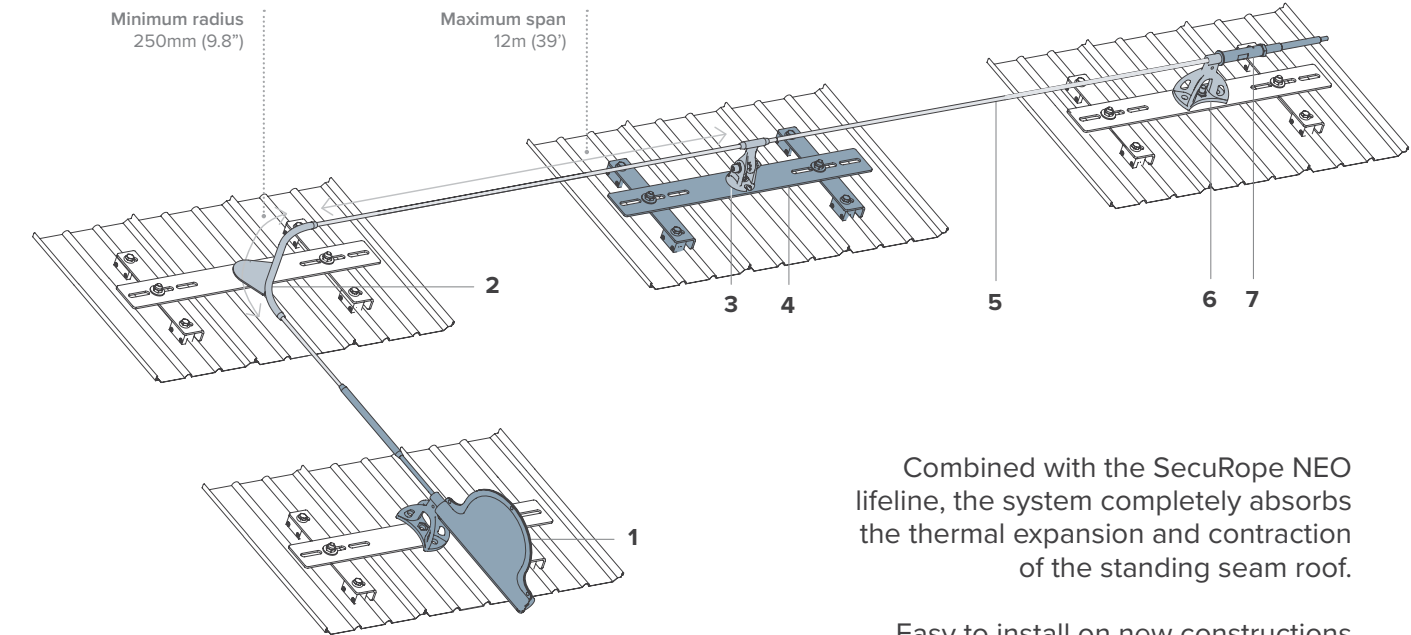
Videos



Click on the picture to watch the full video and others related to this system in our YouTube channel

SecuRope 2012 on standing seam roof

The fixing bracket for standing seam roof is clamped on the seam and does not require any perforation. The clamps combine high pull out and shear strength.



1. LDV143-A
2. LDV145
3. LDV043
4. IDF060
5. LDV005/
LDV006
6. LDV002
7. LDV137

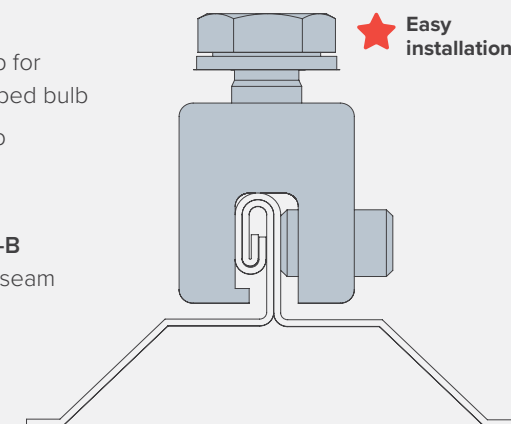
Combined with the SecuRope NEO lifeline, the system completely absorbs the thermal expansion and contraction of the standing seam roof.

Easy to install on new constructions or existing buildings.

Fixing clamps

Fallprotec provides different clamps to match the corresponding standing seam roof:

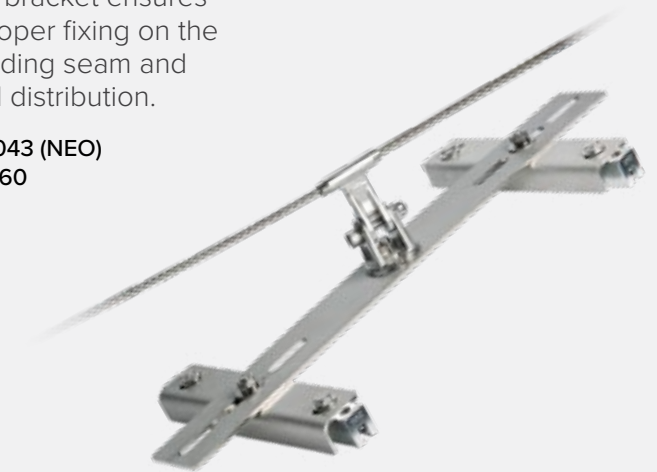
- IDF042 S5-E** clamp for standing seam roof with double folds
- IDF045 S5-Z** clamp for standing seam shaped bulb
- IDF043 S5-S** clamp for standing seam with double folds
- IDF041 Copper S5-B** clamp for standing seam with double folds



NEO Anchor on fixing assembly

The bracket ensures a proper fixing on the standing seam and load distribution.

LDV043 (NEO)
IDF060



ADVANTAGES

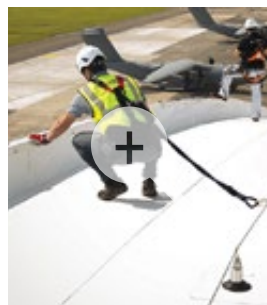
- For 4 users (EN) / 2 users (U.S.A.&Canada)
- Undeformable
- Energy absorbing
- Can be retrofitted
- Compatible with all bituminous membranes
- Compatible with TPO, FPO, EPDM
- Reinforced toggle bolt
- Compatible with PVC-P membranes
- Compatible with SecuRope 2012 and SecuRail Pro

Compliant with
EN 795:2012 Type C
CEN/TS 16415:2013
ASSP/ANSI Z359.6 & CSA259.16

Applications



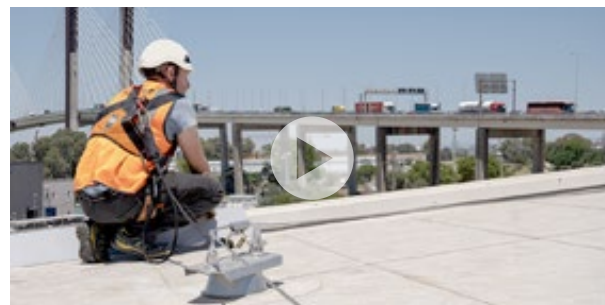
Case Studies



Click on the picture to see all case studies related to this product.



Videos



Click on the picture to watch the full video and others related to this system in our YouTube channel

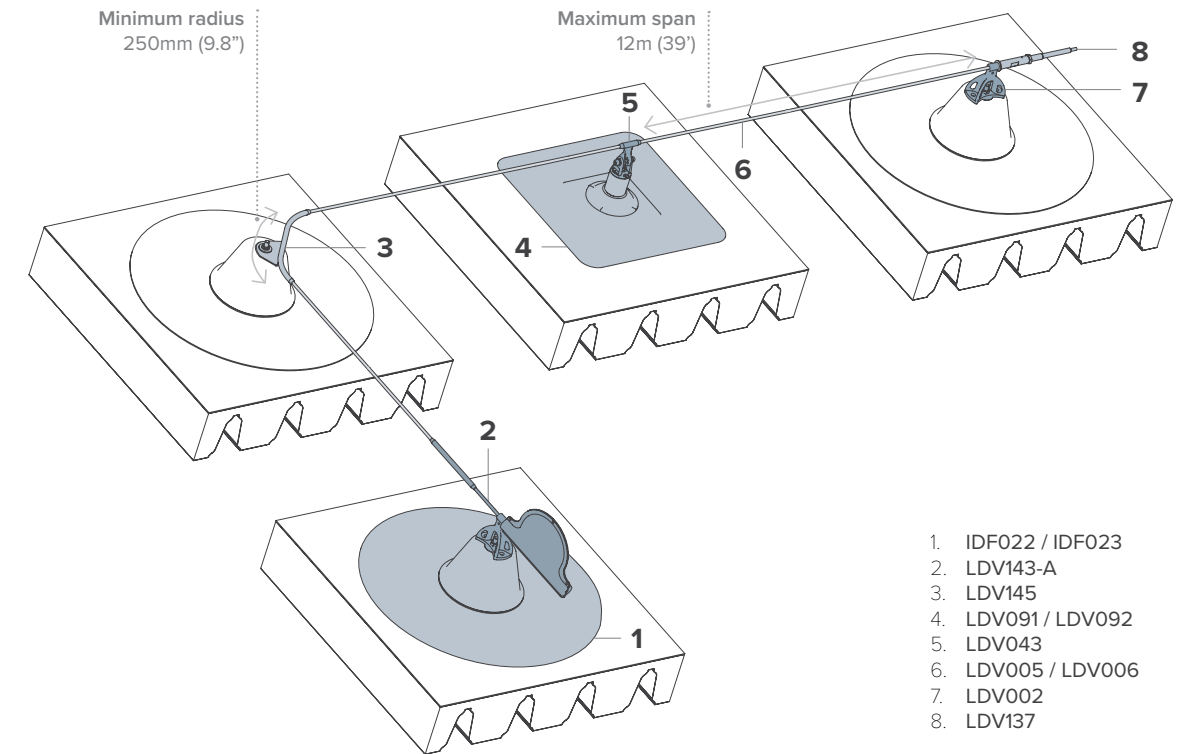
Securope 2012 on hot deck brackets

The Multipost and SpotAnchor are designed for hot deck roofs.

High resistance toggle bolts enable the fixing on corrugated metal sheets, wooden panels or precast concrete.

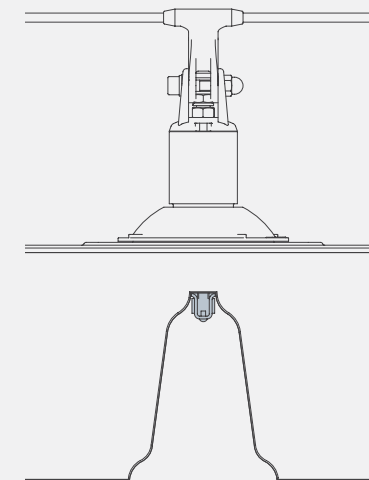
Only the toggle bolt passes through the isolation, then thermal bridges are minimized. The roofing collar, in bitumen or PVC-P, is prefitted in the factory to guarantee the waterproofness.

Easier to retrofit on existing buildings.



Fixing detail of SpotAnchor

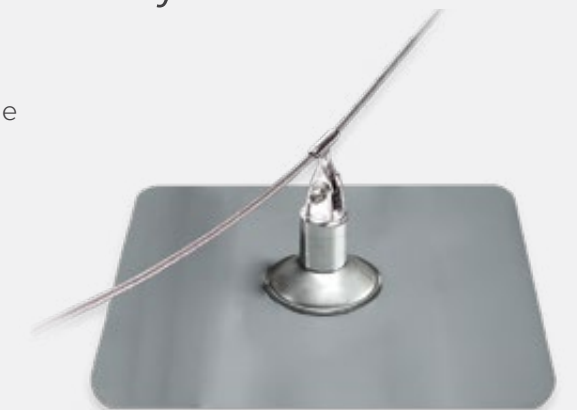
The SpotAnchor is fixed by a reinforced toggle bolt FAS005. This allows a distribution of forces on a large surface.



NEO Anchor on SpotAnchor fixing assembly

For modern constructions with wooden panels, the SecuRope lifeline is installed on SpotAnchor.

LDV043 (NEO) / LDV092



ADVANTAGES

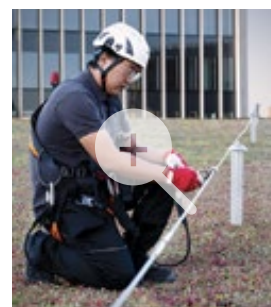
- For 2 users
- Compatible with SecuRope EVO
- Easy installation
- Preserves the roof's isolating properties
- Stainless steel anchor point
- No perforation of roofing membrane
- Possibility of custom-made solutions with the Fallprotec's engineering department

Compliant with
EN 795:2012 Type C & Type A
CEN/TS 16415:2013

Applications



Case Studies



Click on the picture to see all case studies related to this product.



Videos

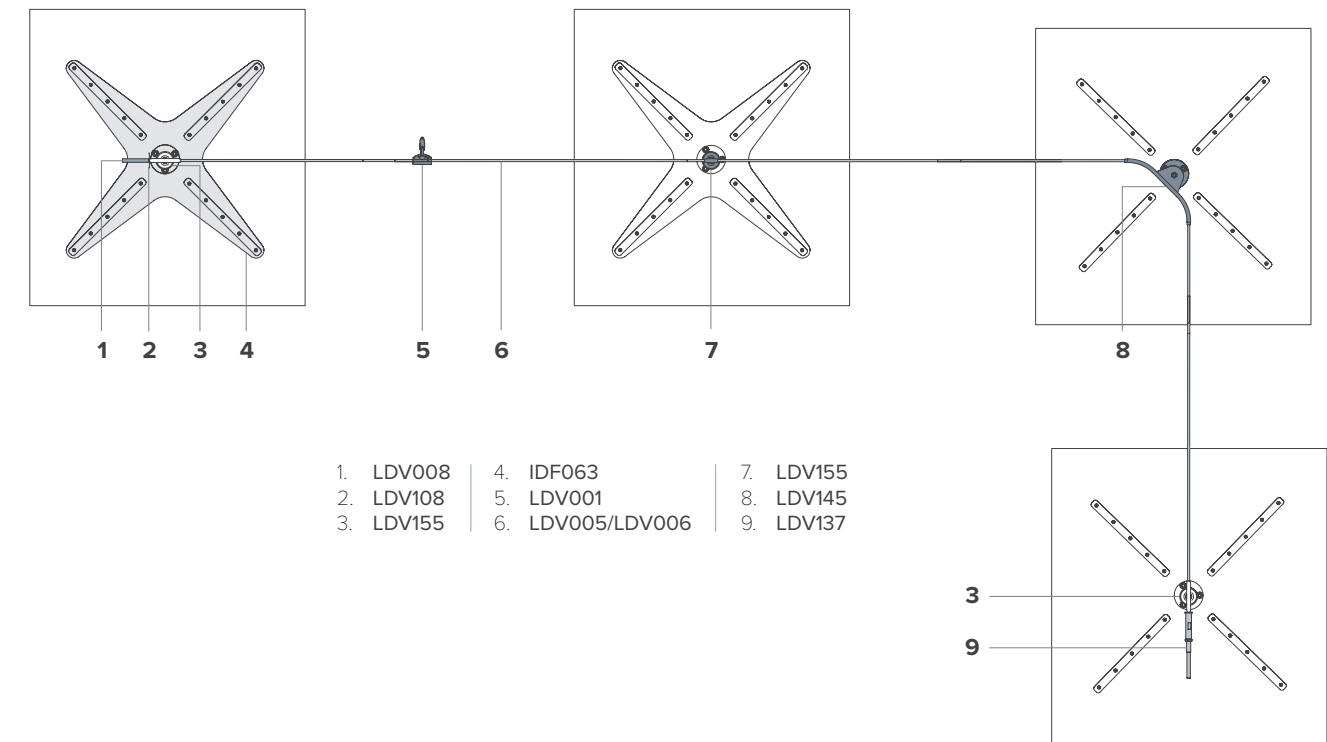


Click on the picture to watch the full video and others related to this system in our YouTube channel

Horizontal Unipost lifeline for green roofs

The Unipost for green roof is either used as anchor point for one or two persons or as support for the lifeline. It can be used on horizontal roofs up to a slope of 5°. The waterproofing, roof insulation and roof structure remain intact.

Substrate or gravel covers the mat, ensuring the lifeline's stability.



Absorbing energy by deformation in case of fall

Unipost on fall arrest mat

The M12 threaded bolt allows the attachment of an anchor point for one or two persons or a Securope anchor.

IDF063 / IDF067

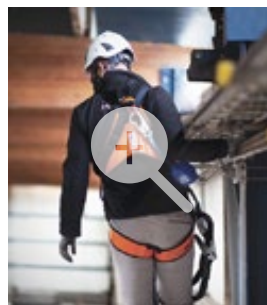
ADVANTAGES

- For 4 users (EN) / 2 users (U.S.A. & Canada)
- Easy and quick installation
- Undeformable
- Smooth movements along the lifeline
- Stainless steel
- Harmonized design for standard beams with a flange from 50 to 300mm (2" to 11.8")
- Clamping perpendicularly or in parallel to the axis of the exerted force
- Compatible with SecuRope 2012, SecuRope EVO, Secura, SecuRail Pro and SafeAccess

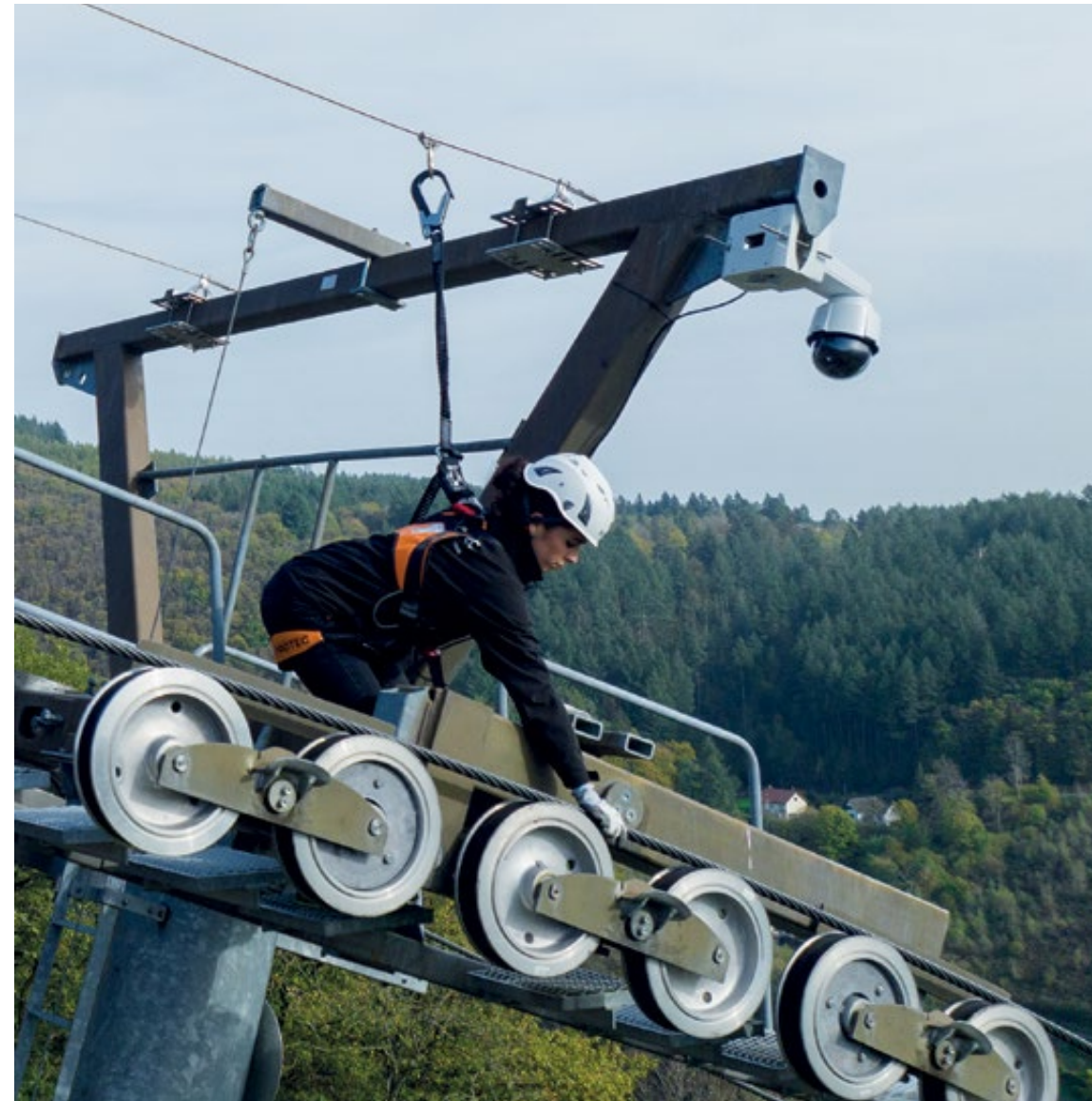
Compliant with
EN 795:2012 Type C
CEN/TS 16415:2013
ASSP/ANSI Z359.6 & CSA259.16



Case Studies



Click on the picture to see all case studies related to this product.



Videos

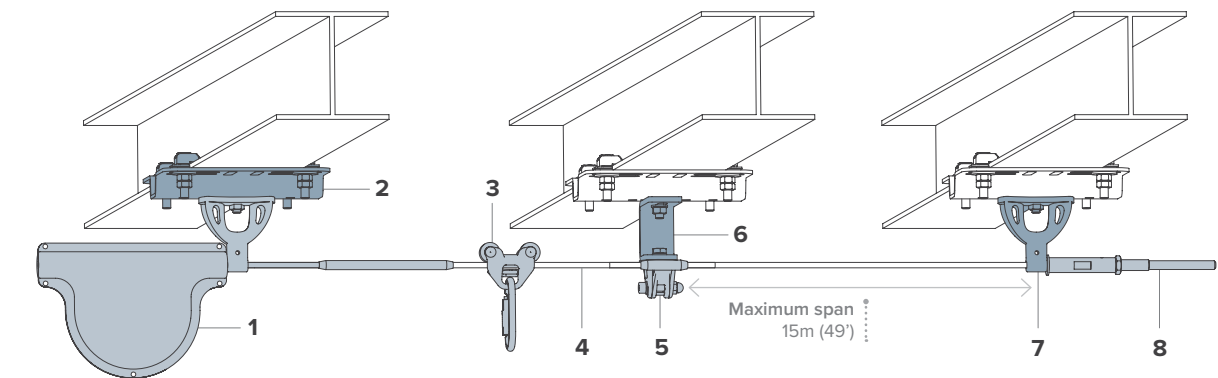


Click on the picture to watch the full video and others related to this system in our YouTube channel



Fallprotec's engineering department adapts the SecuRope system to cope with any particular requirement of a project.

Horizontal SecuRope 2012 lifeline on steel beam



The SecuRope 2012 lifeline can be attached to beams through a system of clamps. Using this type of fastening enables a solid fixation of the lifeline without drilling. Particularly useful for industrial configurations, the SecuRope 2012 lifeline with crimping rings can stop a fall with very low cable deflection.

1. LDV143-A
2. IDF050
3. LDV141=D
4. LDV005
5. LDV043
6. LDV134
7. LDV002
8. LDV137



Fixing assembly for a vertical fastening on a steel column using clamps. Compatible with all types of Fallprotec anchoring devices for horizontal or inclined lifelines.

IDF051



Fixing assembly for fastening on a steel beam using a backplate. Compatible with all types of Fallprotec anchoring devices for horizontal or inclined lifelines. Also usable on wood and on concrete.

IDF055

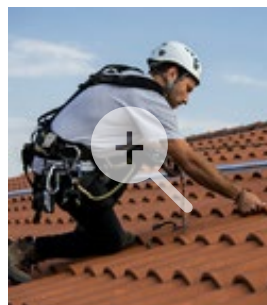
ADVANTAGES

- For 2 users
- Span up to 6m (20')
- 1,7 kg/m (1.14lbs/ft)
- Low deflection
- Anodized aluminium
- Absorbs dilatation / contraction
- Possibility of custom-made solutions with the Fallprotec's engineering department

Compliant with
EN 795:2012 Type D
CEN/TS 16415:2013
ASSP/ANSI Z359.6 & CSA259.16



Case Studies



Click on the picture to see all case studies related to this product.



Videos

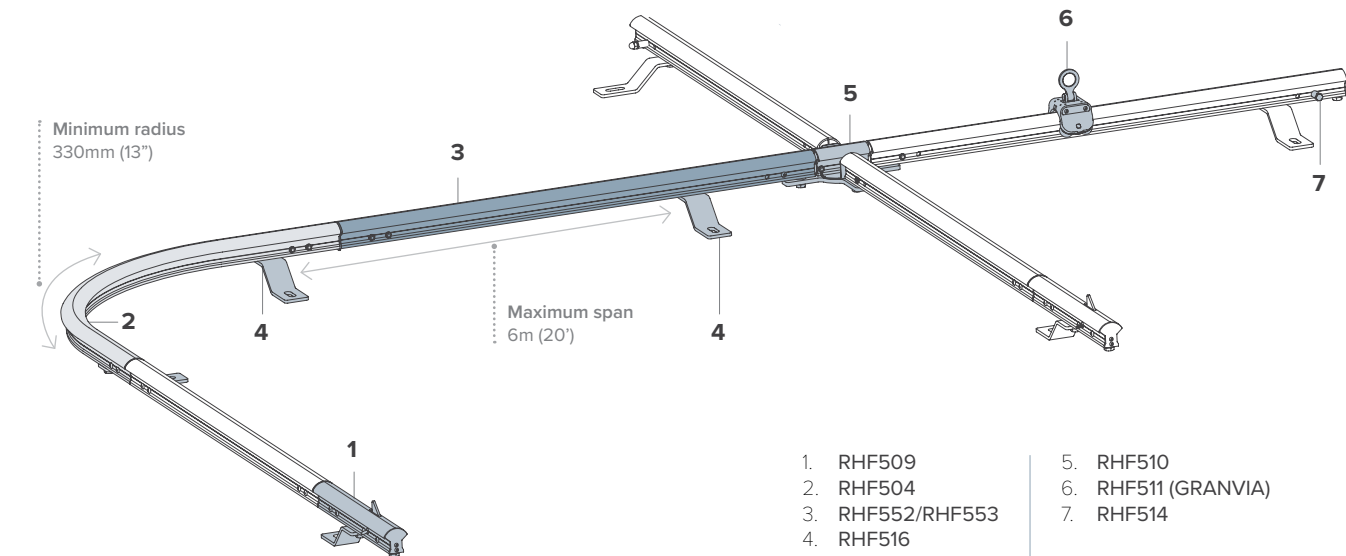


Click on the picture to watch the full video and others related to this system in our YouTube channel

Horizontal SecuRail Pro lifeline on ground

The SecuRail Pro is a rigid and versatile fall arrest rail. This unique profile has a high inertia that enables a 6 meter (20') span between supports.

It is ideal for work sites with low fall clearance.



Trolley GRANVIA

The rollers enable a smooth gliding of the trolley.

Overspeed trolley

The trolley works for both inclined and horizontal lifelines. This allows the assembly of horizontal lifelines with sloped sections, all in one, avoiding the user's disconnection.

Trolley GRANVIA

The GRANVIA fall arrest trolley equipped with rollers glides smoothly along the track following the user's movement. Anti-derailment claws mounted between the rollers keep the trolley firmly on the track. The same trolley is used for ground, wall and ceiling configuration.

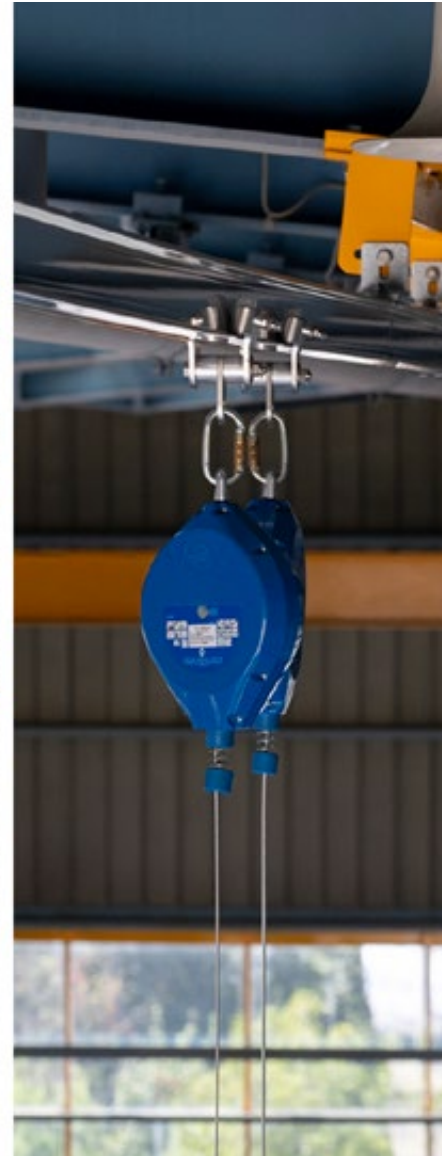
RHF511 (GRANVIA)

ADVANTAGES

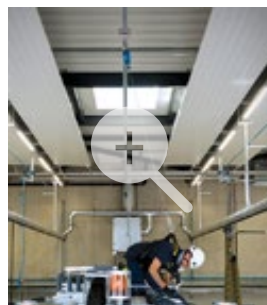
- For 4 users (EN) / 2 users (USA & Canada)
- For 2 users with Flexbow system
- 5kg/m (3,35 lbs/ft)
- Span of 6m (20')
- Undeformable
- ATEX certified Aluminium 6060T6
- Possibility to fold away the Flexbow and SafeAccess system when not in use
- Possibility of custom-made solutions with the Fallprotec's engineering department

Compliant with
EN 795:2012 Type D
CEN/TS 16415:2013
ASSP/ANSI Z359.6 & CSA259.16

Applications

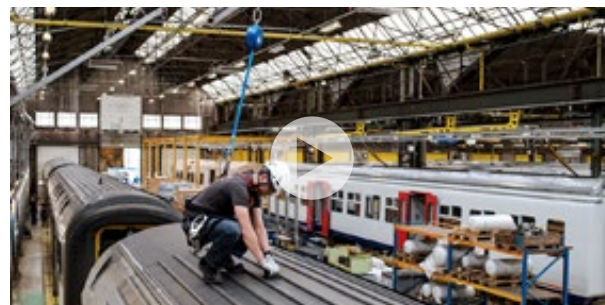


Case Studies



Click on the picture to see all case studies related to this product.

Videos



Click on the picture to watch the full video and others related to this system in our YouTube channel

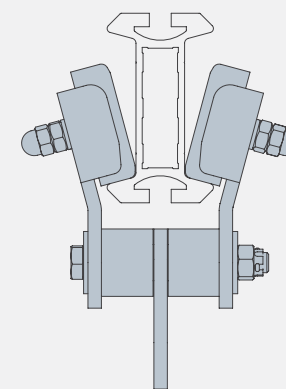
The SafeAccess is an undeformable fall arrest rail for industrial applications. Installed in overhead configuration, it is the most suitable system when the fall clearance is low.

ATEX certified for potentially explosive atmospheres, this rail is also ideal for petrochemical industries.

The aluminium rail is protected by a high-quality powder coated surface treatment that resists to marine environment.

The NAV 2 trolley equipped with rollers follows smoothly without any action from the end user.

Trolley NAV 2



The SafeAccess rail combined with a safety block enables the safest possible fall arrest.

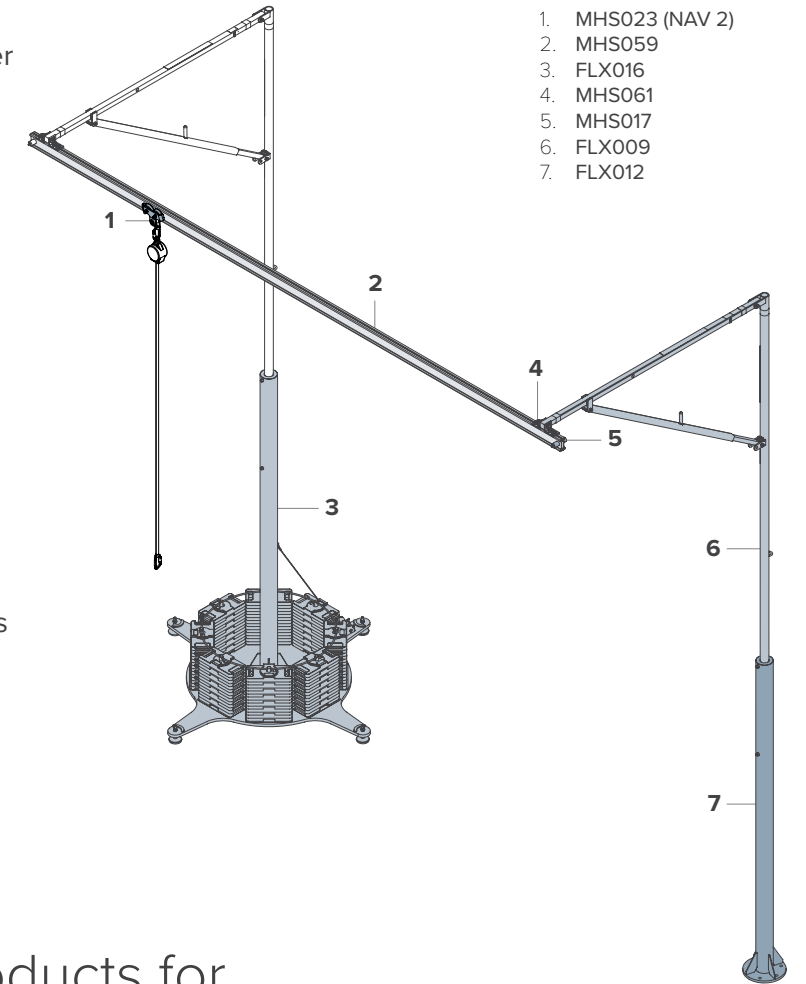
MHS023

SafeAccess fall arrest rail installed on Flexbow with counterweights and Flexbow on a post

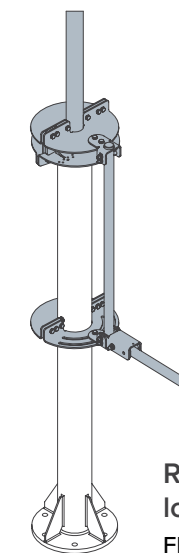
The Flexbow is a standardized outrigger beam to secure loading bays and machinery. Equipped with an integrated energy absorber, it is a lightweight and yet robust design for industrial applications with a minimum fall clearance of 4m (13').

Combined with the SafeAccess fall arrest rail for access on top of vehicles.

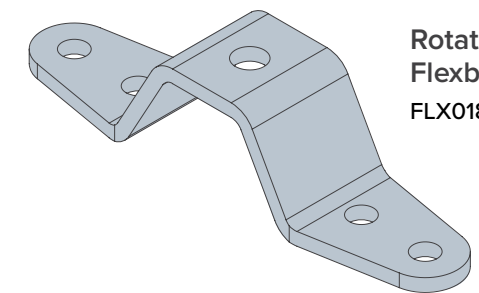
Several configurations (mobile, fixed on ground, fixed on wall...) are available.



Products for foldable system



**Rotatory lock kit
FLX017**



**Rotatory Junction
Flexbow-SafeAccess
FLX018**

ADVANTAGES

- Opening glider with safety lock
- Easy mounting
- Overpassing anchors
- Cable vibration absorption system
- Swagless system
- No deformation of the intermediate and top anchors
- Two options: Absorber integrated in the glider or on top anchor



Compliant with



EN353-1:2014 + A1:2017
OSHA 1910 + ANSI A14 -3

Applications



Case Studies



Click on the picture to see all case studies related to this product.

Videos



Click on the picture to watch the full video and others related to this system in our YouTube channel

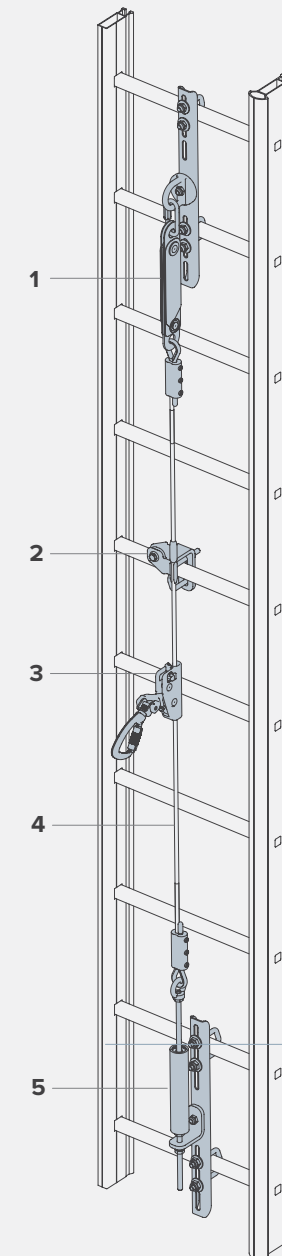
SecuRope QuickSet Vertical lifeline type 1 with absorber on line

The SecuRope QuickSet is designed for wind turbines, pylones, masts or industrial sites. This flexible system is used with stainless steel cables. The glider is openable and can be inserted or removed at any point of the cable.

Two types of fall arrest systems are possible with this lifeline.

Type 1: Energy absorber fixed on the top anchor. It is permanently fixed on the lifeline.

Type 2: Energy absorber fixed on the opening glider. The glider locks instantly in case of a fall, triggering the energy absorption device.



Ladder lifeline

1. LDV233
2. LDV241
3. LDV250
4. LDV006
5. LDV266



New ZIP!
fall arrest opening glider fitted with energy absorber

Passing smoothly through the anchors, the glider locks in case of a fall.

LDV255

ADVANTAGES

- Light aluminium rail
- Undeformable
- Freehand system
- On ladder or with fixed rungs (MastLadder)
- Easy use
- Trolley equipped with an energy absorber
- Possibility of custom-made solutions by the Fallprotec's engineering department

Compliant with



EN353-1:2014
EN353-1:2014 + A1:2017
OSHA 1910 + ANSI A14 -3

Applications



Case Studies



Click on the picture to see all case studies related to this product.



Videos

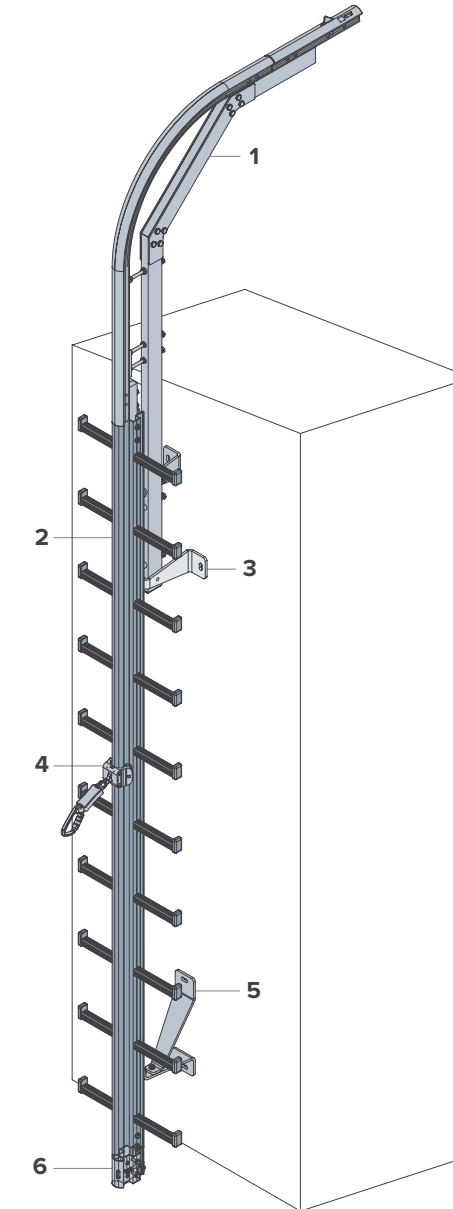


Click on the picture to watch the full video and others related to this system in our YouTube channel

SecuRail Pro MastLadder and SecuRail Pro Vertical lifeline clamped on a ladder

The SecuRail Pro Vertical is a rigid lifeline to secure access on any structure. When clamped on an existing ladder it secures the end user much better than the regular safety hoops.

A MastLadder fitted with fixed rungs is designed for confined spaces, for industrial halls or for telecommunication towers. Undeformable stainless steel brackets connect the MastLadder to the structure.

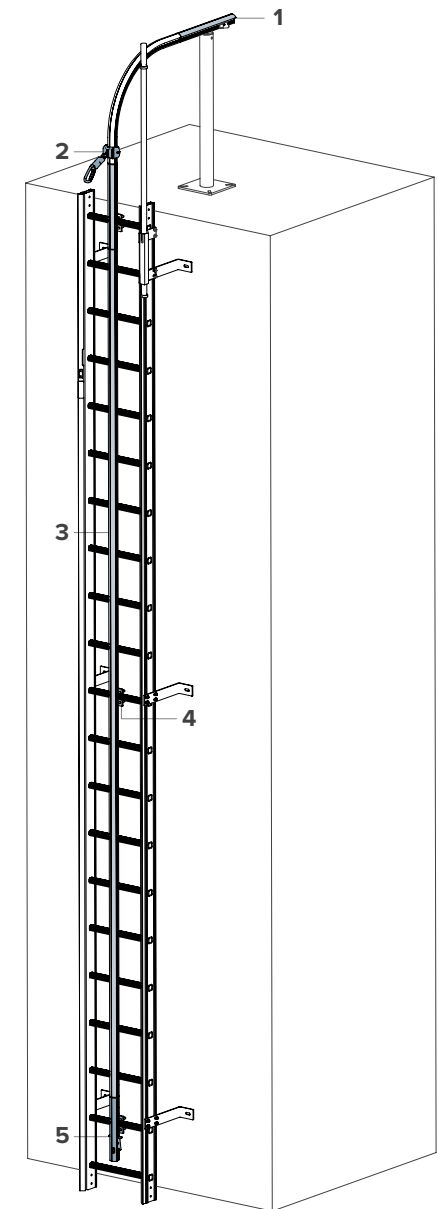


MastLadder lifeline

1. RHF715
2. RHF700
3. RHF712
4. RHF518 (GRANVIA 4)
5. RHF710
6. RHF706

SecuRail Pro

1. RHF520
2. RHF518 (GRANVIA 4)
3. RHF552 / RHF553
4. RHF521
5. RHF522



ADVANTAGES

- Easy use
- Ergonomic
- Integrated rigid fall arrest
- Rigid and stable ladder
- Standard brackets in various lengths
- Anodized aluminium
- Possibility of custom-made solutions with the Fallprotec's engineering department

Compliant with

CE
EN353-1:2018
OSHA 1910 + ANSI A14 -3

Applications



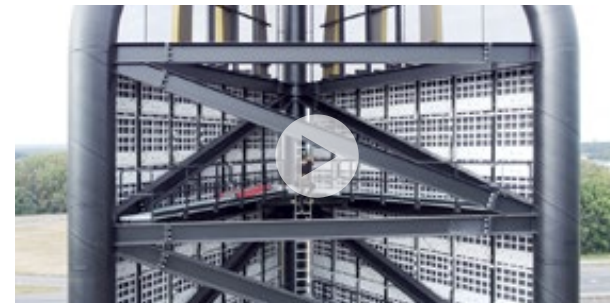
Case Studies



Click on the picture to see all case studies related to this product.



Videos



Click on the picture to watch the full video and others related to this system in our YouTube channel

SafeLadder Pro

The SafeLadder Pro works with the same rail system as the MastLadder.

A SecuRail Pro is integrated in the ladder upright. A GRANVIA 4 trolley is inserted on this rail, which means the user can comfortably climb the ladder up while being secured at all times.

Various SafeLadder types and accessories are available to fit any situation: temporary SafeLadder, platform to cross the parapet, fold-up section for confined spaces, telescopic SafeLadder and traversing SafeLadder along a SafeAccess rail.

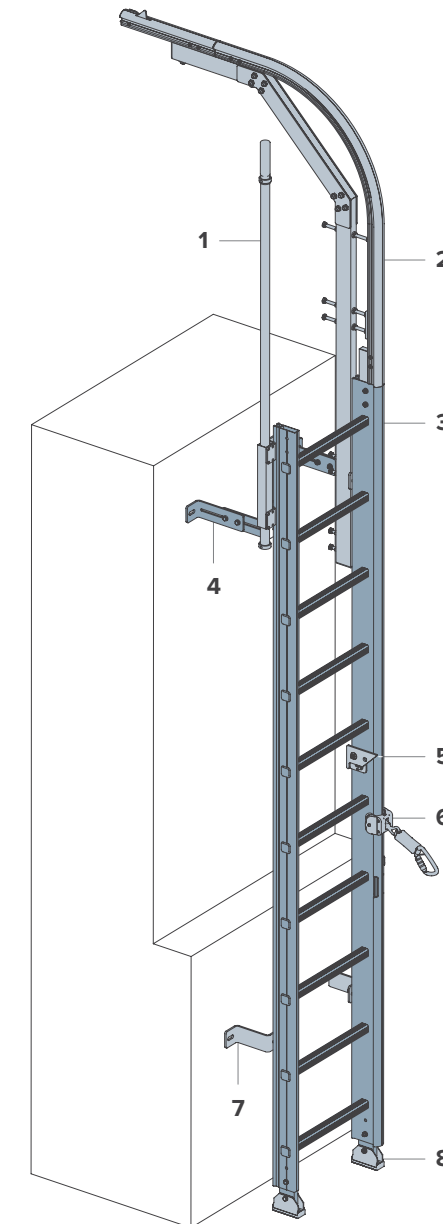
This ladder type is much safer than traditional safety hoop ladders. A foot rest is installed every 10m (33').

1. SAL245
2. SAL255
3. SAL201
4. SAL211
5. SAL235
6. RHF518-SLPRO
7. SAL216
8. SAL020

GRANVIA 4

Trolley equipped with energy absorber.

RHF518-SLPRO



ADVANTAGES

- Anchor points for every application
- 1 or 2 users depending on model and standard
- Undeformable
- Compatible with Fallprotec fixing brackets
- Stainless steel
- Abseiling solutions
- Possibility of custom-made solutions with the Fallprotec's engineering department

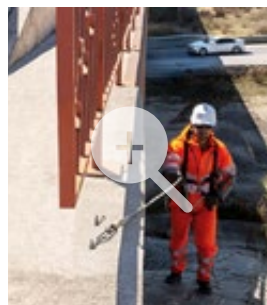


Compliant with
EN 795:2012 Type A
CEN/TS 16415:2013
ASSP/ANSI Z359.18

Applications



Case Studies



Click on the picture to see all case studies related to this product.

Videos



Click on the picture to watch the full video and others related to this system in our YouTube channel



Twinfix anchor point for two users

With a breaking strength above 30kN (5.620 lbf) it can stop a fall without any permanent deformation.

Reliable model for suspended rope access. Can be installed on ground, wall or ceiling.

LDV057



Twinfix XL anchor point for two users

With a breaking strength above 30kN (5.620 lbf) it can stop a fall without any permanent deformation.

Reliable model for suspended rope access. The large opening of the anchor point facilitates the connection of big carabiners. Can be installed on ground, wall or ceiling.

On concrete slab, the anchor point can be fixed with two independent bolts. On a metallic structure, it can be fixed with one central bolt.

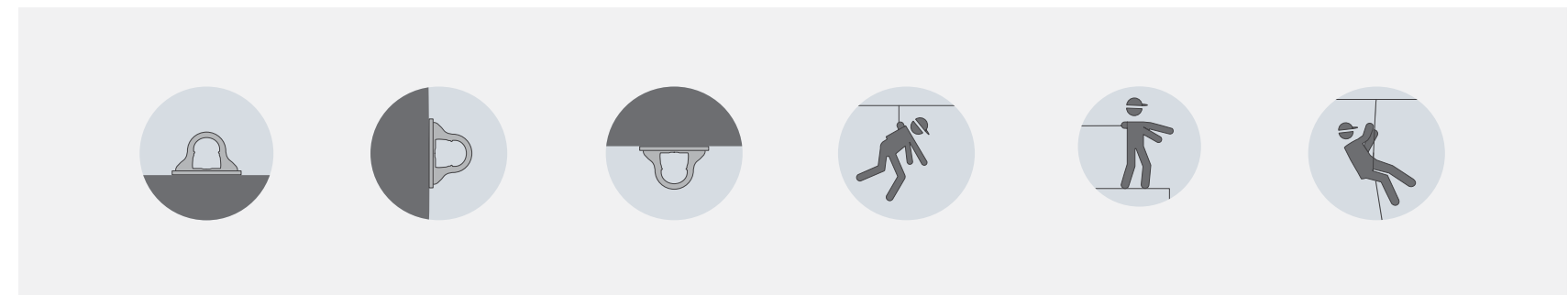
PTA016



Secura anchor point for two users

The Secura anchor point is permanently installed on a building or other structure to protect people that are at risk of falling when carrying out maintenance work. Certified for 2 users, this solution in robust stainless steel can be used on ground, wall and ceiling as well as for abseiling.

LDV140



ADVANTAGES

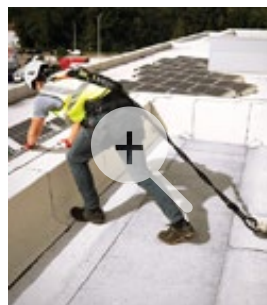
- Anchor points for every application
- 1 or 2 users depending on model and standard
- Undeformable
- Compatible with Fallprotec fixing brackets
- Stainless steel
- Possibility to retrofit on installation
- Possibility of custom-made solutions with the Fallprotec's engineering department

Compliant with
EN 795:2012 Type A
CEN/TS 16415:2013
ASSP/ANSI Z359.18

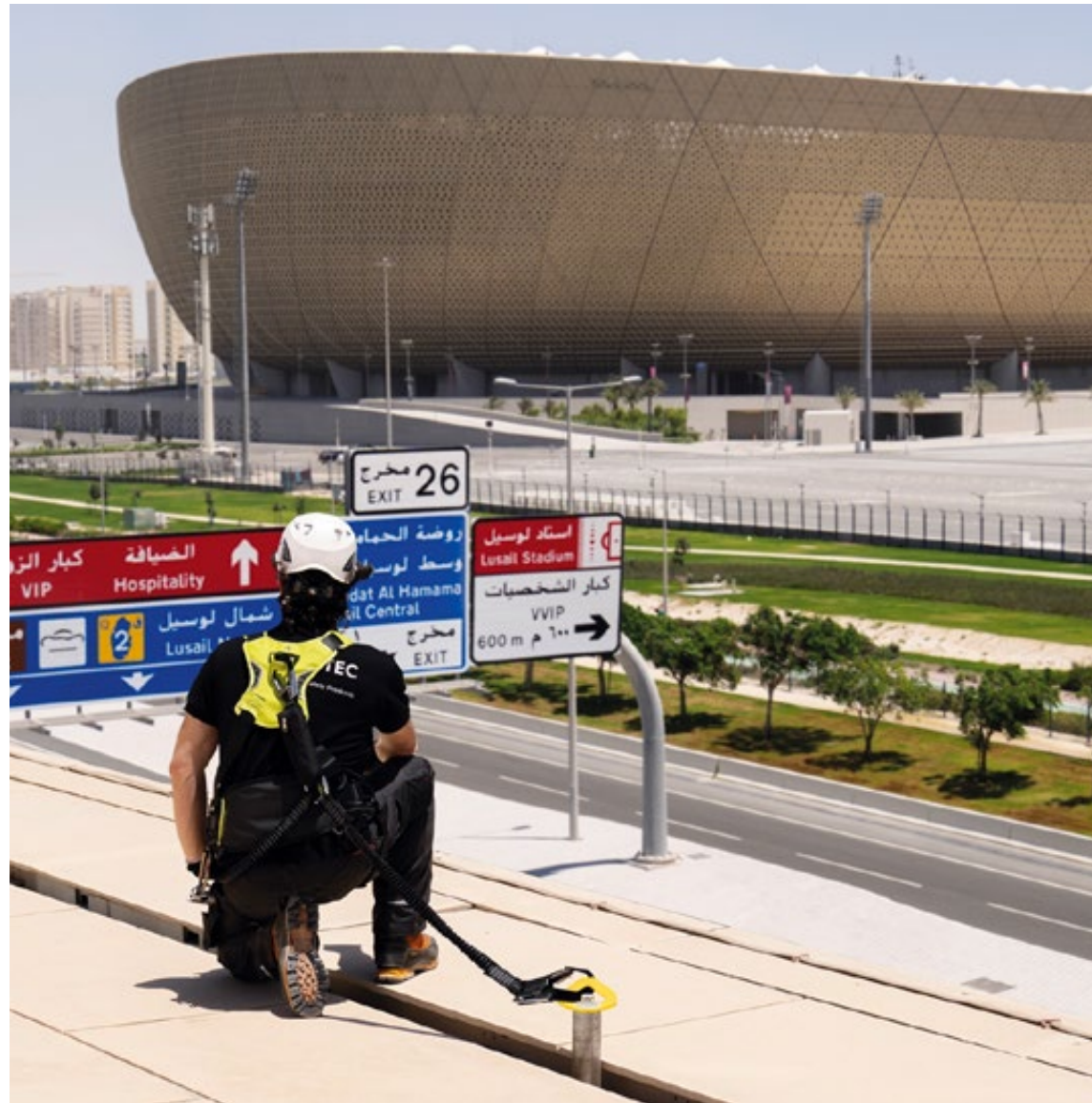
Applications



Case Studies



Click on the picture to see all case studies related to this product.



Videos



Click on the picture to watch the full video and others related to this system in our YouTube channel

SafeAnchor



The SafeAnchor is a spring loaded and discreet anchoring point to be fitted in aesthetic facilities.

The anchor is embedded in concrete and the anchoring eye appears by a simple pressure on the device.

Can be installed on ground and wall configuration.

Neat system to secure openable windows.

LDV055



Rotating high visibility anchor point

Yellow anchor point for 2 users in stainless steel and powder coated to increase visibility. Fixed by one M12 (1/2") bolt the anchor point is rotative to follow the end user. It can be installed on ground and wall.

LDV029



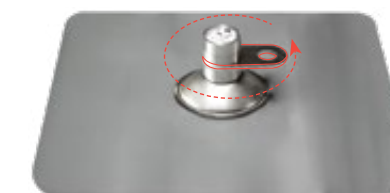
Anchor point with large opening for two users

The XL eyeplate enables the connection of big connectors thanks to its large opening. Usable on ground and wall.

PTA026



SpotAnchor



The SpotAnchor is installed on hot deck roofs to secure specific areas such as access zones, building corners or smaller roofs. The high resistance toggle bolt ensures long-lasting fixing to the corrugated metal sheet and minimises potential thermal bridges. The roofing collar, in bitumen or PVC-P, is pre-fitted in the factory to guarantee the waterproofness. The rotating anchor point follows the movement of the user.

LDV052



ADVANTAGES

- Easy and quick to put on
- Two type "A" anchoring points
- Energy absorbing
- Made in EU

Compliant with

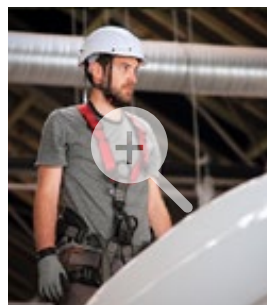


EN 362:2005 | EN 358:2003
EN 361:2003 | EN 355:2003
EN 365:2005 | EN 813:2009
EN 360:2002

Applications



Case Studies



Click on the picture to see all case studies related to this product.



Videos

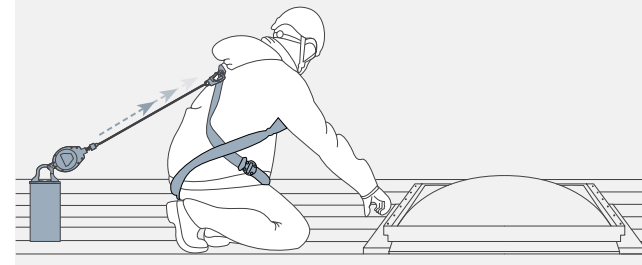


Click on the picture to watch the full video and others related to this system in our YouTube channel

Ultra-compact blocks and lanyards

Complete range of retractable fall arresters from 2 to 60 meters. Available with webbing strap or galvanised steel cable. The spring mechanism keeps a constant tension on the lanyard, thus facilitating the movement of the end user.

IHWB2 / IHWS9 / IHRA / HAR016



Prolight Harness

The emblematic harness of Fallprotec is lightweight and equipped with pads for the highest level of comfort. The operator can work all day without feeling any pressure point.

HAR001 / HAR002 / HAR003



Multifunctional full body harness and single elastic lanyard with energy absorber

5 anchor points, suited for rope access and rescue, it is the typical companion of many industrial climbers and service technicians. The single elastic lanyard of 2m with energy absorber connects safely the user to any Fallprotec fall arrest system.

The integrated energy absorber reduces the forces transmitted to the user to max. 6kN. Since it is elastic, the lanyard adapts to the movements of the user, letting them evolve freely along the lifeline or in the vicinity of an anchor point.

HAR066 / HAR067 / HAR068 / HAR010



Working seat, automatic braking descender and secondary fall arrest device

This assembly enables a safe and comfortable work at height for rope access specialists.

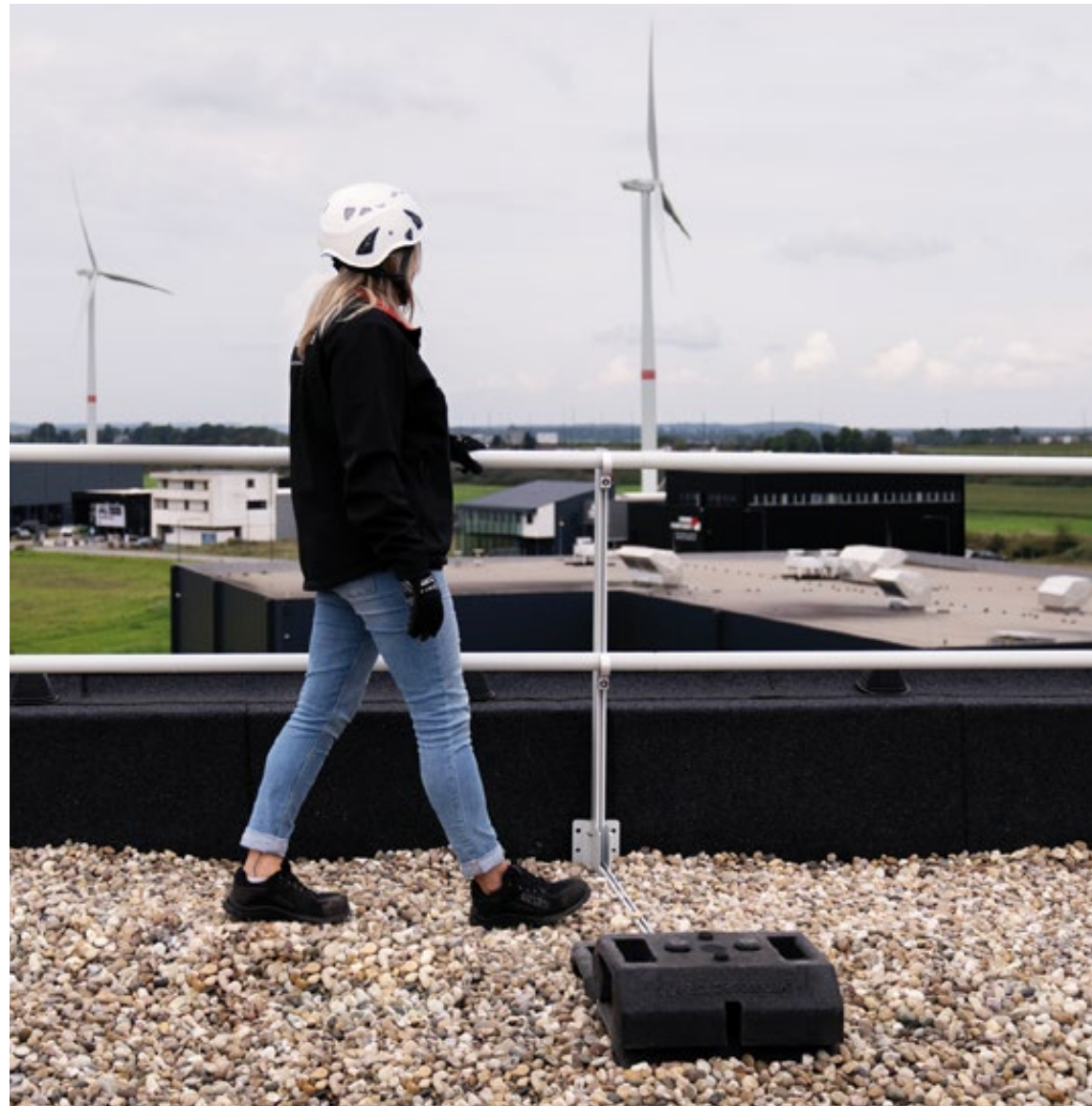
The harness and seat are ergonomic, maintaining the position of the user without straining the muscles. The harness follows the movements of the user, giving them more freedom. The fall arrest equipped with an energy absorber blocks automatically in case of a fall. The descender gives full freedom of movement in the vertical axis.

HAR014 / HAR023 / HAR095



ADVANTAGES

- Powder coated aluminium sea air resistant
- Can be installed on all flat roofs, parapets, steel decks and standing seams
- Inclined uprights to become invisible from ground level
- No penetration of the roof membrane



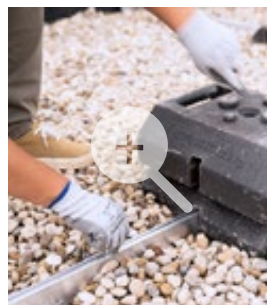
Compliant with

EN 14122-3
EN 13374
NF E85-015
BS 13700
OSHA 1910.29 / 1926.502

Applications



Case Studies



Click on the picture to see all case studies related to this product.

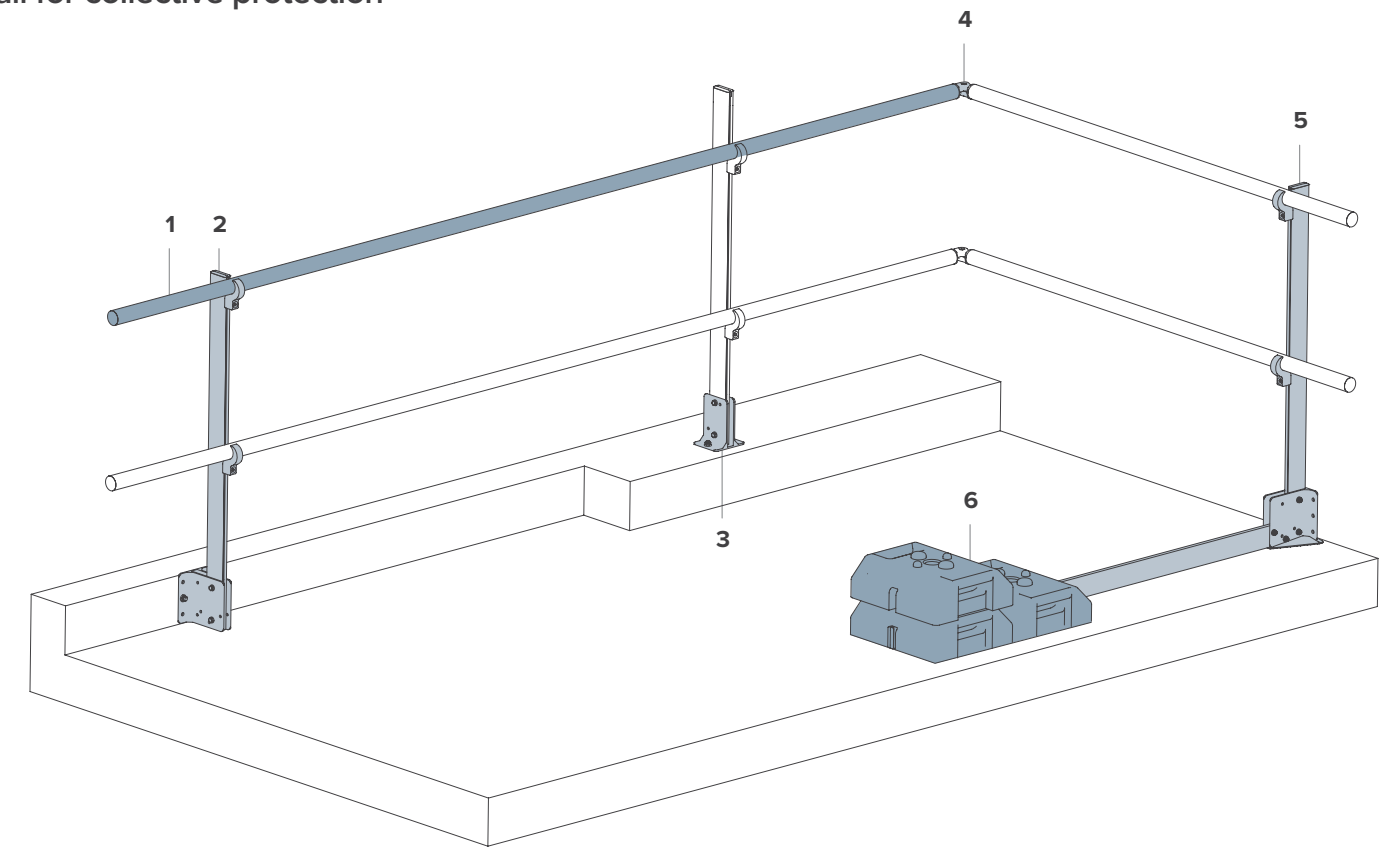
Videos



Click on the picture to watch the full video and others related to this system in our YouTube channel

Set of guardrail for collective protection

1. GUA030
2. GUA001
3. GUA054
4. GUA040
5. GUA020
6. GUA027



The guardrail is the recommended fall protection device in high traffic areas. It serves as a protective barrier, allowing users to safely access a specific place to carry out work, it also delimits dangerous areas. It is installed along the perimeter of the roof or around skylights which allows easy access without having to equip oneself with protections against falls from height (PPE).

Fallprotec guardrails are not intended for the protection of areas accessible to the public.



Adjustment of the sub-rail is possible on the upright to standardize the intervals according to the height of the parapet.

ADVANTAGES

- For 2 users
- Span of 1,5m (4.9') for abseiling
- 1,7kg/m (1.14 lbs/ft)
- Low deflection
- Anodized aluminium sea air resistant
- Absorbs thermal expansion / contraction
- Can be powder-coated in custom-chosen RAL colours
- Possibility of custom-made solutions with the Fallprotec's engineering department

Compliant with
EN 792:2012 Type D
CEN/TS16415:2013

Applications



Case Studies



Click on the picture to see all case studies related to this product.



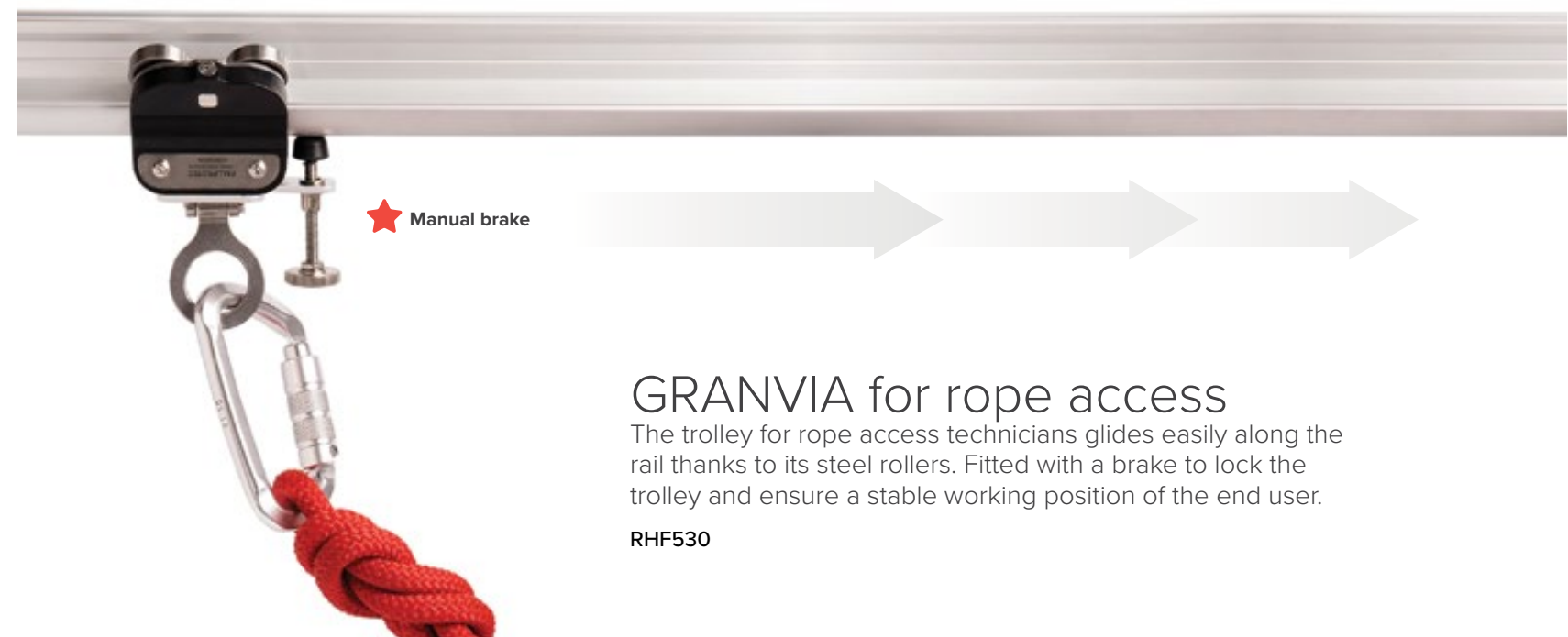
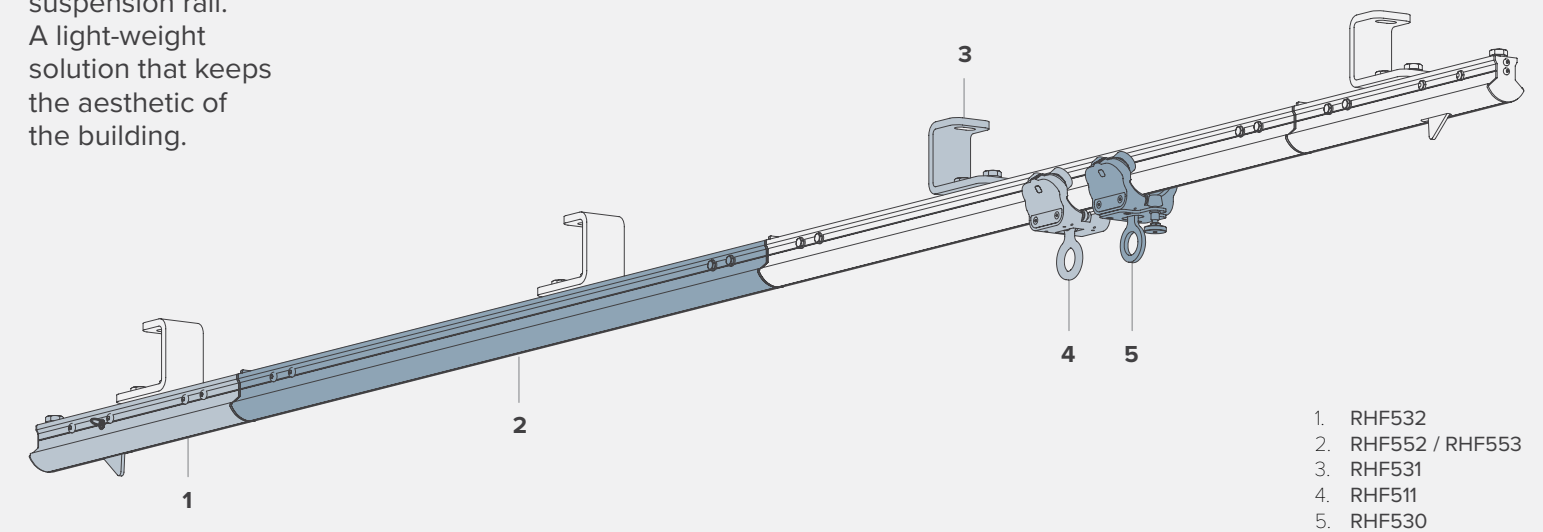
Videos



Click on the picture to watch the full video and others related to this system in our YouTube channel

Horizontal SecuRail Pro for abseiling

The SecuRail Pro is a rigid and versatile suspension rail. A light-weight solution that keeps the aesthetic of the building.



GRANVIA for rope access

The trolley for rope access technicians glides easily along the rail thanks to its steel rollers. Fitted with a brake to lock the trolley and ensure a stable working position of the end user.

RHF530

ADVANTAGES

- Aluminium rail 5 kg/m (3.35 lbs/ft)
- Powder coated sea air resistant or anodized
- Custom-made brackets
- The rail can be bended to match building facades or internal structures and slopes up to 70°
- Manual, motorized or battery operated trolleys. Active climbing system for important slopes
- Compatible with traversing ladders, rope access technicians, RopeClimber and suspended platforms
- Powder coated special RAL colours on request
- Distance between brackets 3m (9.84 ft) trolley capacity WLL 400kg (882lbs)
- Possibility of custom-made solutions with the Fallprotec's engineering department

Compliant with

EN 1808:2015 | BS8610:2017
ASME/ANSI-A120.1-2014 & IWCA I-14.1

Applications



The SafeAccess for suspension work is an efficient height access system for facade maintenance and cleaning.

Highly versatile, it can be installed in building entrances, atriums, courtyards and on the building main facades. Suspended access on structures of 5 to 300m (15 to 900') height.

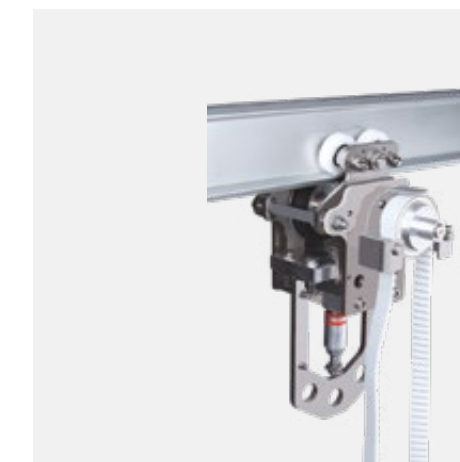
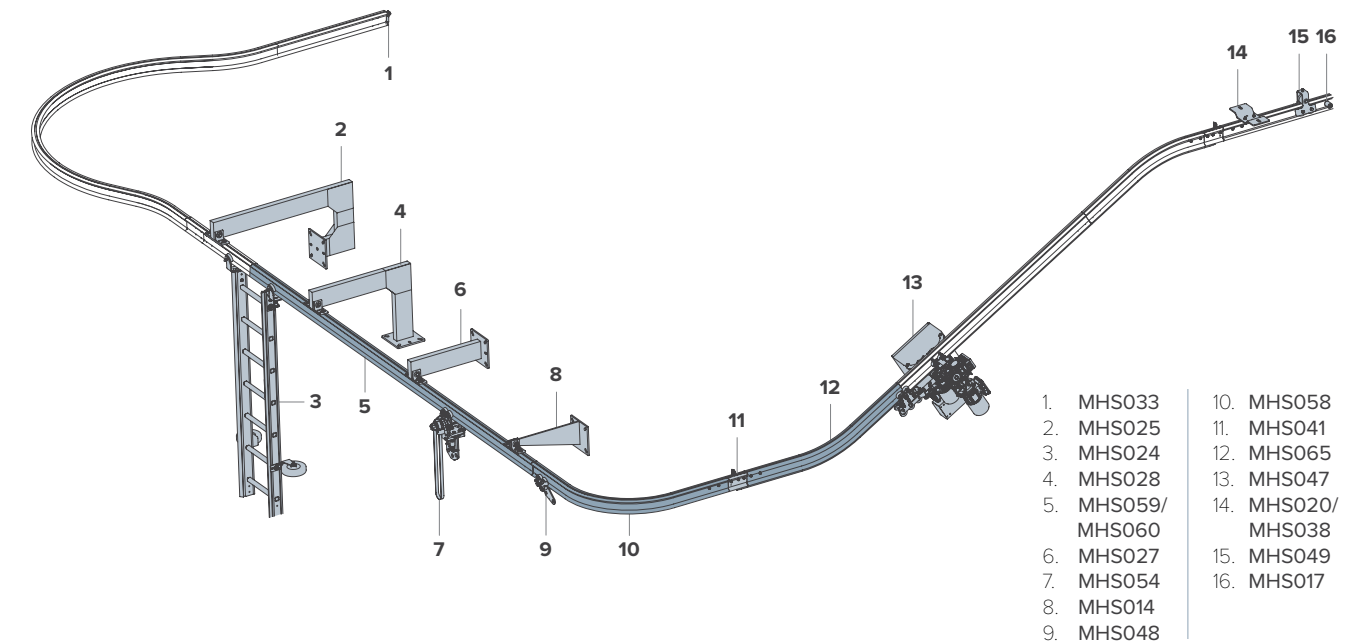
The track can be bended and powder coated in any RAL colour.

The Climbing SafeAccess is installed on sloped facades or atriums for the maintenance and cleaning of the building. A high resistance stainless steel chain is inserted through the bottom channel of the rail.

The trolleys roll on the flange of the rail. Manually, motorized or battery operated trolleys are used for horizontal movements.

The climbing trolley with pinion can climb slopes up to 70°. A chain based design is the most reliable system for installations with an important slope.

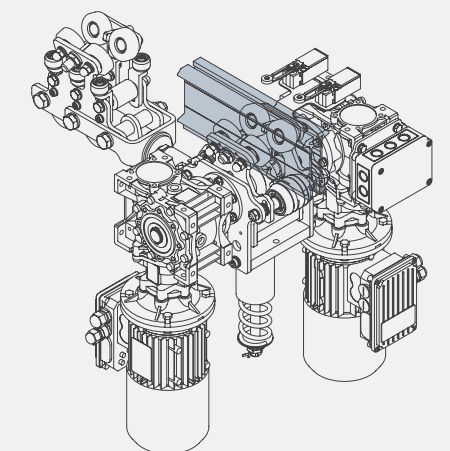
SafeAccess Horizontal and climbing with trolleys



NAV 1 Trolley manually operated by drive belt

Compatible with the RopeClimber.

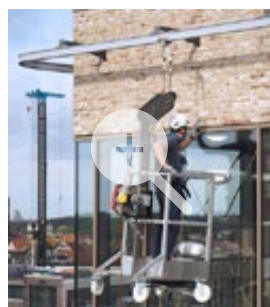
MHS054



Trolley NAV 6

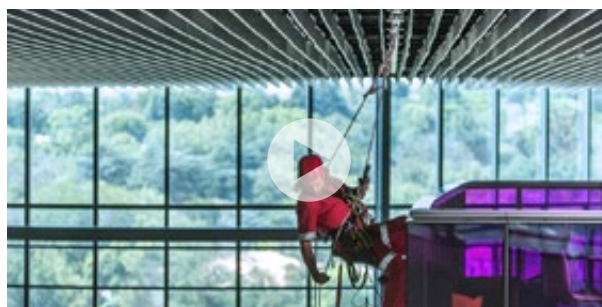
The trolley equipped with 2 independent electric engines for the highest level of safety. WLL 400Kg (881lbs).

Case Studies



Click on the picture to see all case studies related to this product.

Videos



Click on the picture to watch the full video and others related to this system in our YouTube channel

ADVANTAGES

- Aluminium rail (5kg/m - 3.35 lbs/ft)
- Discreet solution hidden in the ceiling, well suited for architectural buildings
- Compatible with rope access technician, RopeClimber and suspended platforms
- Aluminium mill finished or powder coated on demand
- Possibility of custom-made solutions with the Fallprotec's engineering department

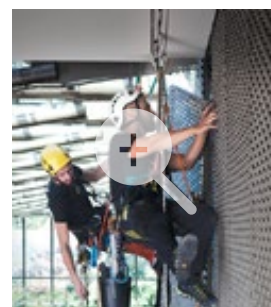


Compliant with
EN 1808:2015 | BS8610:2017
ASME/ANSI-A120.1-2014 & IWCA I-14.1

Applications

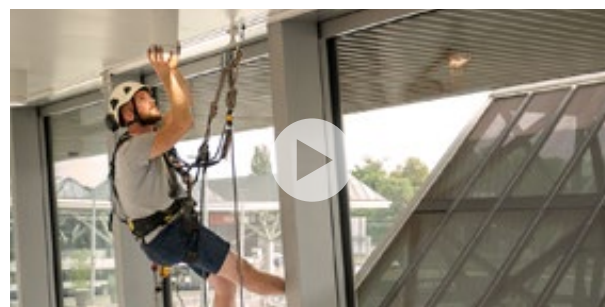


Case Studies



Click on the picture to see all case studies related to this product.

Videos

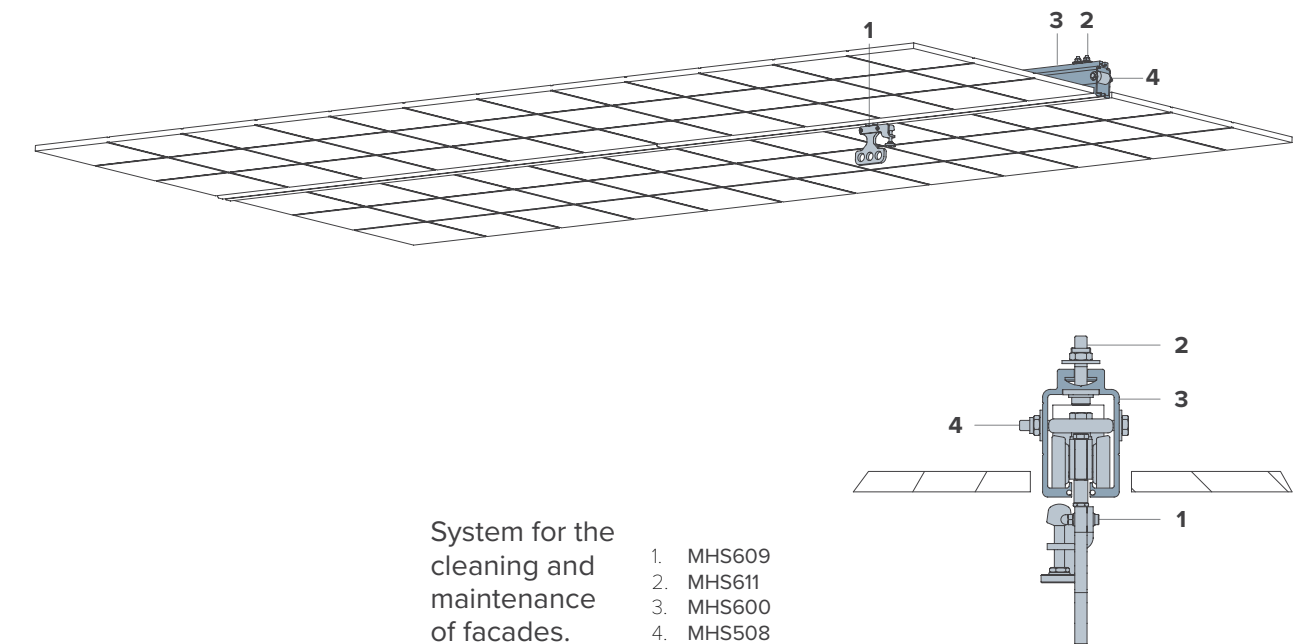


Click on the picture to watch the full video and others related to this system in our YouTube channel

SafeAccess C Horizontal concealed in ceiling with abseiling trolley

The SafeAccess C is a discreet access system that is concealed in a technical ceiling or a soffit. The rail integrates harmoniously the aesthetics of the building. The track can be bent and powder coated in any RAL colour. Custom-made brackets enable to align the rail and the ceiling. The trolleys roll in the inner channel of the rail.

Manually, motorized or battery operated trolleys are used for horizontal movements. Compatible with rope access technicians, the RopeClimber and suspended platforms.

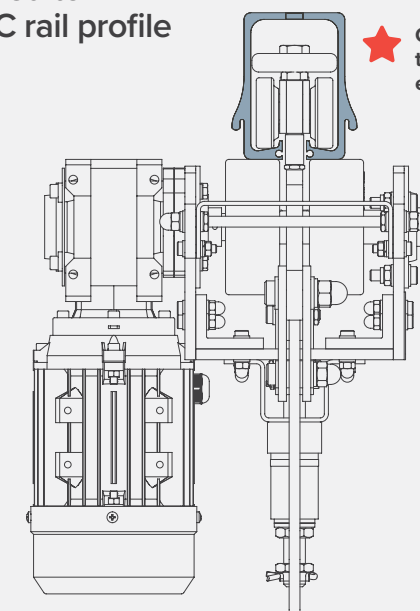


System for the cleaning and maintenance of facades.

- 1. MHS609
- 2. MHS611
- 3. MHS600
- 4. MHS508

Pilot 2 attached to SafeAccess C rail profile

Motorised trolley for the suspension of cradles and RopeClimber lifting machine.



★ Controlled from the suspended equipment



Pilot 1 Trolley manually operated by drive belt

Compatible with the RopeClimber.

MHS503

ADVANTAGES

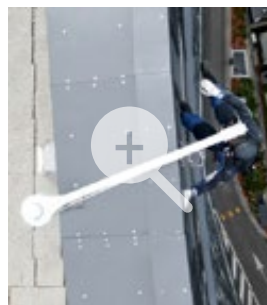
- Rope access: 150kg (330 lbs)
- Material hoist: 200kg (440 lbs)
- Lifetime 2500 hours
- Used outdoor and indoor IP54 Isolation class F
- Capacity with one battery: 200m (656 ft) lift
- Remote control, remote capacity up to 150m (492 ft)
- Lightweight (10kg - 22 lbs)
- Temperature in operation -10 to 40°C (14 to 104°F)
- Made in EU

Compliant with
Directive 2006 / 42 / EC

Applications



Case Studies



Click on the picture to see all case studies related to this product.



Videos



Click on the picture to watch the full video and others related to this system in our YouTube channel

The AccessClimber is a motorized, self-contained device for rope access by a competent person. The compact, lightweight device is attached to the rope access technician's harness, providing rapid, effortless access to the work area.

The AccessClimber is used in combination with PPE such as harnesses, helmets, safety ropes and overspeed fall arresters. The AccessClimber can also be used as a hoist to lift equipment, in which case it is attached to a davit or to the ground with a pulley block fixed to the davit.



★ The AccessClimber is fitted with a screen summarizing all important information (temperature of the device, speed, battery and machine status, mileage, etc).

ADVANTAGES

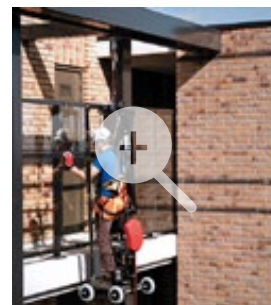
- ø12mm (0.4") textile cable 79kN (17,76 lbf) breaking strength
- Weight of textile cable: 112 gr/m (0,075 lbs/ft)
- Lifting speed up to 8m/min (26ft/min) with a working load of 240kg (529 lbs)
- Lifting speed up to 12m/min (39ft/min) with a working load of 160kg (353 lbs)
- Can be used jointly with any system with a minimum WLL of 240kg (529 lbs), like the SafeAccess suspension rail or a davit system
- Autonomy up to 8 working hours
- Usable by anyone with a half-day training

Compliant with
EN 1808:2015 | EN60204-1
Directive 2006 / 42 / EC

Applications



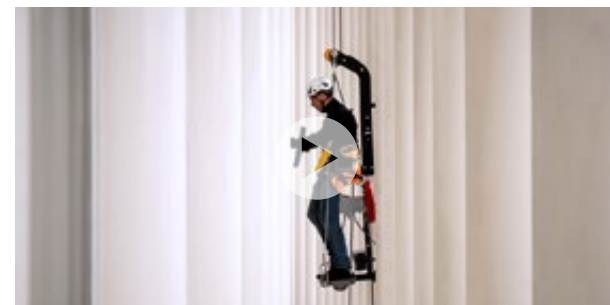
Case Studies



Click on the picture to see all case studies related to this product.



Videos



Click on the picture to watch the full video and others related to this system in our YouTube channel

RopeClimber Standing chair (picture on the left)

The Standing chair is a hybrid system allowing the user to work seated as well as standing, so the worker has a wide range of motion and of reach, including over his head. The position of the RopeClimber hoist, below the centre of gravity of the person, increases their "in air" stability. A set of wheels makes it easy to transport.

Can be used also with a SafeAccess C rail or a SafeAccess rail

- Safety features: fall arrest device on the secondary rope, overload and top limit switch
- Push buttons control box with emergency stop
- Easy use. Training as professional climber is not required
- LED that informs about the state of charge of the battery as well as safety features
- Versatile equipment
- Cost-efficient solution
- Battery powered
- Lightweight and compact
- Optimized time of installation
- Ergonomic and comfortable for people working at height
- Easily foldable to be transported in a van
- All accessories are according to EN1808:2015



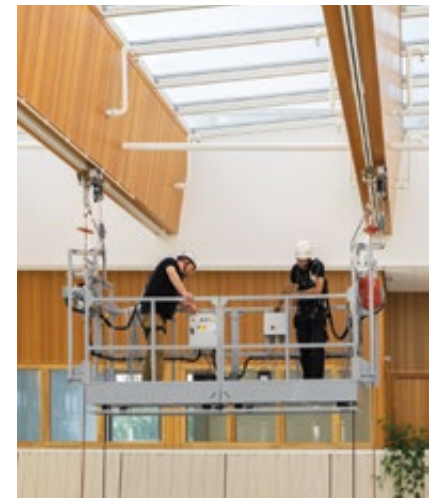
Monocradle

It is one of the lightest cradles available on the market (deadweight 100kg-220lbs). Battery driven, the RopeClimber hoist solves the hassle linked to control cables and electric cables. This system also works on textile wires, which are easier to handle than cables. Rated load of 20 kg-262 lbs.

Two-person-cradle

This suspended platform is operated using two main lines and two safety lines. It is one of the lightest cradles available on the market (deadweight 190kg-418lbs). Battery driven using a RopeClimber hoist for more manoeuvrability. Rated load of 240 kg - 529 lbs.

In the photograph, a custom-made two-person cradle.



ADVANTAGES

- Discrete, easily hidden lightweight solution
- Usable by rope access specialists, RopeClimber hoists and cradles alike
- Bespoke designs upon request
- Possibility of custom-made solutions with the Fallprotec's engineering department

Compliant with
EN 1808:2015
BS8610:2017

Applications

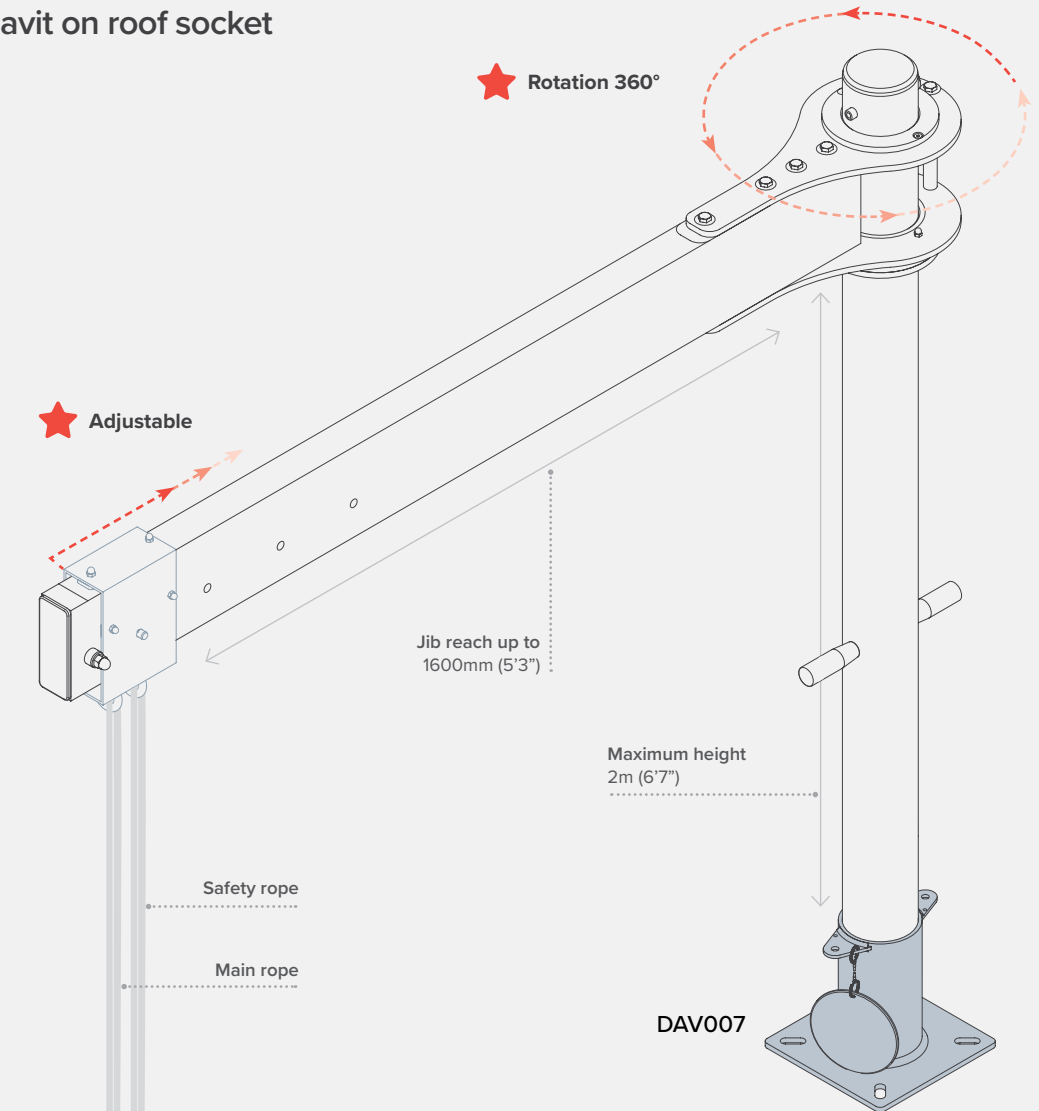


Removable davit designed to suspend a worker to carry out maintenance or cleaning work on a facade. The davit can be used by a rope access specialist, by a RopeClimber chair or by a single Ropeclimber cradle. The davit is fixed to the roof with sockets installed permanently on the perimeter of the building. At the end of the work, the davit is dismantled and stored.

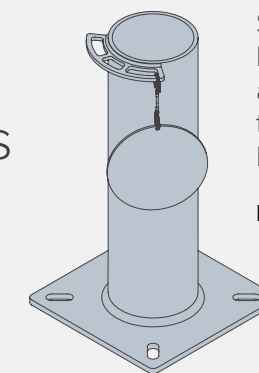
The davit is made of:

- An aluminum rotating jib, two anchor points, the main rope and the safety rope
- Adjustable anchor points
- An aluminum mast
- Stainless steel sockets fixed on the roof slab, a cover closes the socket when not in use.
- Stainless or galvanized steel sockets fixed on the wall or on parapet

Davit on roof socket

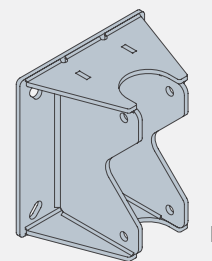


Other socket options



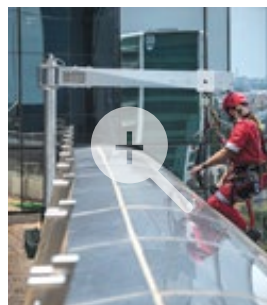
Socket 260mm (10") height with cover and anchor points to be used during Davit installation.

DAV007



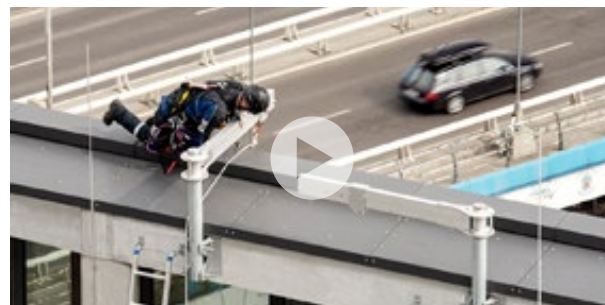
DAV009

Case Studies



Click on the picture to see all case studies related to this product.

Videos



Click on the picture to watch the full video and others related to this system in our YouTube channel

ADVANTAGES

- Light solution easy to move.
- Respects the aesthetics of the building
- Trolley can be operated by battery or manually
- Usable by rope access specialists, RopeClimber hoists and cradles alike
- Maximum working load of 240 kg (529 lbs) for manual trolleys and 480kg (1058 lbs) for motorized versions
- Jib reach up to 1560mm (5'1") for manual trolleys and up to 2900mm (9'6") for motorized versions
- Possibility of custom-made solutions with the Fallprotec's engineering department

Compliant with
EN 1808:2015 | EN60204-1
Directive 2006 / 42 / EC

Applications



Case Studies



Click on the picture to see all case studies related to this product.

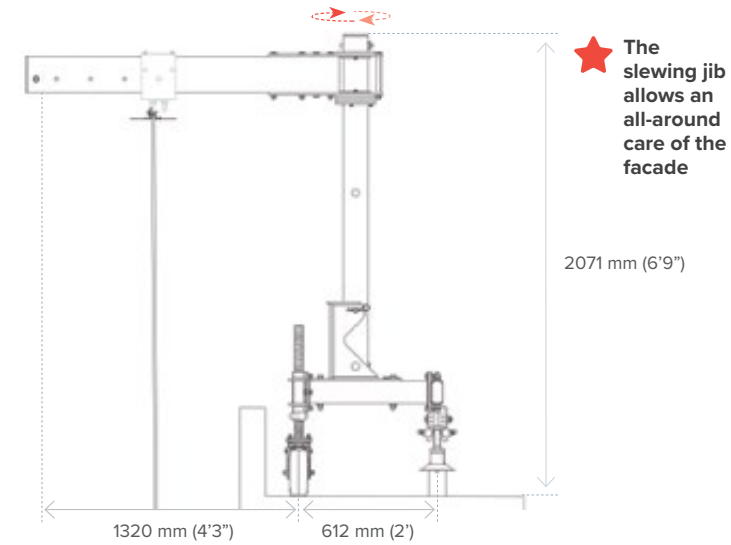


Videos

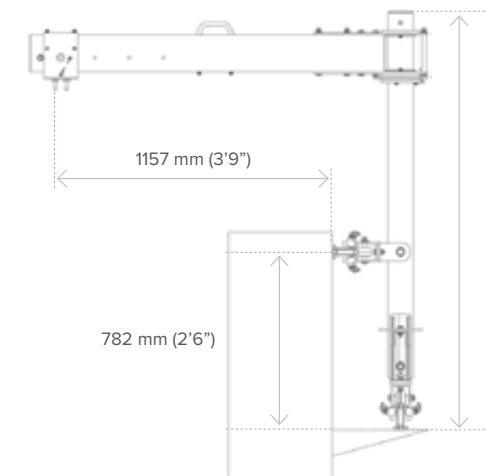


Click on the picture to watch the full video and others related to this system in our YouTube channel

Mobile davit on roof



Mobile davit on parapet



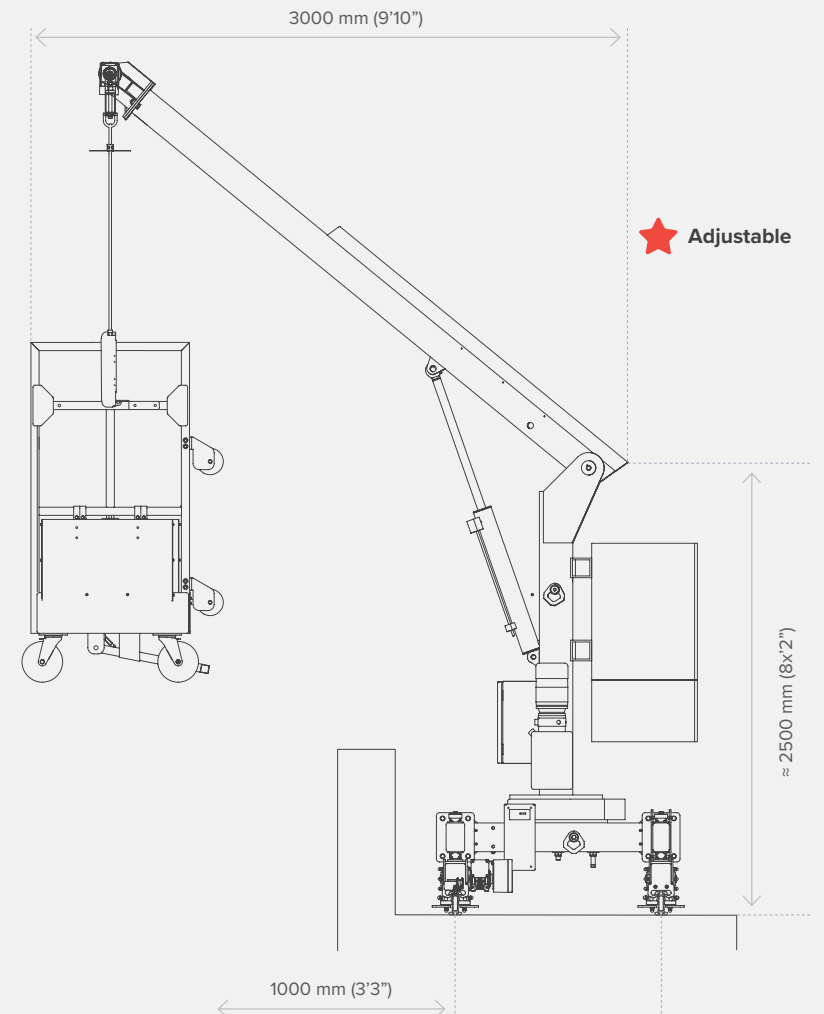
The stability of the trolley is ensured by two trolleys taking up the tilting moment thanks to the aluminum Safeaccess rail fixed on posts or brackets to the structure of the roof or the parapet. In parking position, the mast is tilted horizontally and then removed from the trolley. In service, the jib is pivoted on the roof side to hang the synthetic ropes to the 2 anchor points.

RFC003 / RFC001

Motorized mobile davit on roof

Powered trolleys are available for larger surfaces of facade. The trolley is powered by a battery, no need to provide electrical power plugs on the roof, or by main supply. The trolley is controlled from the cradle by an HF transmission.

RFC004



Luxemburg
FALLPROTEC SA

2-4 Rue Gustave Loosé - ZARO
8346 Grass
T: +352 26 55 09 30
F: +352 26 55 09 30 55
E: marketing@fallprotec.com

Spain
FALLPROTEC SL

C/ Eduard Calvet i Pintó 4
Pol. Ind. Vallmorena
08339 Vilassar de Dalt
T: +34 93 114 22 31
E: info@fallprotec.es

Italy
FALLPROTEC SRL

Via Giovanni Falcone 23
24050 Zanica Bergamo
T: +39 375 713 8515
E: va@fallprotec.com

USA
FALLPROTEC USA

3500 S Dupont Hwy
Dover, DE 19901
T: +1 205 388 0548
E: usa@fallprotec.com

Middle East
FALLPROTEC ME

JLT, Mazaya Business Avenue,
Tower BB1, Oce 1108
P. O. Box 487115
United Arab Emirates
T: +971 4 399 3764
E: eh@fallprotec-me.com

